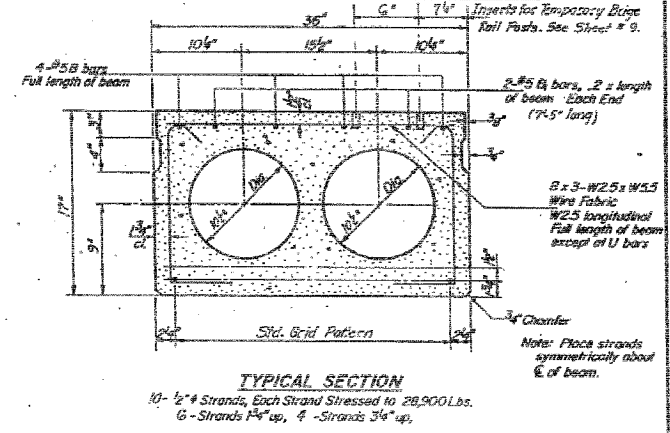
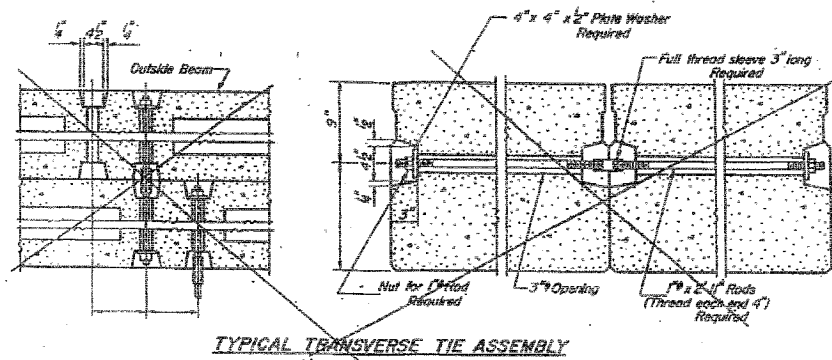
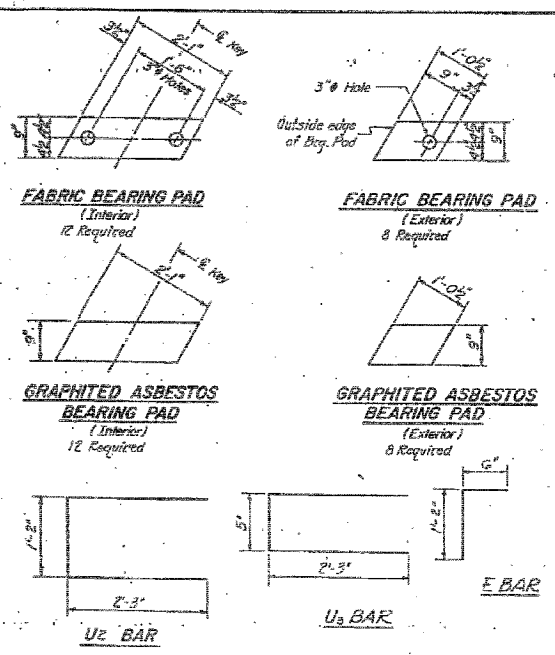
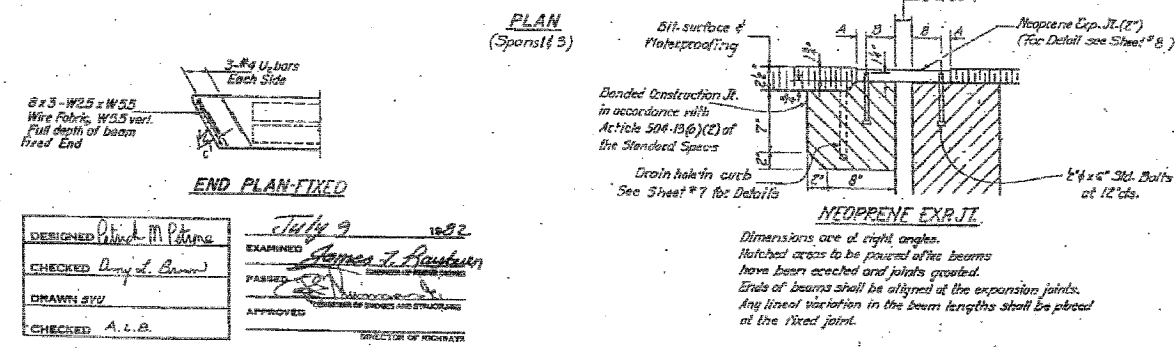
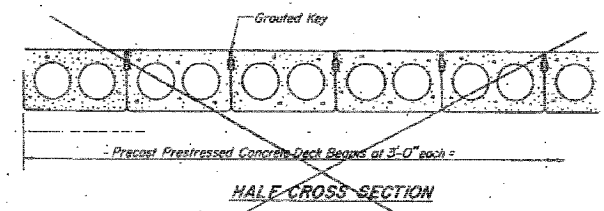
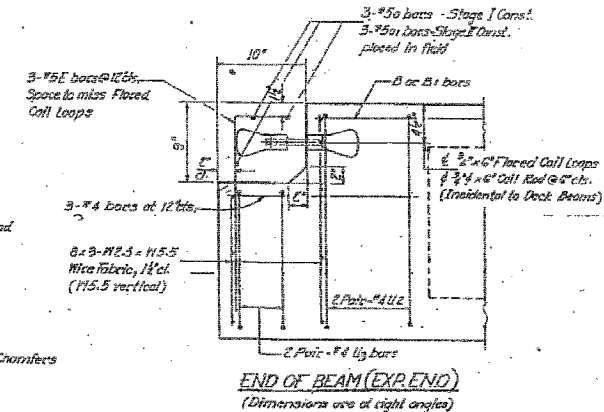
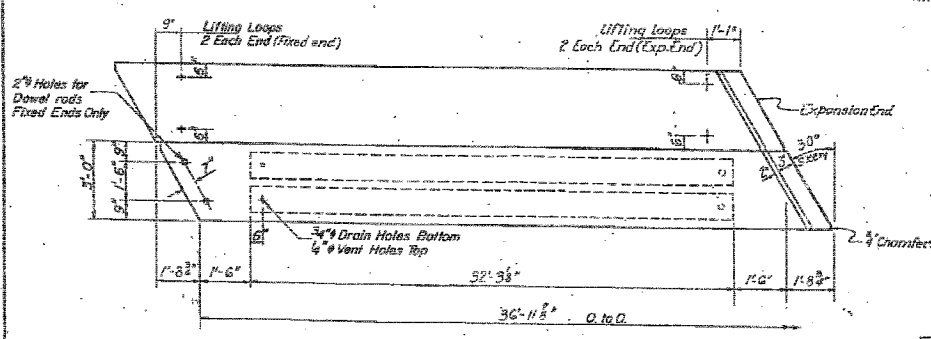


STATE OF ILLINOIS
DEPARTMENT OF TRANSPORTATION

DESIGNED BY	DATE	PROJECT NO.	SHEET NO.
ALEXANDER	7.4	14	14



17/4/23



NOTES

Prestressing steel shall be non-galvanized high strength, stress-relieved 7-wire strand, Grade 270. The nominal diameter shall be 1/2" and the nominal cross-sectional area shall be 0.153 sq. in. Lifting loops shall be 1/2" diameter, G x 25 class wire rope with fiber core and shall have a minimum ultimate tensile strength of 21,000 lbs. or 2 1/4" or 2 1/2" 270ksi strands as shown on Sheet #8. This cable in the reverse-to-assembly shall be tightened to a snug fit and the threads set. Fasteners that receive transverse tie bar on outside shall be filled with grout after transverse tie assembly is in place. Reinforcement bars shall conform to AASHTO M-31 or M-53, Grade 60. The bearing seal surfaces shall be adjusted by shimming to assure firm and even bearing. Two 8 fabric adjusting shims of the dimensions of the Exterior Bearing Pad shall be provided for each bearing. Keyway surfaces shall be cleaned to remove form oil or other bond breaking material prior to shipment of the beam. Cleaning shall be done by sandblasting the keyway areas between top of the beam and the bottom edge of the key.

BILL OF MATERIAL

Bar	No.	Size	Length	Shape
G	G	#5	16'-6"	
U	G	#5	2'-1.5"	
Precast Prestressed Concrete Deck Beams (11'-36")	Sq. Ft.		177G	
Reinforcement Bars	Pound		240	
Class X Concrete	Cu. Yd.		1.7	

SUPERSTRUCTURE SPANS 1 & 2
F.A.S. RT. 1907 SEC. 21 B-1
ALEXANDER COUNTY
STA. 281+60.00

DESIGNED BY	DATE	1882
CHECKED BY	DATE	1882
DRAWN BY	DATE	1882
CHECKED BY	DATE	1882



FOR INFORMATION ONLY

STATE OF ILLINOIS
DEPARTMENT OF TRANSPORTATION

EXISTING STRUCTURE PLANS

FILE NAME =	USER NAME = \$USER\$	DESIGNED - JMH	REVISED -	STATE OF ILLINOIS	EXISTING STRUCTURE PLANS	F.A.S. RTE.	SECTION	COUNTY	TOTAL SHEETS	SHEET NO.
#FILEL#		DRAWN - AEC	REVISED -	DEPARTMENT OF TRANSPORTATION		1907	21BR-1	ALEXANDER	82	32
	PLOT SCALE = \$SCALE\$	CHECKED - JMH	REVISED -							CONTRACT NO. 78032
	PLOT DATE = \$DATE\$	DATE - 03/04/08	REVISED -		SCALE: NONE	SHEET NO. OF SHEETS STA.	TO STA.	FED. ROAD DIST. NO. 7 (ILLINOIS) FED. AID PROJECT		