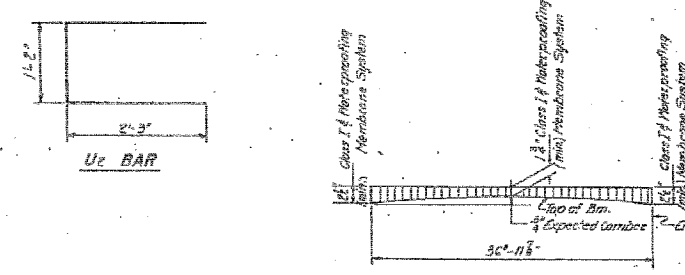
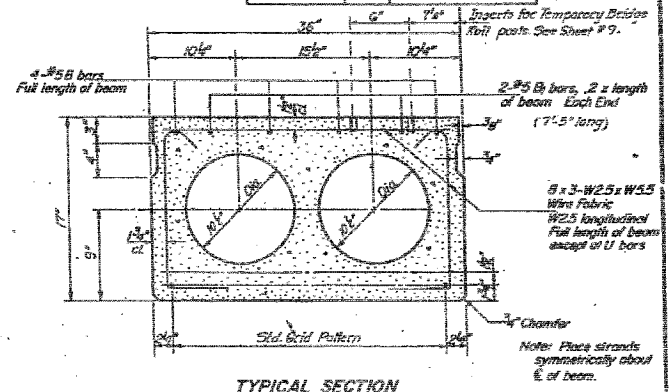
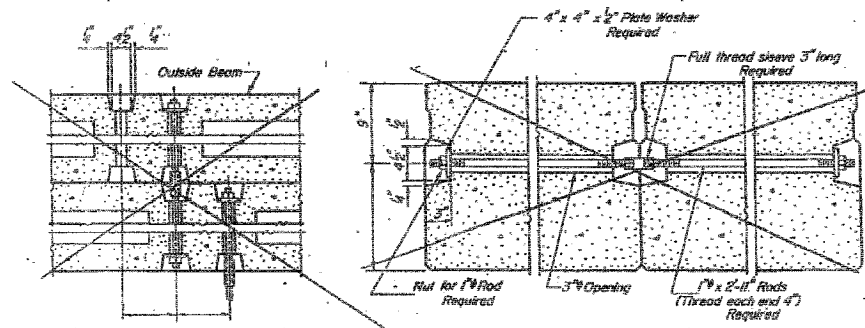
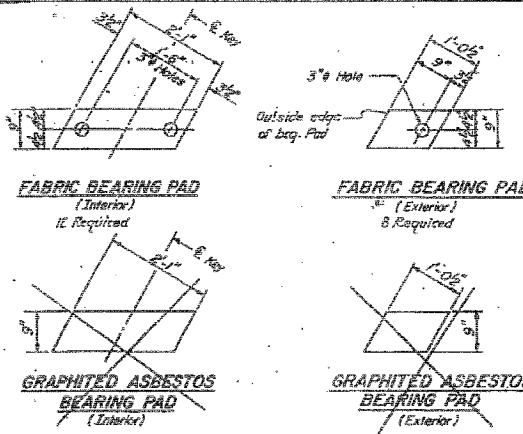


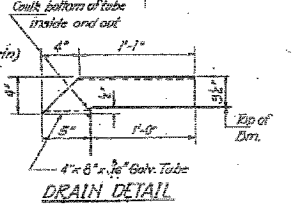
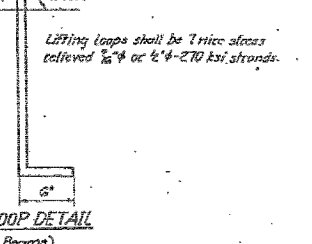
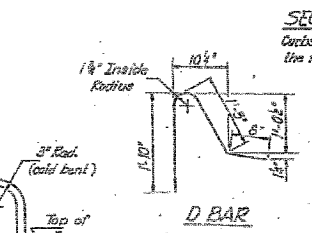
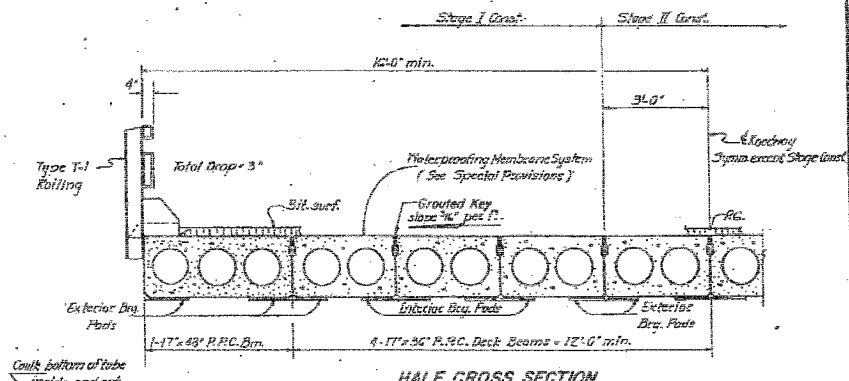
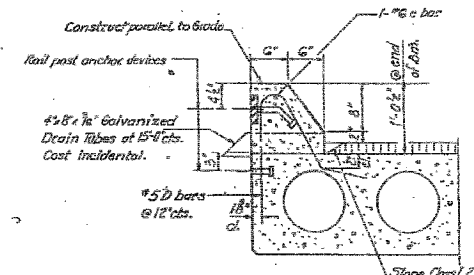
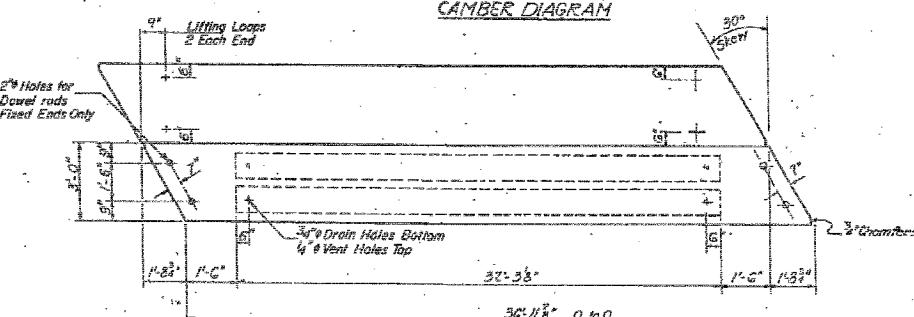
STATE OF ILLINOIS
DEPARTMENT OF TRANSPORTATION

Sheet No.	21B-1	Project No.	14	Sheet No.	11
Author	ALEXANDER	Checked	JA	Date	



TYPICAL TRANSVERSE TIE ASSEMBLY

TYPICAL SECTION



NOTES

Prestressing steel shall be non-galvanized high strength, stress-relieved 7-wire strand, Grade 270. The nominal diameter shall be 1/2" and the nominal cross-sectional area shall be 0.153 sq. in. Lifting loops shall be 1/2" diameter, E-25 class wire rope with fiber core and shall have a minimum ultimate tensile strength of 21,000 lbs. or 2" x 4" or 2" x 2" E-70 steel strands as shown. The E-70 steel strands assembly shall be lighted by a one-1/4" and the strands shall be plastic that resists moisture. It is on outside shall be filled with epoxy resin and cured in place.

Reinforcement bars shall conform to AASHTO M-31 or M-53, Grade 60. The bearing seat surfaces shall be adjusted by shimmying to assure firm and even bearing. Two 1/2" fabric adjusting shims of the dimensions of the Exterior Bearing Pad shall be provided for each bearing.

Keying surfaces shall be cleared to remove form oil or other bond breaking material prior to shipment of the beams. Cleaning shall be done by sandblasting the keyway across between top of the beam and the bottom edge of the key.

BILL OF MATERIAL

Bar	No.	Size	Length	Shape
Precast	Prestress Concrete Deck Beams (11' x 36")	1/2" x 3/4"	595	

Class X Concrete for curb blocks and bar reinforcement are listed on Sheet #10.

SUPERSTRUCTURE - SPAN 2
I.A.S. RT. 1907 SEC. 21B-1
ALEXANDER COUNTY
STA. 781+00.00

DESIGNED *P. M. M.*
CHECKED *D. J. B.*
DRAWN *S.V.*
CHECKED *A.L.B.*

EXAMINED *James T. Robinson*
APPROVED _____
DIRECTOR OF HIGHWAYS

July 9 1973

PD-3-R 6-15-60



FOR INFORMATION ONLY

STATE OF ILLINOIS
DEPARTMENT OF TRANSPORTATION

EXISTING STRUCTURE PLANS

FILE NAME = #FILE#	USER NAME = #USER#	DESIGNED - JMH	REVISED -	STATE OF ILLINOIS DEPARTMENT OF TRANSPORTATION	EXISTING STRUCTURE PLANS	F.A.S. RTE. 1907	SECTION 21B-1	COUNTY ALEXANDER	TOTAL SHEETS 82	SHEET NO. 34
PLOT SCALE = #SCALE#	CHECKED - JMH	REVISED -	CONTRACT NO. 78032							
PLOT DATE = #DATE#	DATE - 03/04/08	REVISED -	FED. ROAD DIST. NO. 7 ILLINOIS FED. AID PROJECT							
SCALE NONE	SHEET NO. OF SHEETS	STA. TO STA.								