

STATE OF ILLINOIS
DEPARTMENT OF TRANSPORTATION

ROUTE NO.	SECTION	COUNTY	TOTAL SHEETS	SHEET	SHEET NO.
F.A.P. 132	102BR-1	MASSAC	62	55	2
FED. ROAD DIST. NO. 7		ILLINOIS	FED. AID PROJECT		16 SHEETS

Contract #78032

SCOPE OF WORK

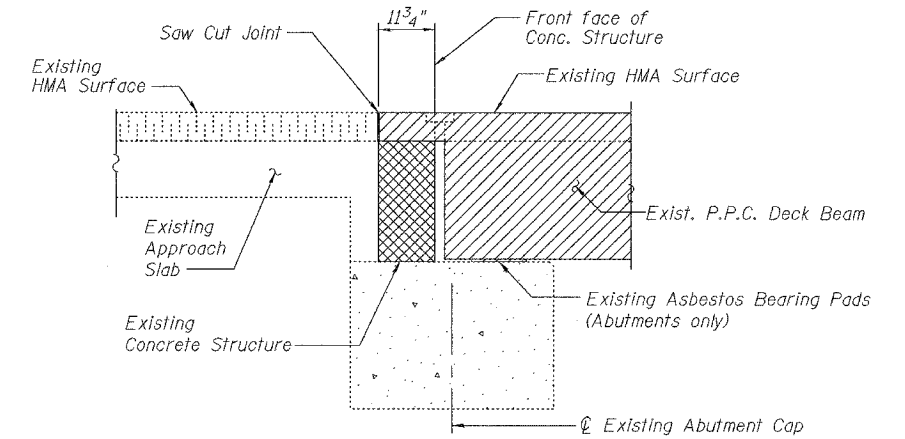
1. Remove existing surface, steel railing, deck beams, concrete structures, approach shoulder channel beams, and bearing pads.
2. Repair bearing seats and perform other repairs at abutments and pier as required.
3. Reconstruct a two-span P.P.C. deck beam superstructure with bituminous wearing surface and steel railing, Type SM. Reconstruct approach shoulders with P.C. bridge slabs with bituminous wearing surface and steel railing, Type SM.

GENERAL NOTES

1. Reinforcement bars shall conform to the requirements of ASTM A 706 Gr 60 (IL Modified). See Special Provisions.
2. Reinforcement bars designated (E) shall be epoxy coated.
3. Plan dimensions and details relative to existing plans are subject to routine variations. The Contractor shall field verify existing dimensions and details affecting new construction and make necessary approved adjustments prior to construction or ordering of materials. Such variations shall not be cause for additional compensation for a change in scope of the work, however, the Contractor will be paid for the quantity actually furnished based upon the unit price bid for the work.
4. Protective Coat shall not be applied to surfaces to which Waterproofing Membrane System is applied.
5. Concrete Sealer shall be applied to the abutments and pier where concrete repairs are performed.
6. No in-stream work will be allowed on this project.
7. The Contractor is advised that the existing PPC Deck Beams are in a deteriorated condition with reduced load carrying capacity. It is the Contractor's responsibility to account for the condition of the beams when developing construction procedures for removal and replacement of the superstructure.
8. If the Contractor's procedures for existing beam removal or placement of new beams involves placement of heavy equipment on the new deck beams, a detailed procedure shall be submitted to the Engineer for approval. The procedure shall include calculations, sealed by an Illinois Licensed Structural Engineer, verifying the structural adequacy of the beams for the proposed loads. Cost included with Precast Prestressed Concrete Deck Beams (21" Depth).
9. The minimum thickness of the HMA surface course shall be 1 1/2" and varies as required to adjust for the existing profile grade and beam camber.
10. Repair of the substructure shall be completed prior to placement of the new deck beams.

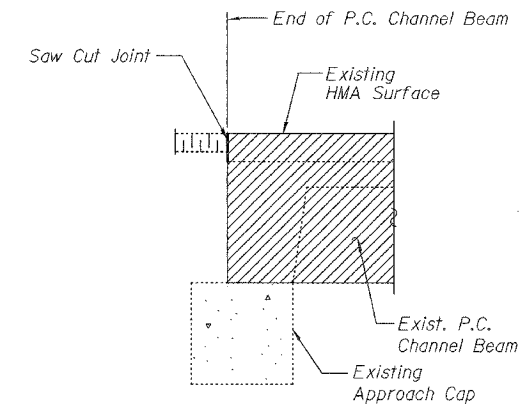
TOTAL BILL OF MATERIAL

ITEM	UNIT	SUPER	SUB	TOTAL
Hot-Mix Asphalt Surface Course, Mix "C", N90	Ton	29	-	29
Removal of Existing Superstructures	Each	1	-	1
Concrete Removal	Cu. Yd.	5.5	-	5.5
Concrete Structures	Cu. Yd.	7.0	-	7.0
Precast Concrete Bridge Slab	Sq. Ft.	366	-	366
Precast Prestressed Concrete Deck Beams (21" Depth)	Sq. Ft.	2,559	-	2,559
Reinforcement Bars, Epoxy Coated	Pound	1,200	-	1,200
Bar Splicers	Each	16	-	16
Steel Railing, Type SM	Foot	264	-	264
Name Plates	Each	1	-	1
Preformed Joint Strip Seal	Foot	84	-	84
Waterproofing Membrane System	Sq. Yd.	285	-	285
Concrete Sealer	Sq. Ft.	-	19	19
Epoxy Crack Injection	Foot	-	23	23
Removal of Existing Precast Concrete Units	Sq. Ft.	366	-	366
Structural Repair of Concrete (Depth equal to or less than 5 inches)	Sq. Ft.	-	19	19
Asbestos Bearing Pad Removal	Each	-	40	40



SECTION AT CENTERLINE ROADWAY

Note:
Horizontal dimension shown is at right angles to beam ends.



SECTION AT APPROACH SHOULDER

LIMITS OF EXISTING STRUCTURE FOR SUPERSTRUCTURE REMOVAL

Notes:
HMA removal over concrete structure included in the cost of Removal of Existing Superstructures.
Removal of concrete structure indicated by crosshatch included in the cost of Concrete Removal.
HMA removal over approach shoulder channel beam and removal of P.C. channel beams included in the cost of Removal of Existing Precast Concrete Units.
Existing bearing pads at abutments are made of graphited asbestos. The Contractor shall take appropriate precautions during the removal and disposal of these bearing pads.



DESIGNED	RLM
CHECKED	YSS
DRAWN	PRC
CHECKED	RLM

02/04/08

GENERAL STRUCTURE DATA
ILL. ROUTE 145 OVER MASSAC CREEK
F.A.P. ROUTE 132 - SECTION 102BR-1
MASSAC COUNTY
STATION 533+27.15
STRUCTURE NO. 064-0008