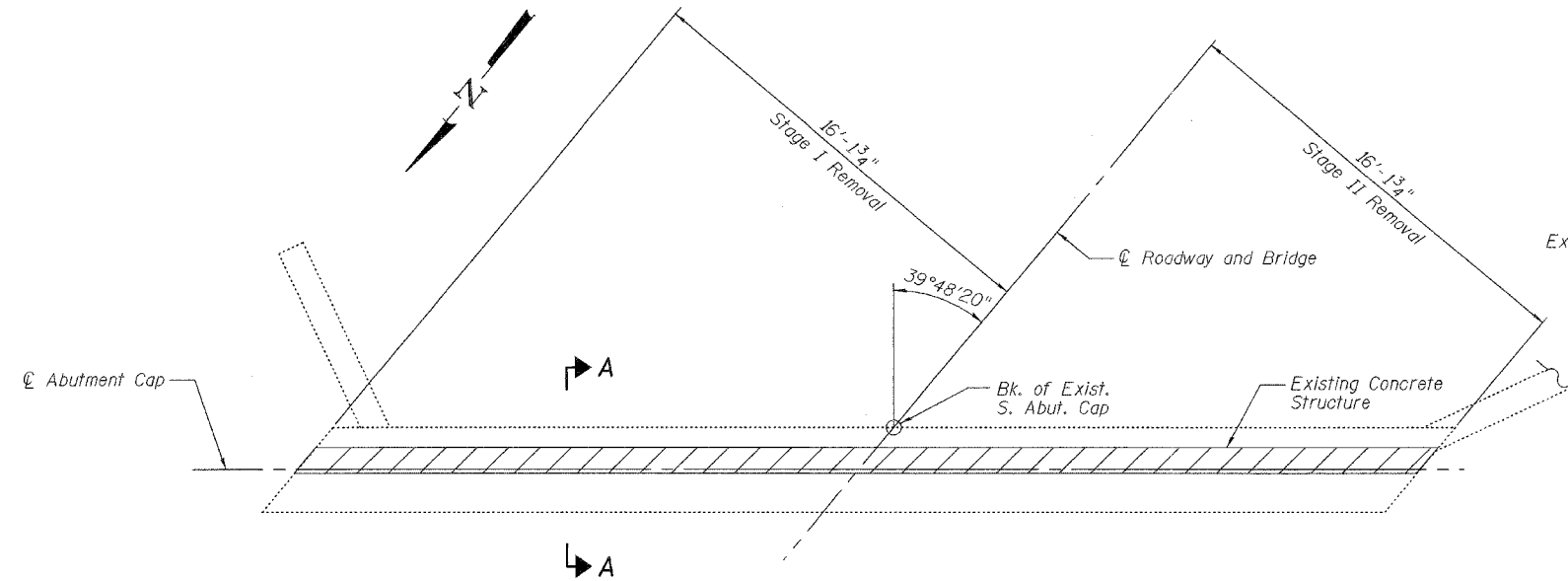


STATE OF ILLINOIS  
DEPARTMENT OF TRANSPORTATION

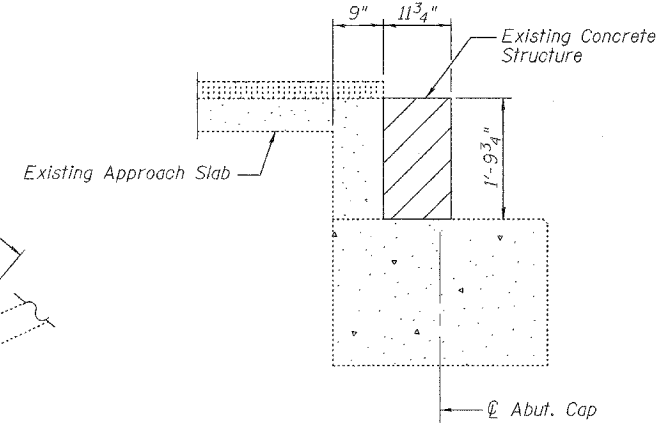
ROUTE NO.	SECTION	COUNTY	TOTAL SHEETS	SHEET NO.	SHEET NO. 9
F.A.P. 132	102BR-1	MASSAC	82	62	16 SHEETS
FED. ROAD DIST. NO. 7	ILLINOIS	FED. AID PROJECT			

Contract #78032



**PLAN - CONCRETE REMOVAL AT ABUTMENT**  
(South Abutment shown, North Abutment similar)

Removal of existing wearing surface, expansion joints, and deck beams included with Removal of Existing Superstructures. Removal of existing P.C. channel beams included with Removal of Existing Precast Concrete Units. These items not shown for clarity.

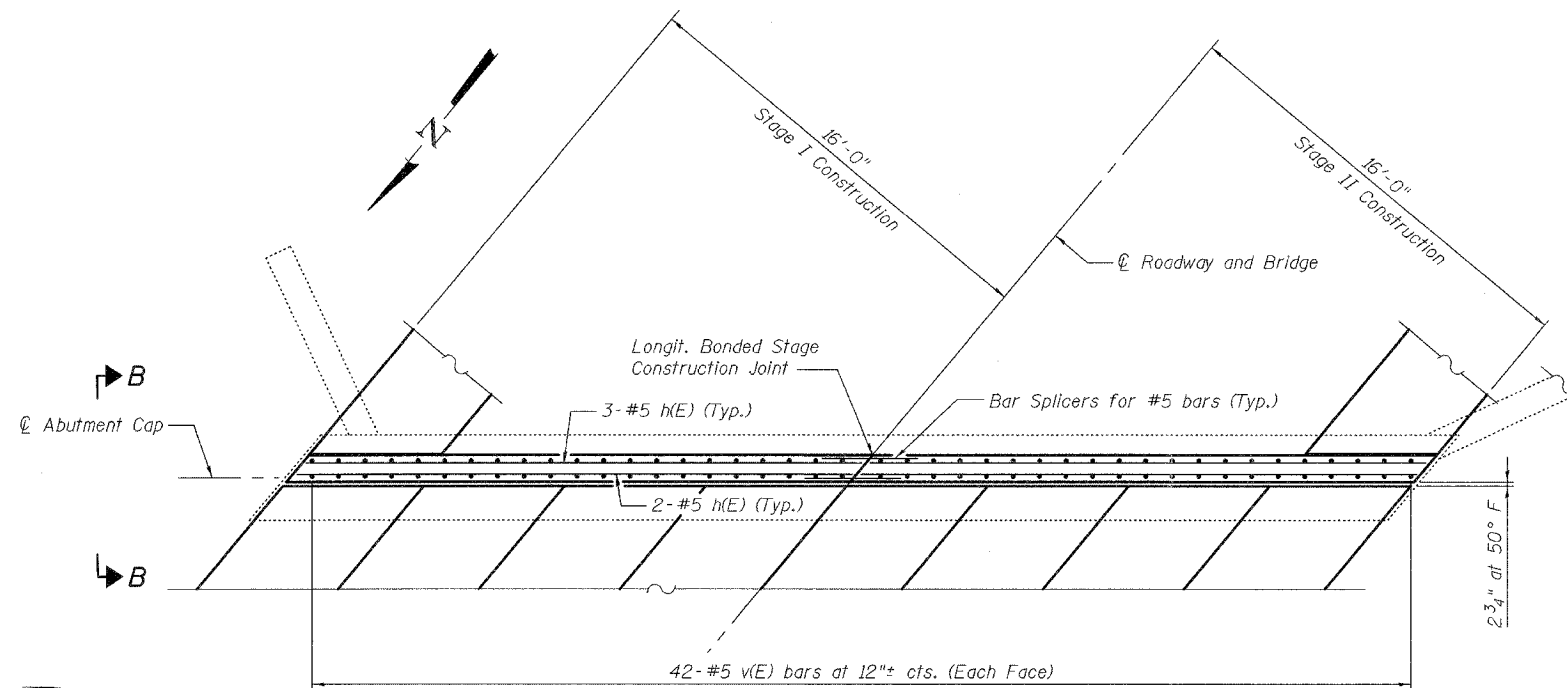


**SECTION A-A**

Note:  
Hatched areas indicate Concrete Removal.  
Existing reinforcement extending into new construction shall be cut off flush. Cost included with Concrete Removal.

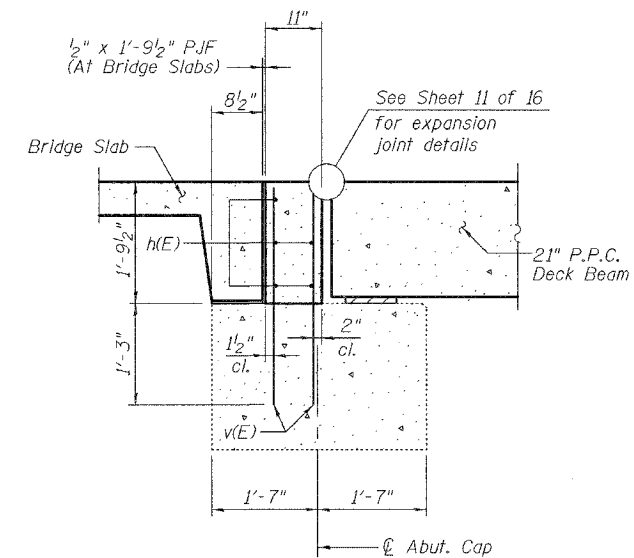
**BILL OF MATERIAL**

Bar	No.	Size	Length	Shape
h(E)	20	#5	20'-6"	—
v(E)	168	#5	2'-11"	—
Reinforcement Bars, Epoxy Coated			Pound	940
Concrete Removal			Cu. Yd.	5.5
Concrete Structures			Cu. Yd.	5.1



**PLAN - CONCRETE STRUCTURE AT ABUTMENT**  
(South Abutment shown, North Abutment similar)

Concrete structure to be poured after P.P.C. deck beams and P.C. bridge slabs are in place and shear keys are grouted and cured.



**VIEW B-B**

Note:  
Epoxy grout v(E) bars in drilled holes according to Section 584 of the Standard Specifications. Cost included with Concrete Structures.



DESIGNED	RLM
CHECKED	YSS
DRAWN	PRC
CHECKED	RLM

02/04/08

**CONCRETE DETAILS AT EXPANSION ENDS**  
**ILL. ROUTE 145 OVER MASSAC CREEK**  
**F.A.P. ROUTE 132 - SECTION 102BR-1**  
**MASSAC COUNTY**  
**STATION 533+27.15**  
**STRUCTURE NO. 064-0008**