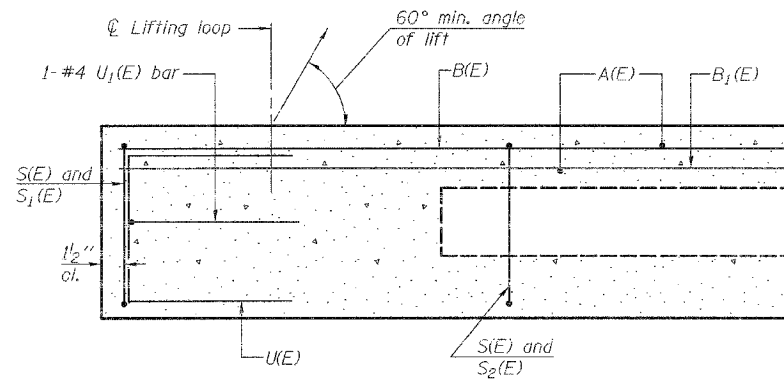


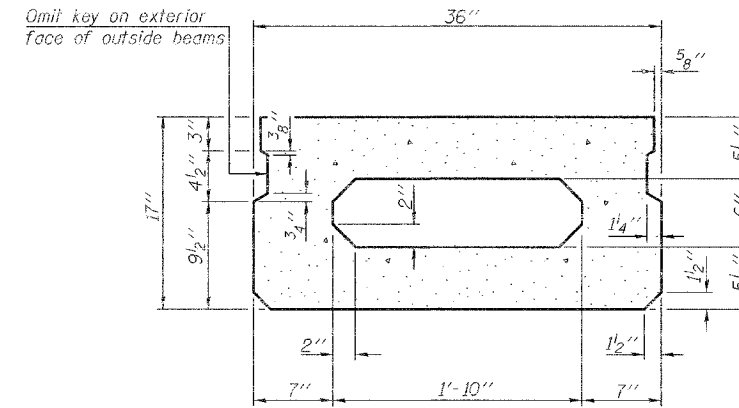
STATE OF ILLINOIS
DEPARTMENT OF TRANSPORTATION

ROUTE NO.	SECTION	COUNTY	TOTAL SHEETS	SHEET NO.	SHEET NO. 5
F.A.P. 885	111BR-2	POPE	69	53	11 SHEETS
FED. ROAD DIST. NO. 7	ILLINOIS	FED. AID PROJECT			

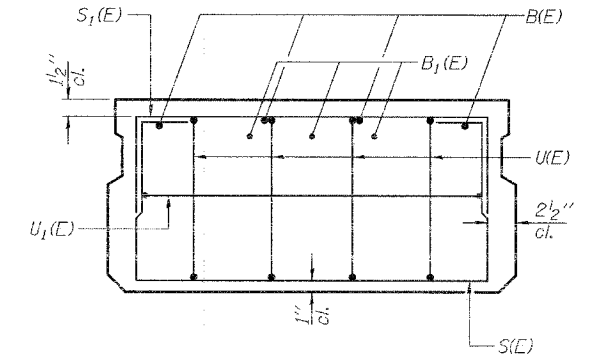
Contract #78033



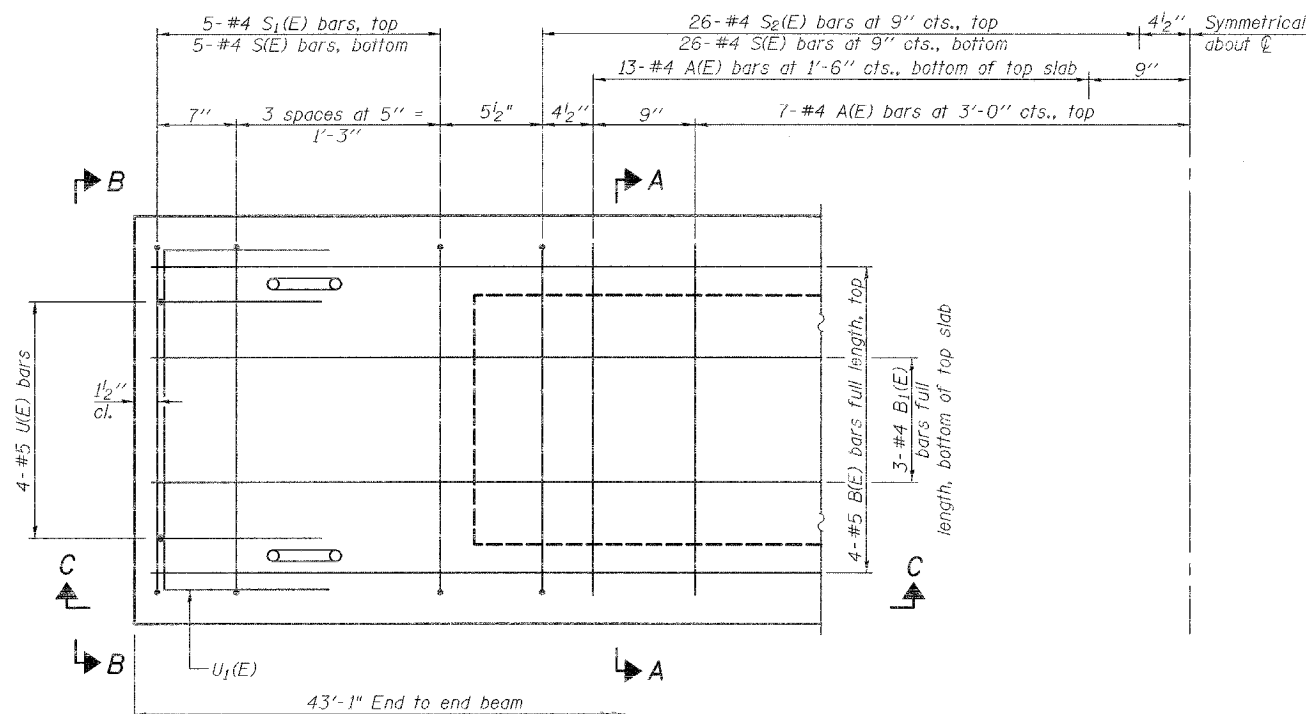
SECTION C-C



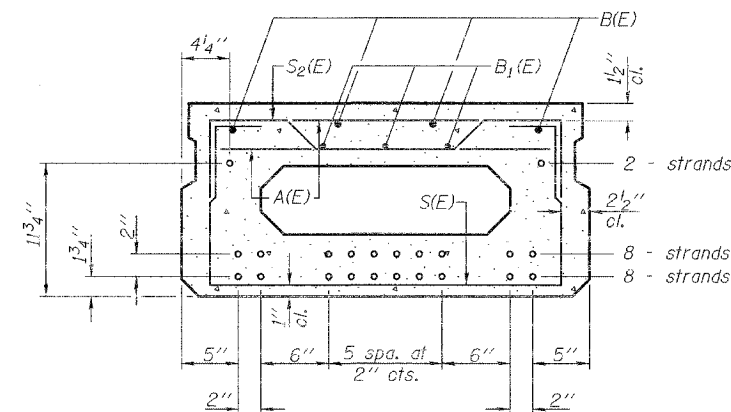
SECTION A-A
(Showing dimensions)



VIEW B-B



PLAN VIEW



SECTION A-A

(Showing reinforcement and permissible strand locations)

Note: Place the number of strands specified in each row symmetrically about the centerline of beam in the permissible strand locations shown.

BAR LIST
ONE BEAM ONLY
(For information only)

Bar	No.	Size	Length	Shape
A(E)	39	#4	2'-7"	—
B(E)	4	#5	42'-10"	—
B1(E)	3	#4	42'-10"	—
S(E)	62	#4	5'-9"	□
S1(E)	10	#4	4'-11"	□
S2(E)	52	#4	5'-2"	□
U(E)	8	#5	3'-8"	□
U1(E)	2	#4	5'-0"	□

Note: See sheet 6 of 11 for additional details and Bill of Material.

Note: Spacing of S(E) and S2(E) bars may be adjusted up to 4" in the immediate area of the transverse tie diaphragms to miss the block outs for the transverse ties.



DESIGNED	YSS
CHECKED	RLM
DRAWN	PRC
CHECKED	RLM

03/17/08

17" X 36" DECK BEAM
ILL. ROUTE 146 OVER ROOT LICK BRANCH
F.A.P. ROUTE 885 - SECTION 111BR-2
POPE COUNTY
STATION 818+03.50
STRUCTURE NO. 076-0008