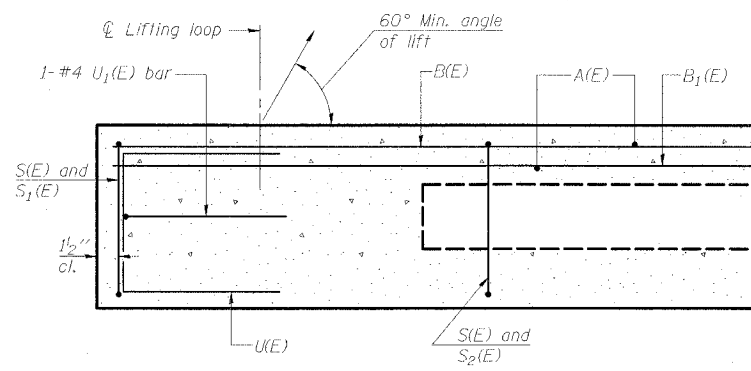


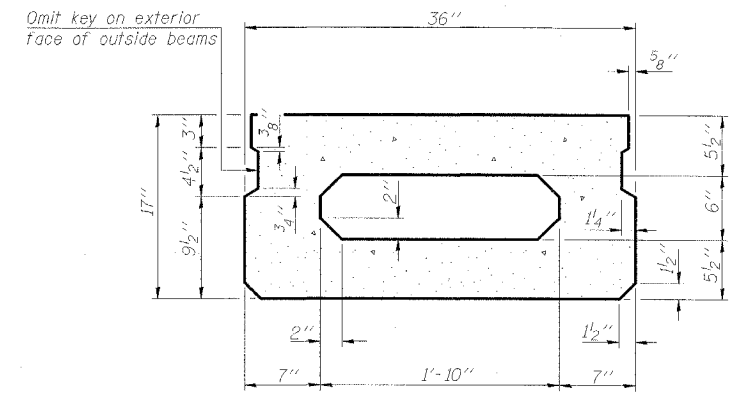
STATE OF ILLINOIS
DEPARTMENT OF TRANSPORTATION

ROUTE NO. FAP 873	SECTION 107BR-1	COUNTY FRANKLIN	SHEET NO. 73	SHEET NO. 17	SHEET NO. 6 16 SHEETS
FED. ROAD DIST. NO. 9		ILLINOIS	FED. AID PROJECT		

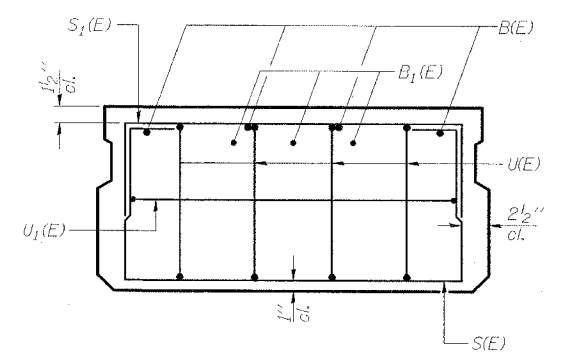
78034



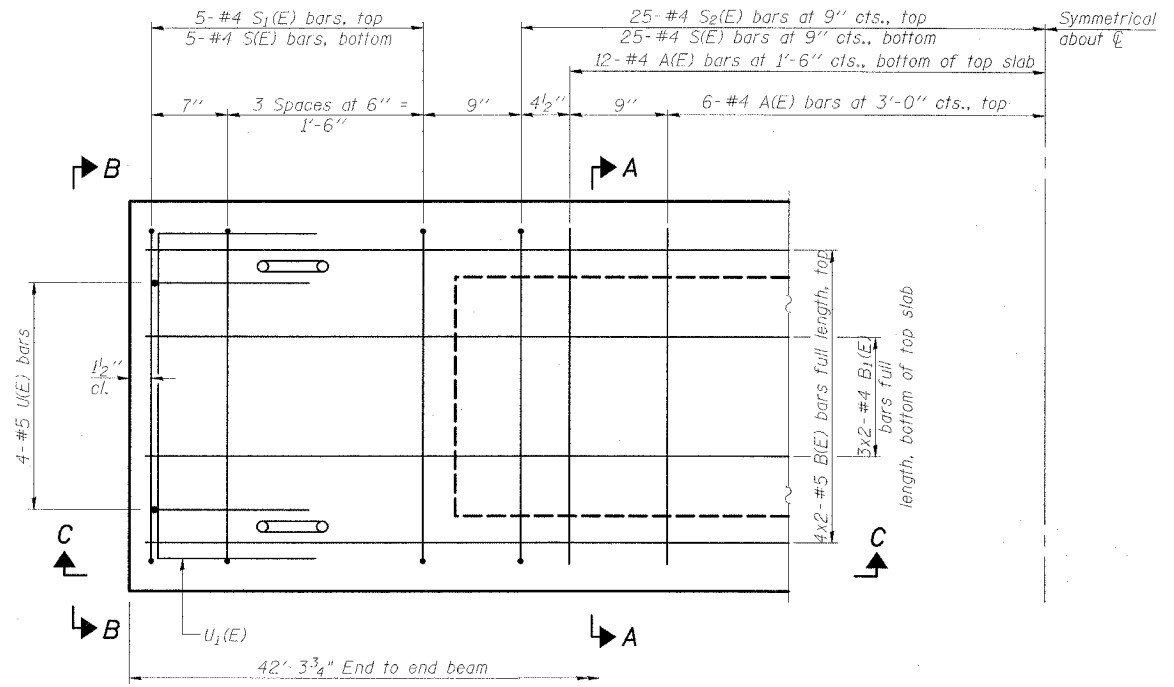
SECTION C-C



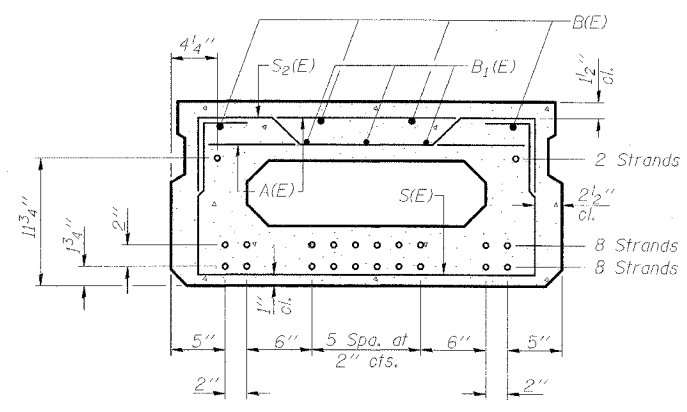
SECTION A-A
(Showing dimensions)



VIEW B-B



PLAN VIEW



SECTION A-A
(Showing reinforcement and permissible strand locations)
18-1/2" strands, each strand stressed to 30,900 lbs

Note: Place the number of strands specified in each row symmetrically about the centerline of beam in the permissible strand locations shown.

BAR LIST
ONE BEAM ONLY
(For information only)

Bar	No.	Size	Length	Shape
A(E)	36	#4	2'-7"	—
B(E)	8	#5	22'-2"	—
B1(E)	6	#4	21'-11"	—
S(E)	60	#4	5'-9"	□
S1(E)	10	#4	4'-11"	□
S2(E)	50	#4	5'-2"	□
U(E)	8	#5	3'-8"	□
U1(E)	2	#4	5'-0"	□

Note: See Sheet No. 7 of 16 for additional details and Bill of Material.

MIN. BAR LAP
#4 bar = 1'-8"
#5 bar = 2'-2"

- Notes:
1. Spacing of S(E) and S2(E) bars may be adjusted up to 4" in the immediate area of the transverse tie diaphragms to miss the block outs for the transverse ties.
 2. Adjust reinforcement locations to clear dowel holes at fixed ends.

ESCA
CONSULTANTS, INC.

DESIGNED BY:	ELH	02/08
DRAWN BY:	HAS	02/08
CHECKED BY:	JMS	02/08
APPROVED BY:	RDP	02/08

SUPERSTRUCTURE DETAILS
IL 149 OVER TILLEY CREEK
FAP ROUTE 873 - SECTION 107BR-1
FRANKLIN COUNTY
STATION 1060+46.00
STRUCTURE NO. 028-0040