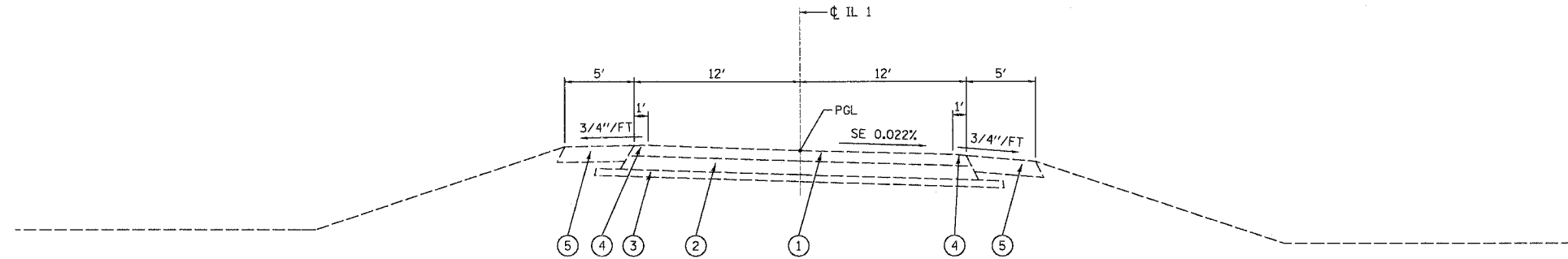


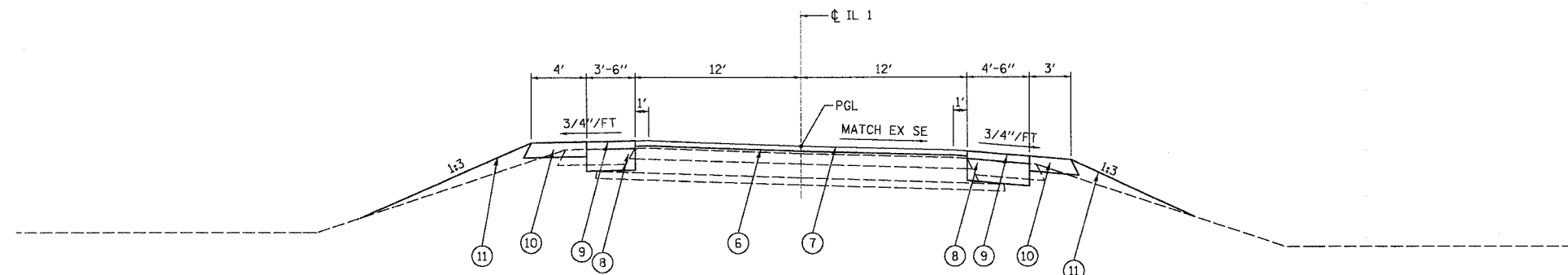
CONTRACT NO. 78034				
F.A.P. RTE.	SECTION	COUNTY	TOTAL SHEETS	SHEET NO.
782	111BR-1	GALLATIN	73	41
STA.		TO STA.		
FED. ROAD DIST. NO.		ILLINOIS FED. AID PROJECT		



EXISTING TYPICAL SECTION

STA 353+95.00 TO STA 358+04.00

BRIDGE OMISSION SN 030-0018
STA 355+14.97 TO STA 356+75.03



PROPOSED TYPICAL SECTION

STA 353+95.00 TO STA 358+04.00

BRIDGE OMISSION SN 030-0018
STA 355+14.97 TO STA 356+75.03

- ① EX HMA SURFACE - 3"
- ② EX HMA BASE COURSE - 8"
- ③ EX SUB BASE GRANULAR MATERIAL, TYPE A - 4"
- ④ EX 1' HMA SHOULDER
- ⑤ EX AGG SHOULDER
- ⑥ PR LEVELING BINDER (MACHINE METHOD) - VAR DEPTH
- ⑦ PR HOT-MIX ASPHALT SURFACE COURSE, 1-1/2"
- ⑧ PR BASE COURSE WIDENING, 10" (FOR STAGE LANES)
- ⑨ PR HOT-MIX ASPHALT SHOULDER
- ⑩ PR AGGREGATE SHOULDER TY A, 6"
- ⑪ PR EARTH SHOULDER

PLOT DATE = 04/17/2008
PLOT SCALE = 0.3827" / IN.
USER NAME = CFC

COOMBE-BLOXDORF P.C.
Engineers / Land Surveyors
Springfield, Illinois
Design Firm License No. 184-002703

REVISIONS	
NAME	DATE

ILLINOIS DEPARTMENT OF TRANSPORTATION

TYPICAL SECTIONS
IL ROUTE 1 OVER CANE CREEK
FA ROUTE 782 SECTION 111BR-1
GALLATIN COUNTY

SCALE: NTS
DATE

DRAWN BY CFC
CHECKED BY MCB