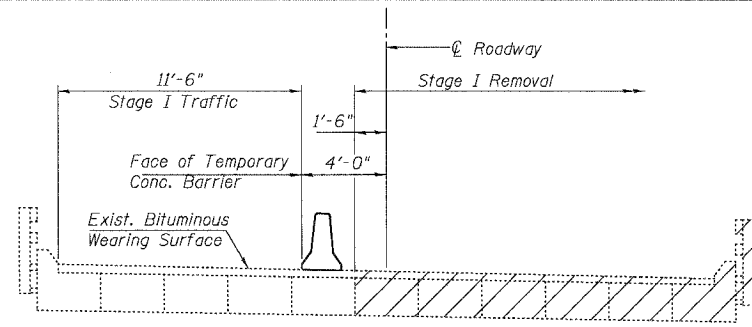
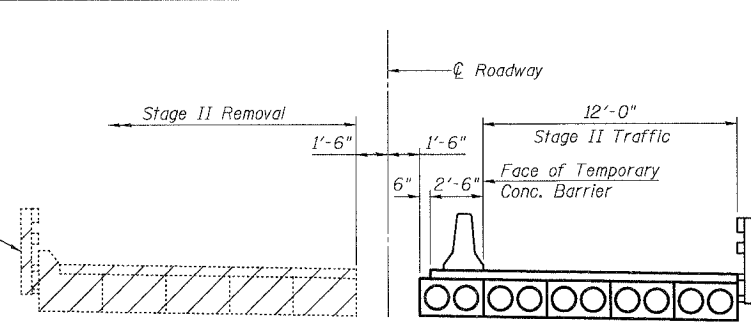


ROUTE NO.	SECTION	COUNTY	SHEET NO.	SHEET	SHEET NO. 2 14 SHEETS
FA 782	111BR-1	GALLATIN	73	51	
FED. ROAD DIST. NO. 7		ILLINOIS	FED. AID PROJECT-		

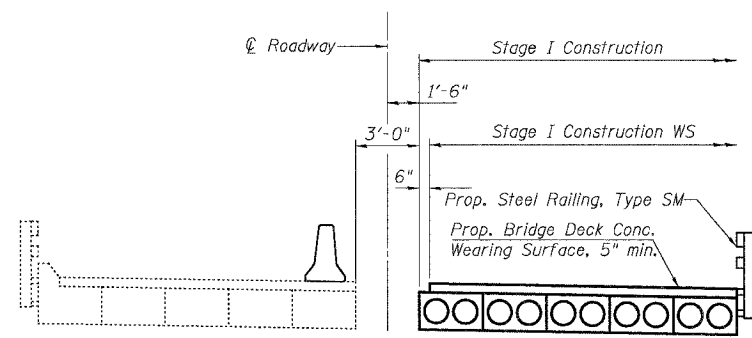
Contract #78034



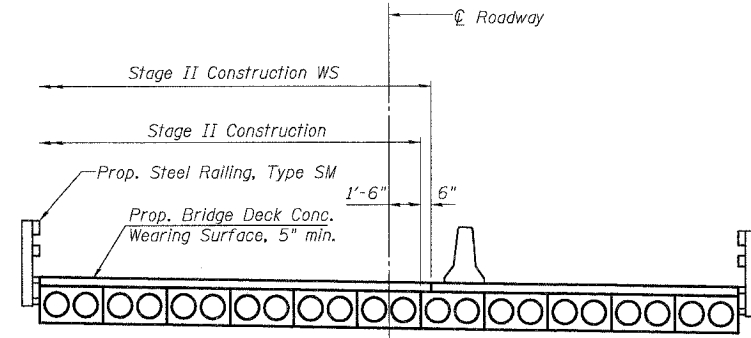
**STAGE I REMOVAL**



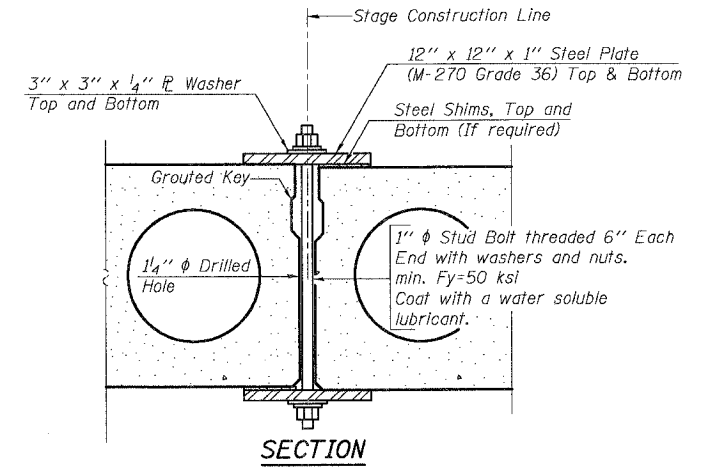
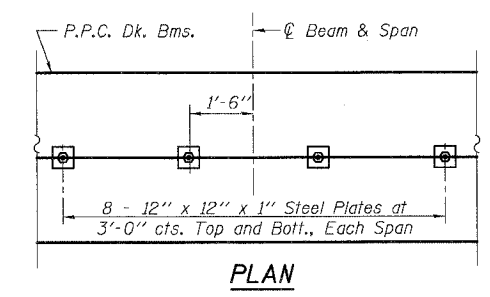
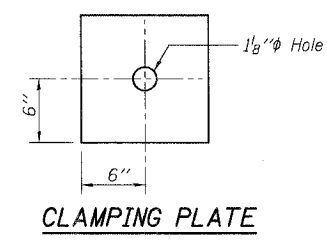
**STAGE II REMOVAL**



**STAGE I CONSTRUCTION**

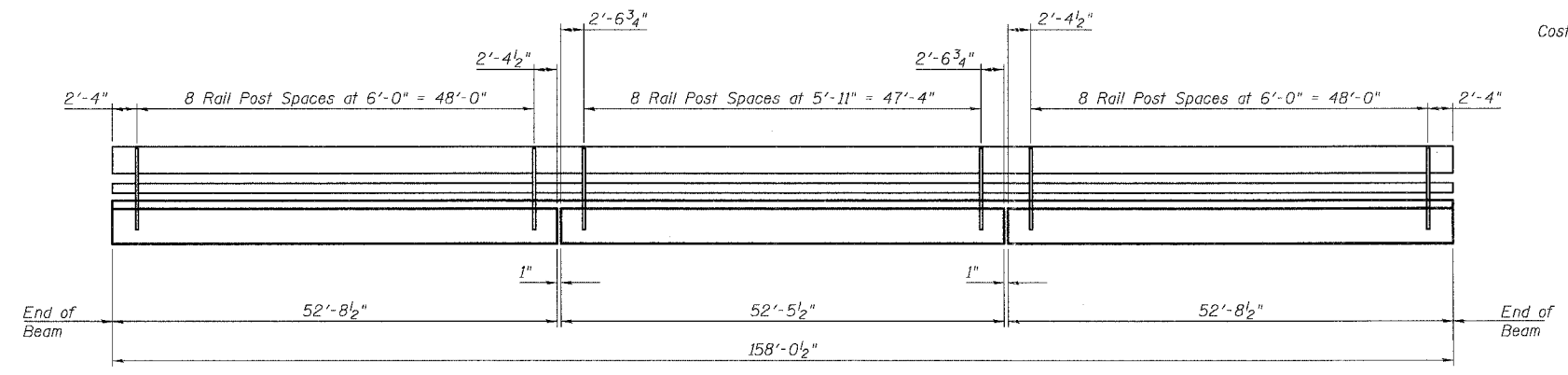


**STAGE II CONSTRUCTION**



**SHEAR KEY CLAMPING DETAILS AT STAGE CONST. JT.**  
Cost of clamping device included in the cost of Precast Prestressed Concrete Deck Beams.

Notes:  
Hatched areas indicate Removal of Existing Superstructures.  
See roadway plans for quantity of Temporary Concrete Barrier.  
All Stage Cross Sections viewed looking Southeast.



**STAGED CONSTRUCTION**  
F.A. RT. 782 SECTION 111BR-1  
GALLATIN COUNTY  
STATION 355+95.00  
STRUCTURE NO. 030-0018

PROJECT NO.	07056-4
DATE	4/17/08
DRAWN BY	TFG
CHECKED BY	CB/BD/MCB

COOMBE-BLOXDORF P.C.  
Engineers / Land Surveyors  
Springfield, Illinois  
Design Firm License No. 184-002703

PLOT DATE = 04/17/2008  
PLOT SCALE = 1/4" = 1'-0"  
USER NAME = CFC