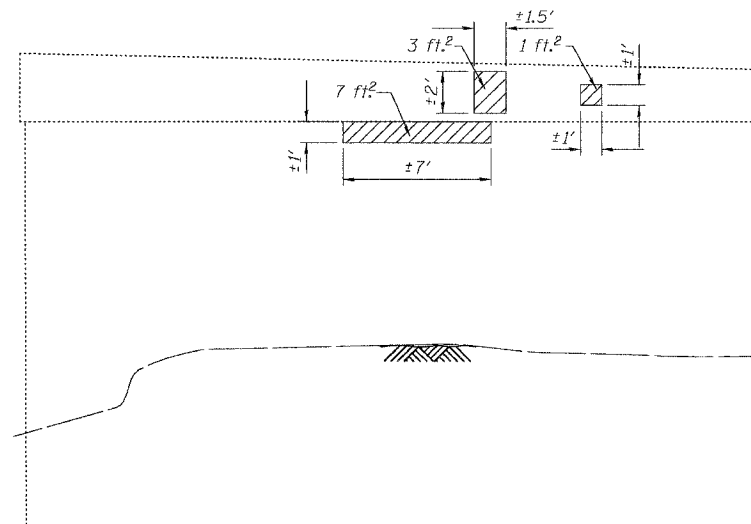
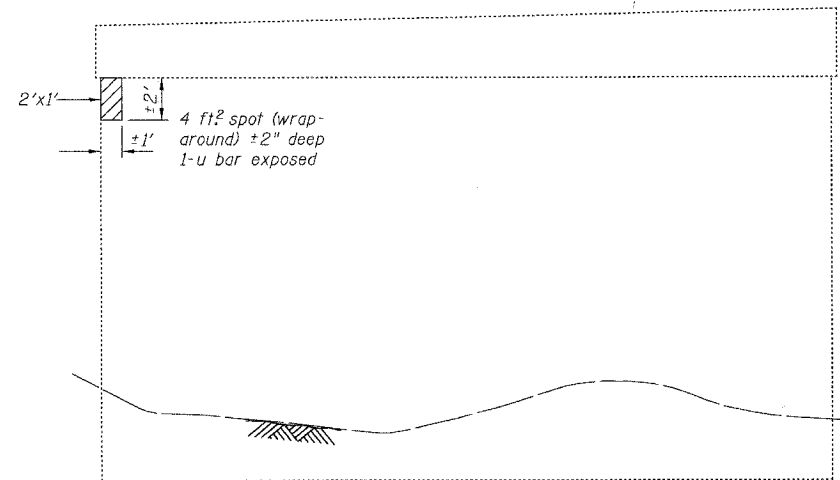


ROUTE NO.	SECTION	COUNTY	SHEET	SHEET	SHEET NO. 13
FA 782	111BR-1	GALLATIN	73	62	14 SHEETS
FED. ROAD DIST. NO. 7	BALDWIN	FED. AID PROJECT			

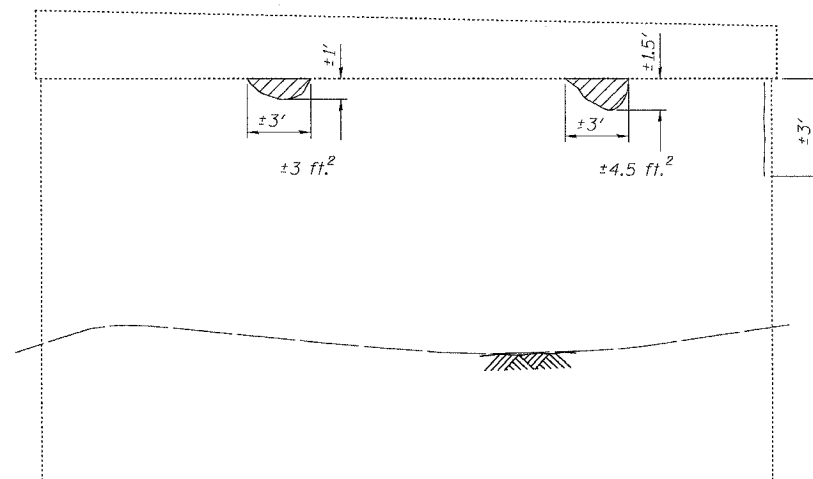
Contract #78034



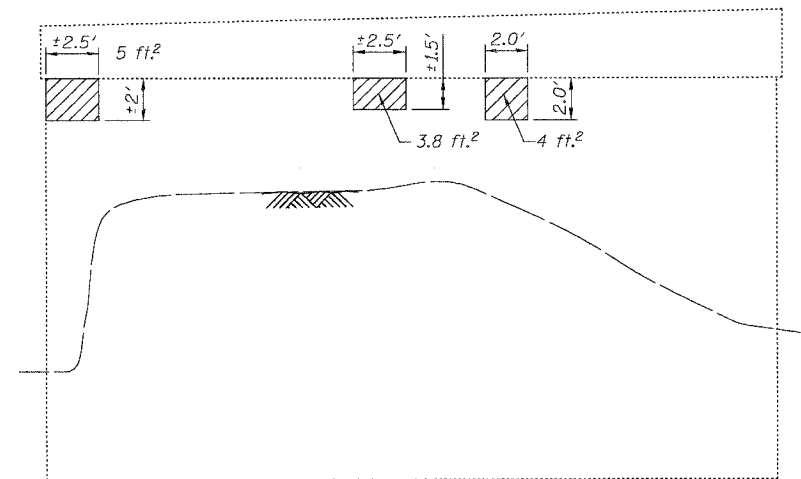
NORTH PIER, NORTH FACE



NORTH PIER, SOUTH FACE



SOUTH PIER, NORTH FACE



SOUTH PIER, SOUTH FACE

**LEGEND**

- Denotes Structural Repair of Concrete (Depth Less Than or Equal to 5')
- Denotes Epoxy Crack Injection

**BILL OF MATERIAL  
TWO PIERS**

Structural Repair of Concrete (Depth Equal to or Less Than 5 In.)	Sq. Ft.	46
Epoxy Crack Injection	Ft.	13

**NOTES**

Epoxy Crack Injection Lengths and Structural Repair of Concrete Areas are estimated from inspection. Actual locations and quantities of repairs shall be shown by the Engineer on the As-Built plans for this section. The existing bearing seats shall be inspected by the Engineer after the beams are removed and deteriorated areas shall be repaired. Estimated 10 sq ft of Structural Repair of Concrete (Depth Equal to or Less Than 5 In.) and 10' of Epoxy Crack Injection.

**PIER REPAIR DETAILS  
F.A. RT. 782 SECTION 111BR-1  
GALLATIN COUNTY  
STATION 355+95.00  
STRUCTURE NO. 030-0018**

<b>COOMBE-BLOXDORF P.C.</b> Engineers / Land Surveyors Springfield, Illinois Design Firm License No. 184-002703	PROJECT NO. 07056-4
	DATE 4/17/08
	DRAWN BY TFG
	CHECKED BY GB/BD/MCB

PLOT DATE = 04/17/2008  
PLOT SCALE = 1/8" = 1'-0"  
USER NAME = CFC