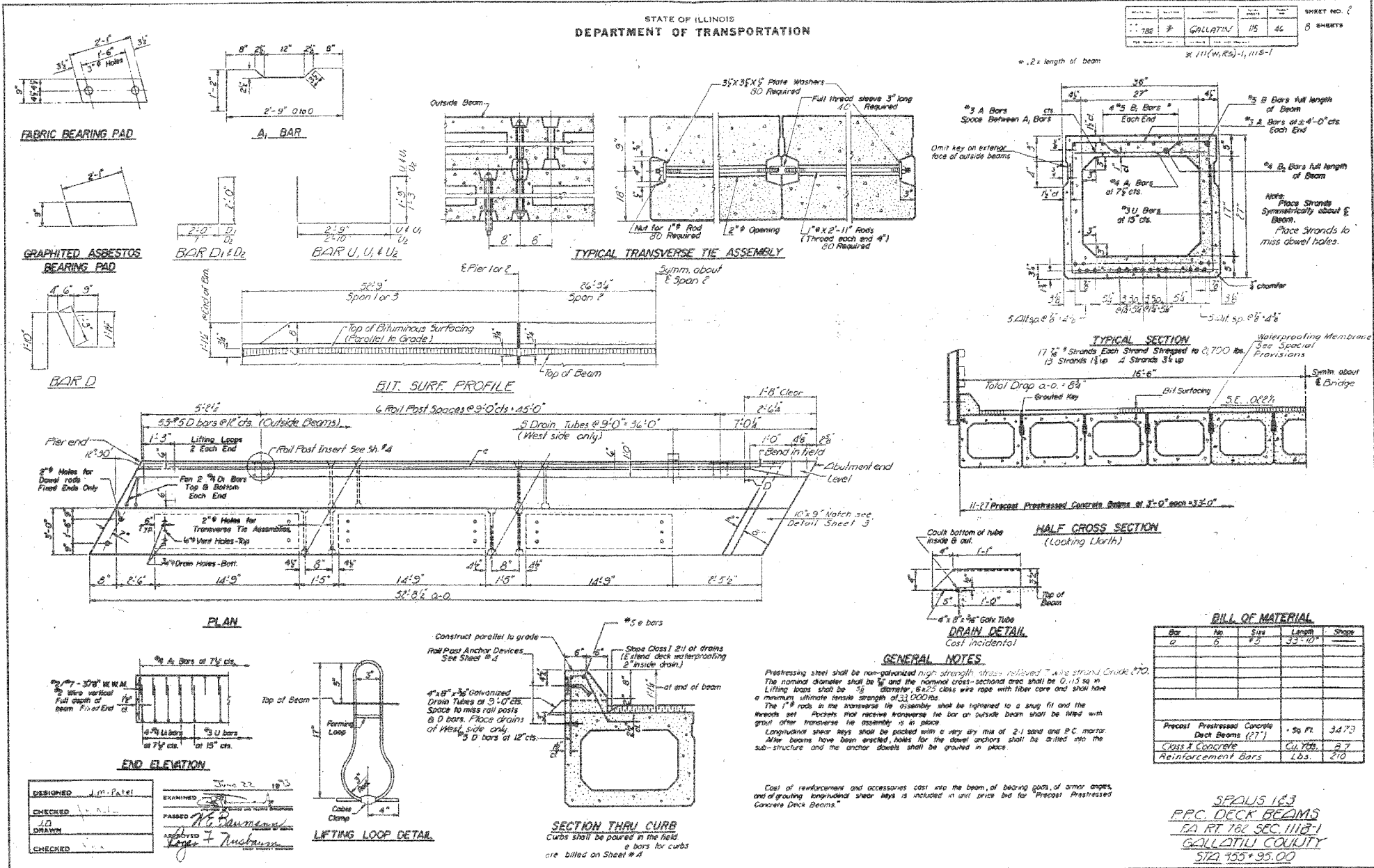


STATE OF ILLINOIS  
DEPARTMENT OF TRANSPORTATION



EXISTING STRUCTURE PLANS  
F.A. RTE. 782 SECTION 111BR-1  
GALLATIN COUNTY  
STATION 355+95.00  
STRUCTURE NO. 030-001B

COOMBE-BLOXDORF P.C.  
Engineers / Land Surveyors  
Springfield, Illinois  
Design Firm License No. 184-002703

PLOT DATE = 04/17/2008  
PLOT SCALE = 1/8" = 1'-0"  
USER NAME = CFC