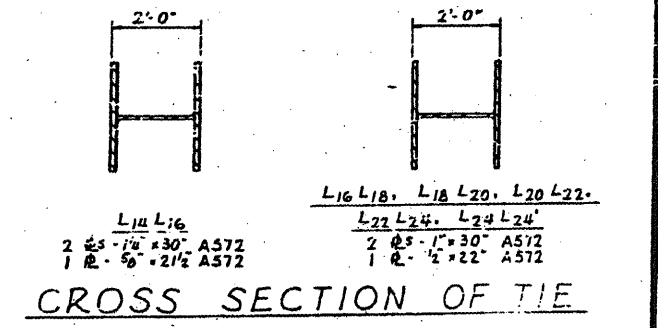
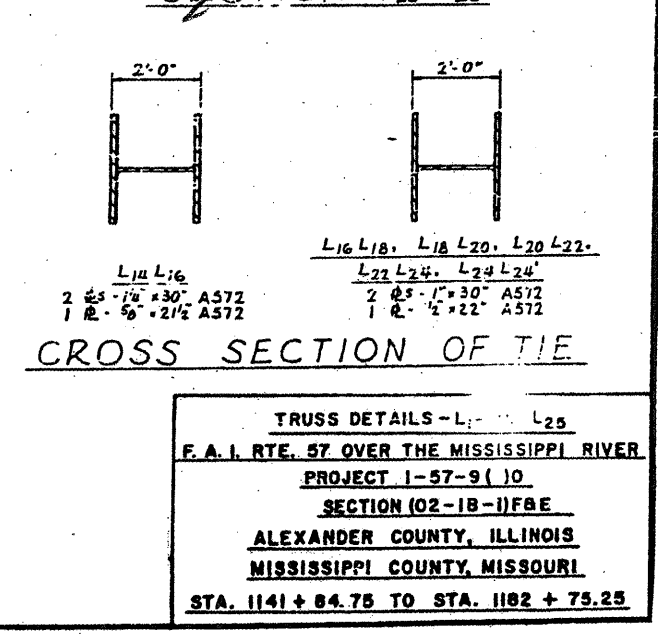
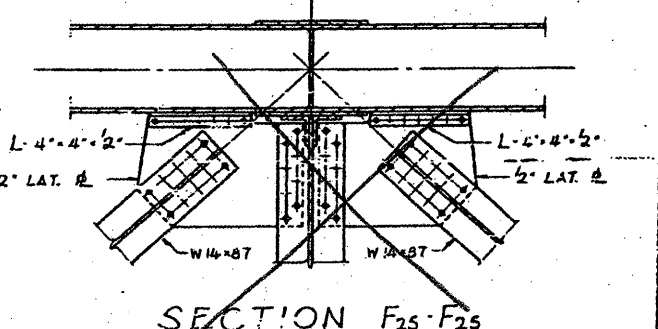
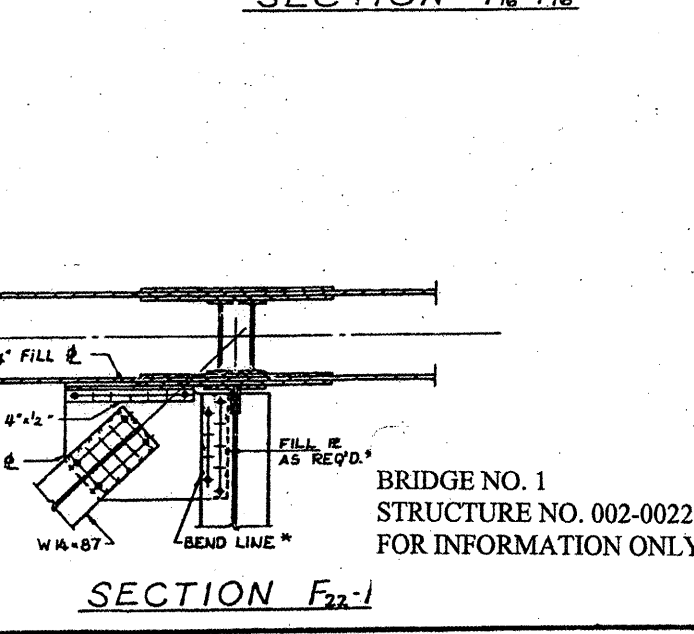
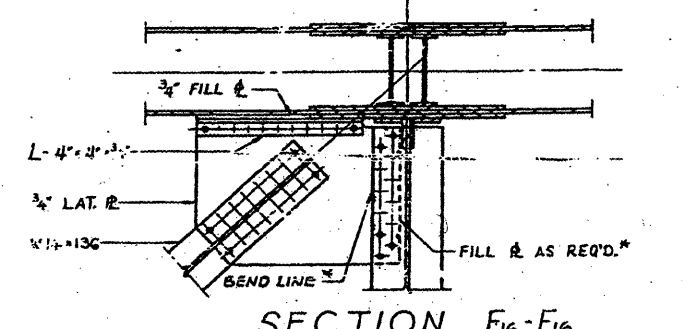
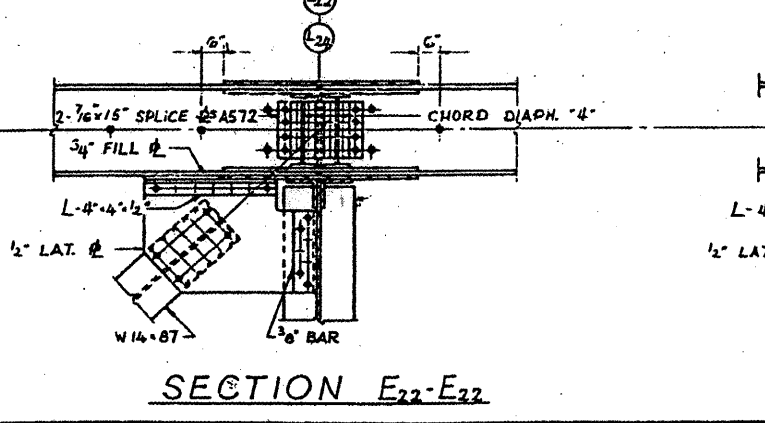
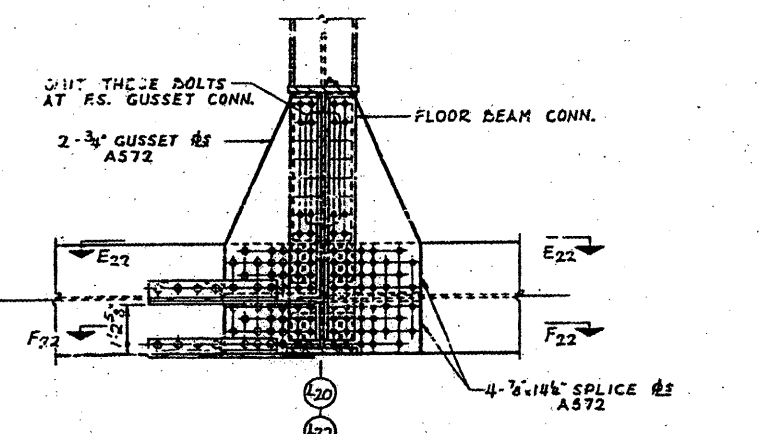
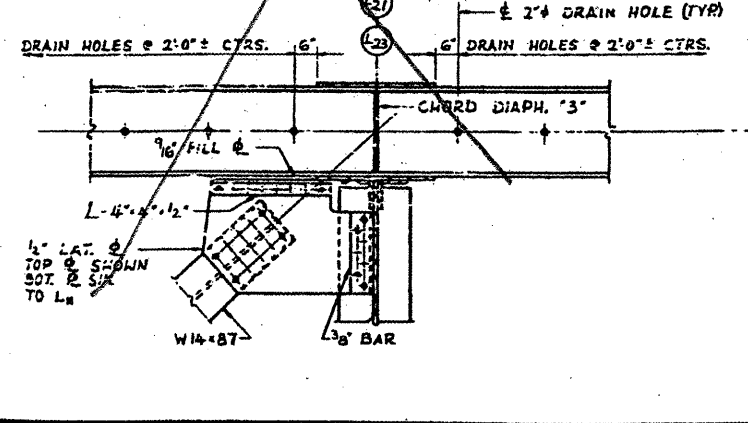
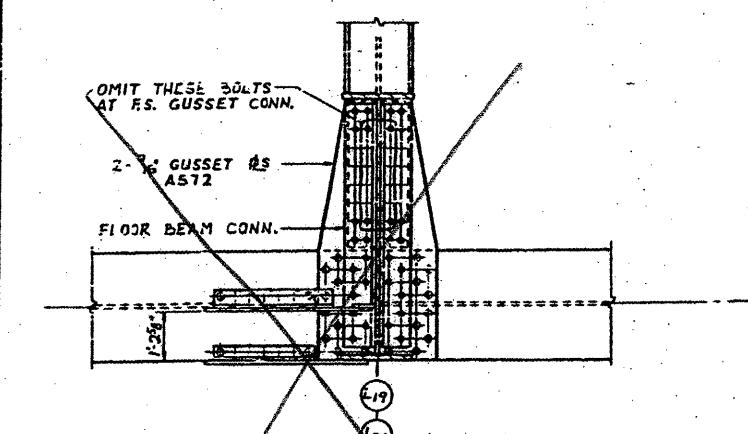
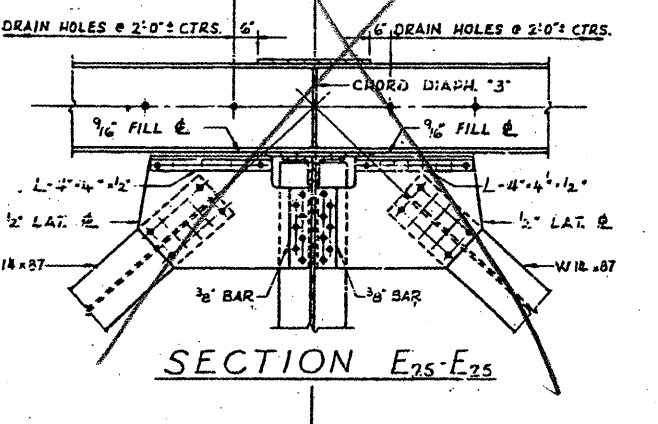
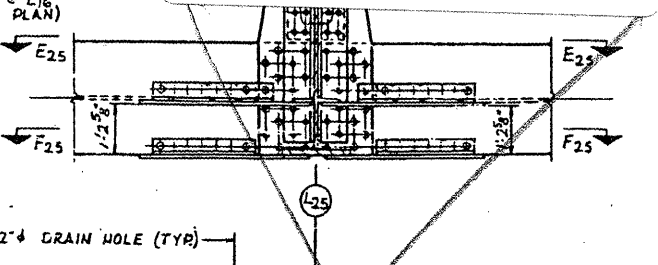
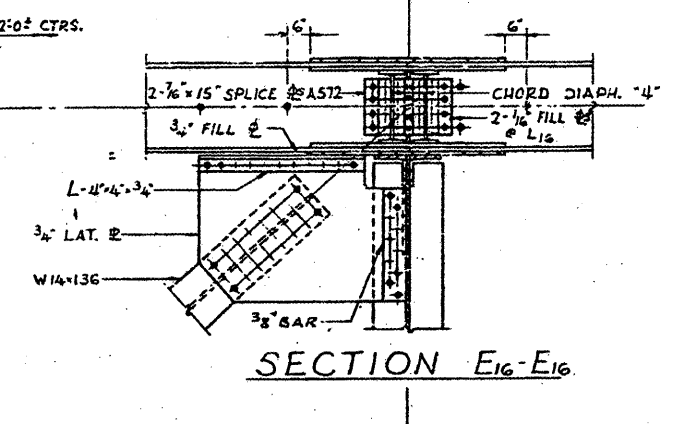
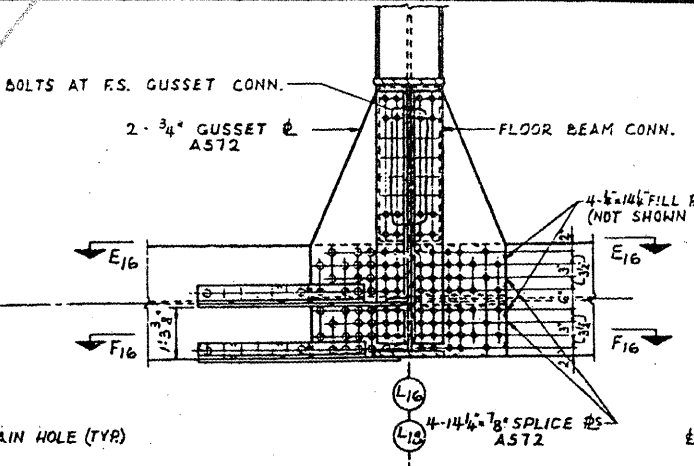
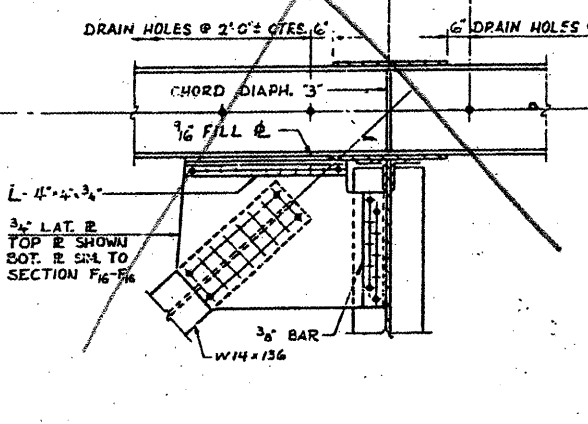
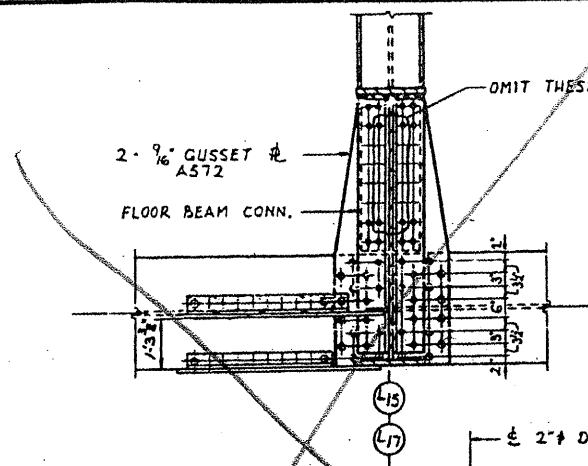
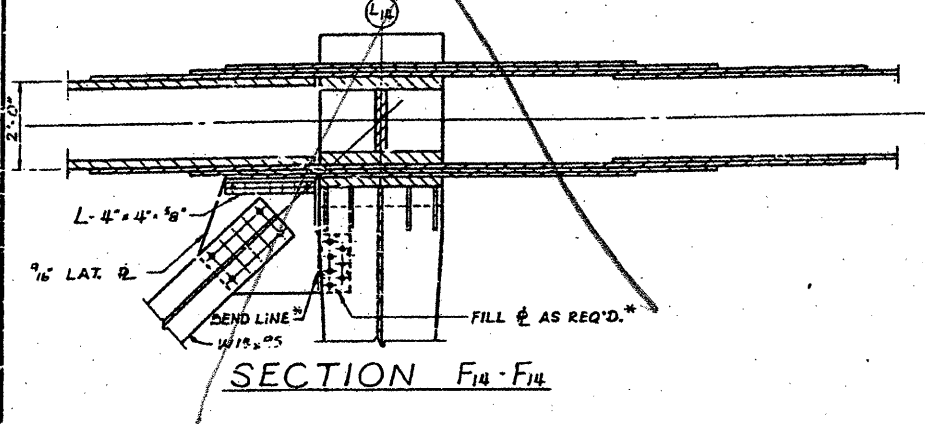
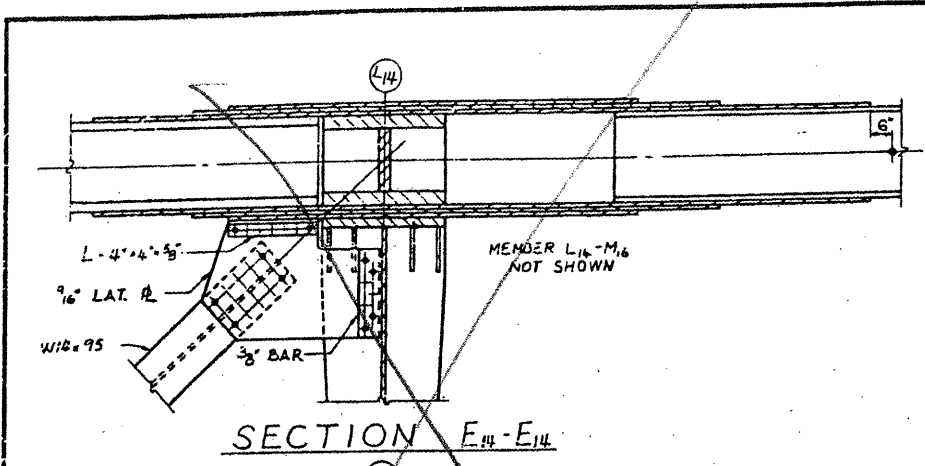


OMIT THESE BOLTS AT F.S. GUSSET
 CONTRACT: 78040
 ROUTE: F.A.I. 57
 SECTION: (02-1B-1)P-1
 COUNTY: ALEXANDER, IL; MISSISSIPPI, MO
 SHEET 14 OF 67
 FOR INFORMATION ONLY



BRIDGE NO. 1
 STRUCTURE NO. 002-0022
 FOR INFORMATION ONLY

TRUSS DETAILS - L14 L25
 F.A.I. RTE. 57 OVER THE MISSISSIPPI RIVER
 PROJECT 1-57-9(10)
 SECTION (02-1B-1)FBE
 ALEXANDER COUNTY, ILLINOIS
 MISSISSIPPI COUNTY, MISSOURI
 STA. 1141 + 84.75 TO STA. 1182 + 75.25