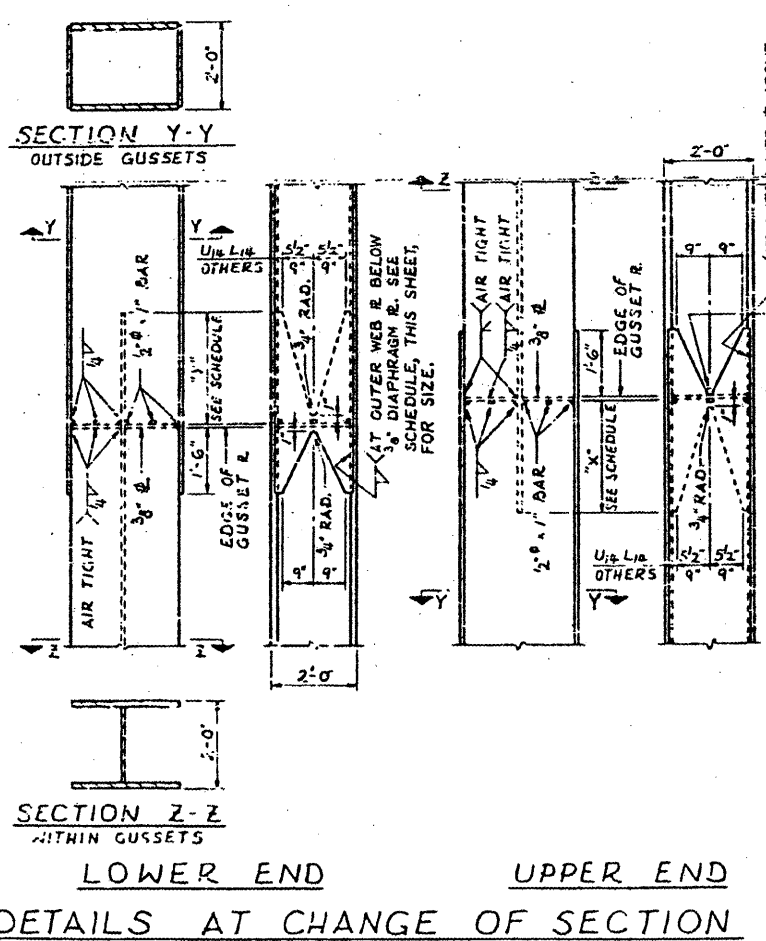
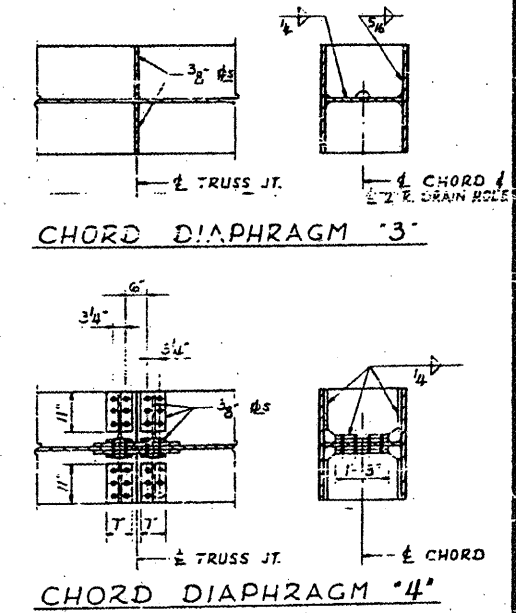
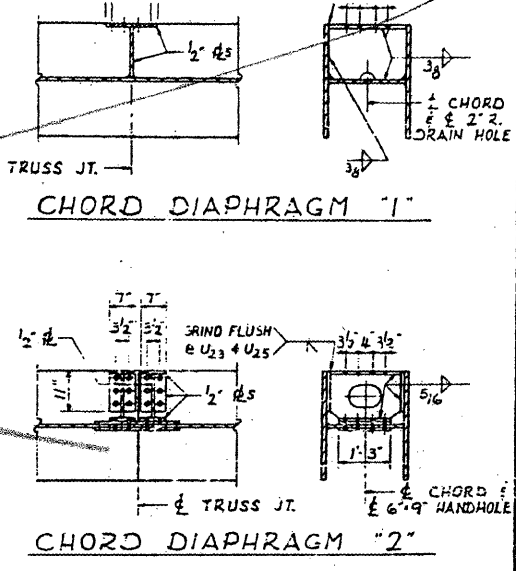
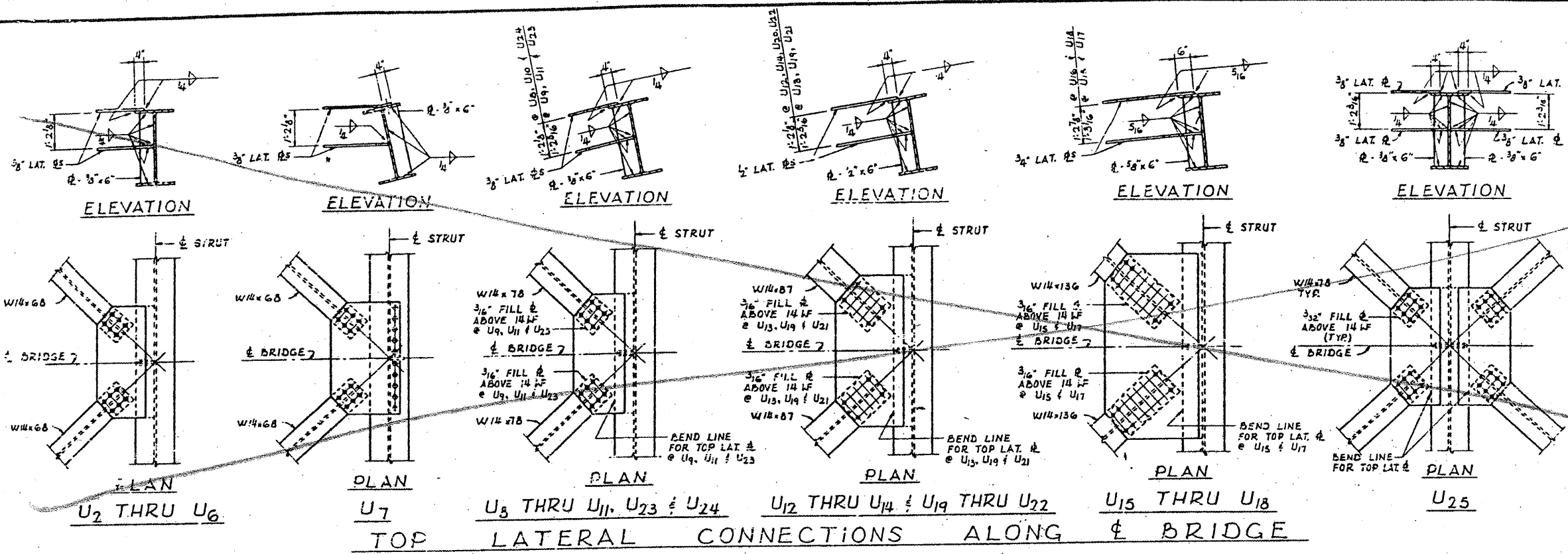
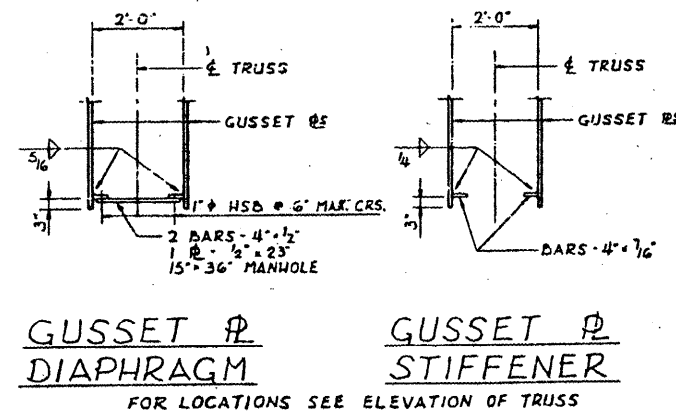
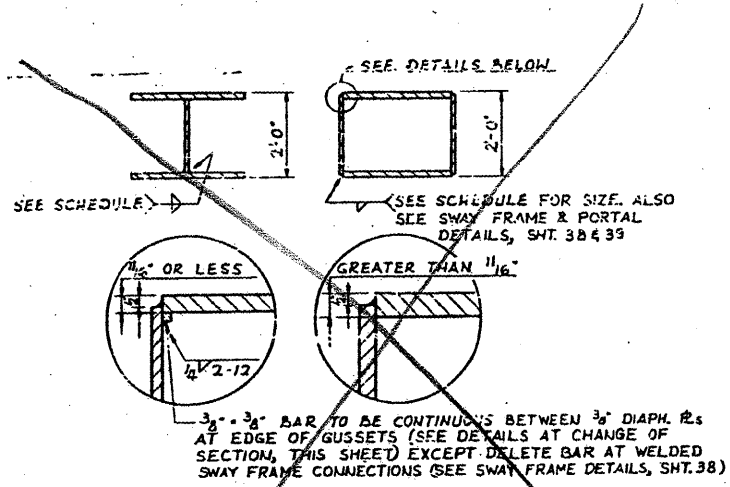


CONTRACT: 78040  
 ROUTE: F.A.I. 57  
 SECTION: (02-1B-1)P-1  
 COUNTY: ALEXANDER, IL; MISSISSIPPI, MO  
 SHEET 16 OF 67  
 FOR INFORMATION ONLY



**SCHEDULE OF "X" DIMENSIONS**

MEMBER	"X"
$L_8 U_9$	3'-0"
$U_9 L_{10}$	2'-0"
$L_{10} U_{11}$	3'-0"
$U_{11} L_{12}$	2'-0"
$L_{12} U_{13}$	3'-0"
$U_{13} L_{14}$	3'-0"
$L_{14} U_{15}$	3'-0"
$U_{15} M_{16}$	2'-0"
$M_{16} U_{17}$	2'-0"
$U_{17} M_{18}$	3'-0"
$M_{18} U_{19}$	2'-0"
$U_{19} L_{14}$	3'-0"
VERTICALS	ALL OTHERS 1'-6"



**TRUSS DETAILS - MISCELLANEOUS**  
 F. A. I. RTE. 57 OVER THE MISSISSIPPI RIVER  
 PROJECT 1-57-9(10)  
 SECTION (02-1B-1)FBE  
 ALEXANDER COUNTY, ILLINOIS  
 MISSISSIPPI COUNTY, MISSOURI  
 STA. 1141 + 84.75 TO STA. 1182 + 75.25

BRIDGE NO. 1  
 STRUCTURE NO. 002-0022  
 FOR INFORMATION ONLY