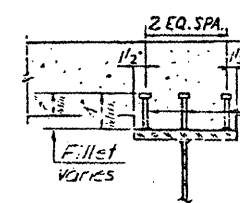
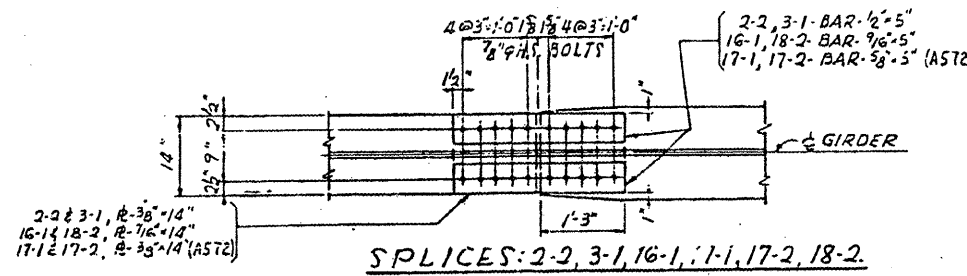
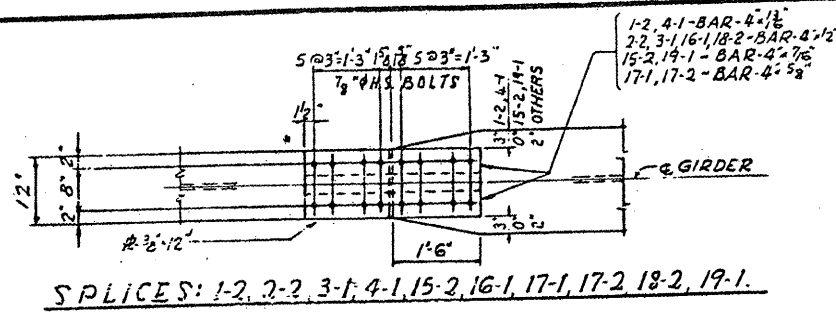
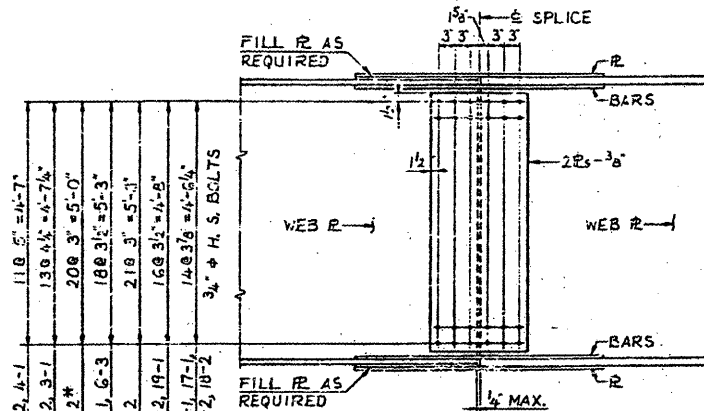
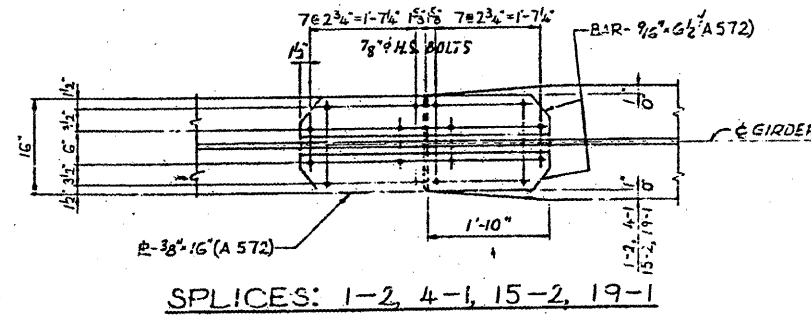
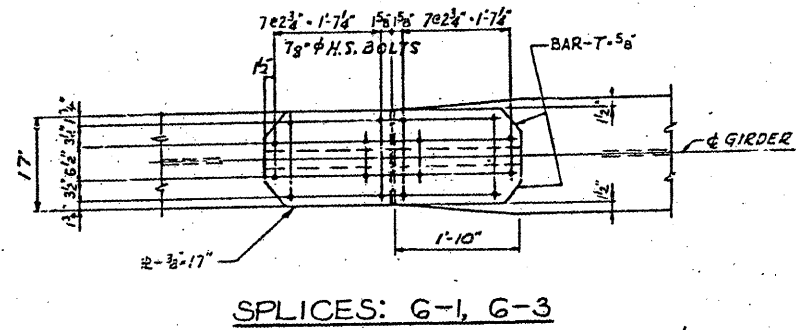


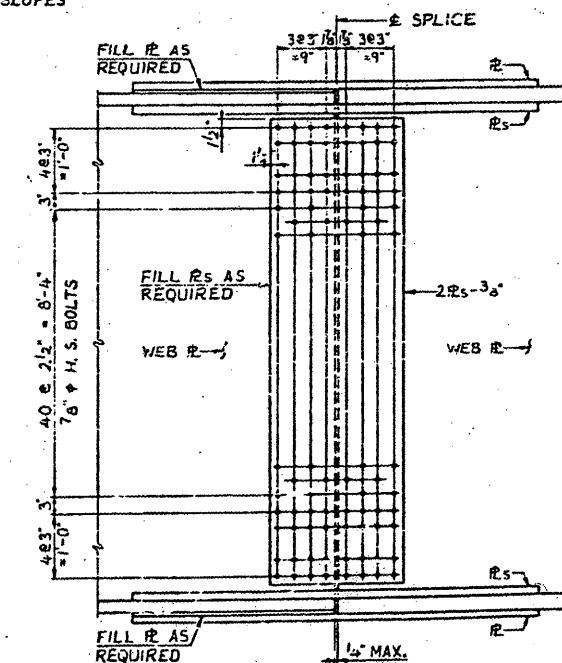
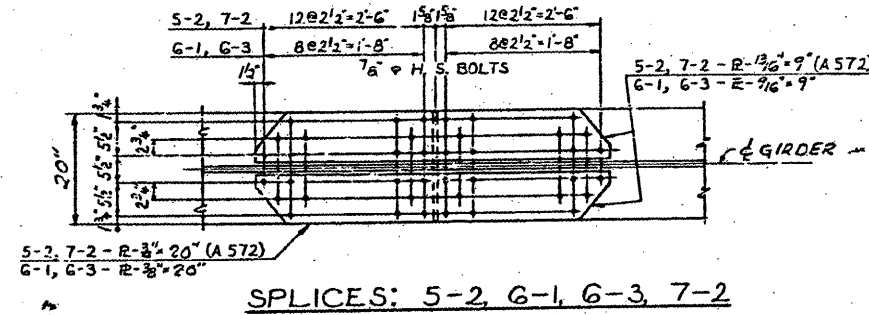
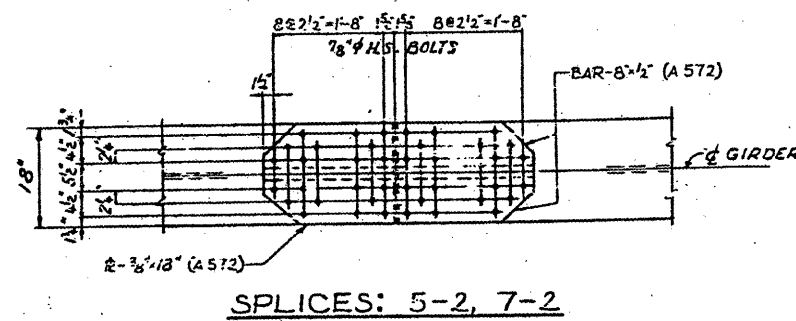
CONTRACT: 78040
 ROUTE: F.A.I. 57
 SECTION: (02-1B-1)P-1
 COUNTY: ALEXANDER, IL; MISSISSIPPI, MO
 SHEET 25 OF 67
 FOR INFORMATION ONLY



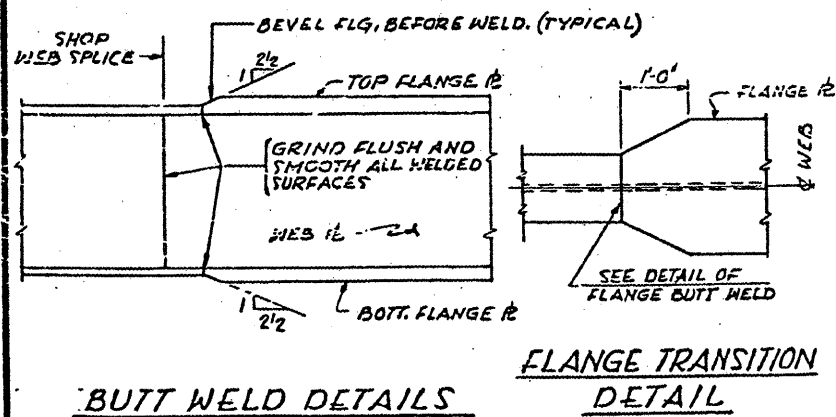
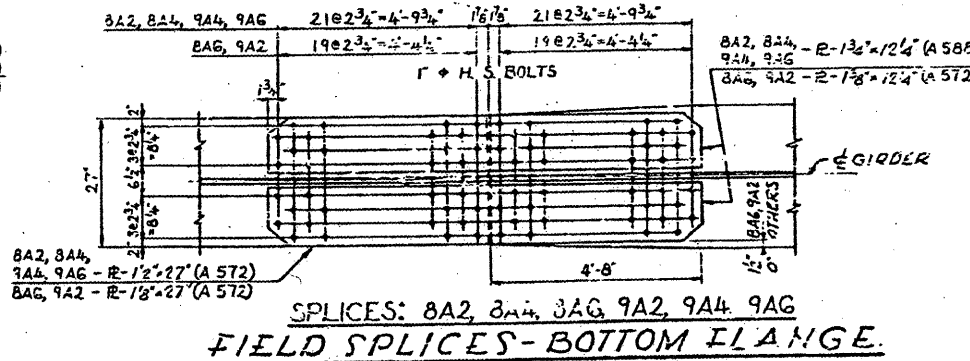
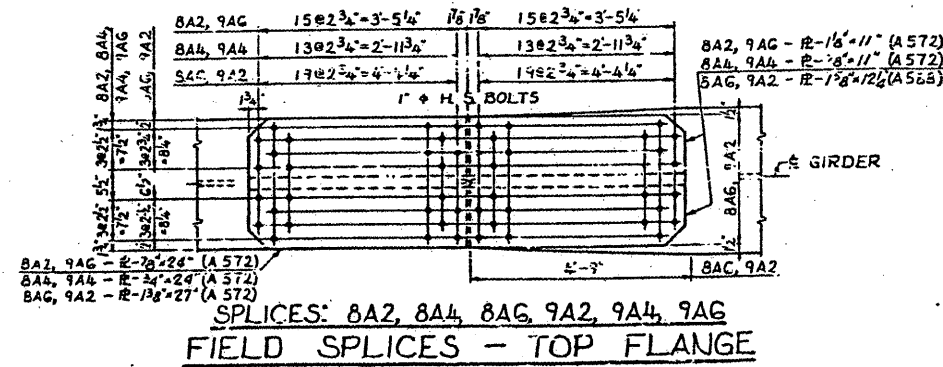
SHEAR LUG DETAIL



SPANS: 1-7 & 15-19

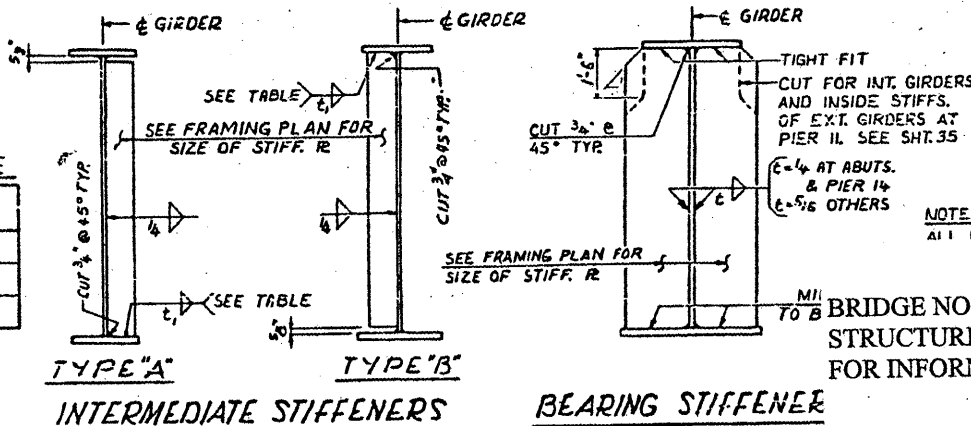


WEB SPLICES



FILLET WELD (t) TABLE

FLANGE R THICKNESS	WELD SIZE
OVER 1/2" TO 3/4"	1/4
OVER 3/4" TO 1 1/2"	5/16
OVER 1 1/2" TO 2 1/4"	3/8



FIELD SPLICES & DETAILS - SPANS 1 TO 15 TO 19
 F.A.I. RTE. 57 OVER THE MISSISSIPPI RIVER
 PROJECT 1-57-9(510)
 SECTION (02-1B-1)D
 ALEXANDER COUNTY, ILLINOIS
 MISSISSIPPI COUNTY, MISSOURI
 STA. 1141 + 84.75 TO STA. 1182 + 75.25