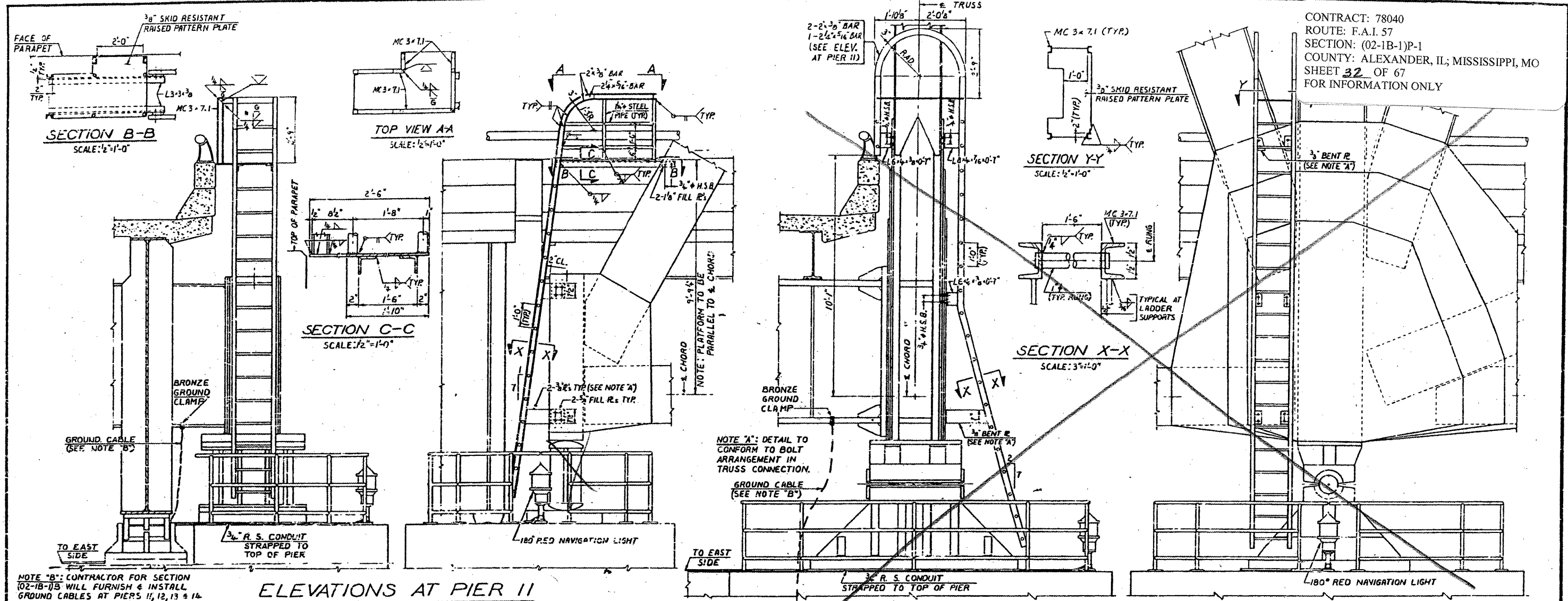
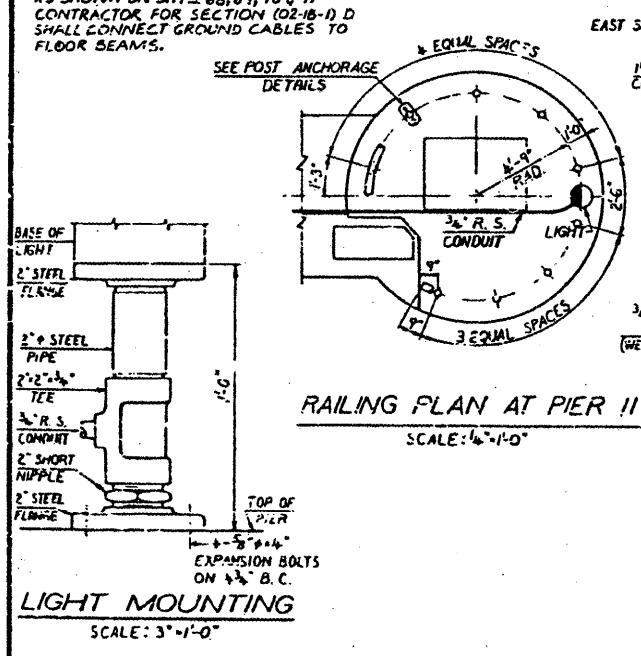


CONTRACT: 78040
 ROUTE: F.A.I. 57
 SECTION: (02-1B-1)P-1
 COUNTY: ALEXANDER, IL; MISSISSIPPI, MO
 SHEET 32 OF 67
 FOR INFORMATION ONLY



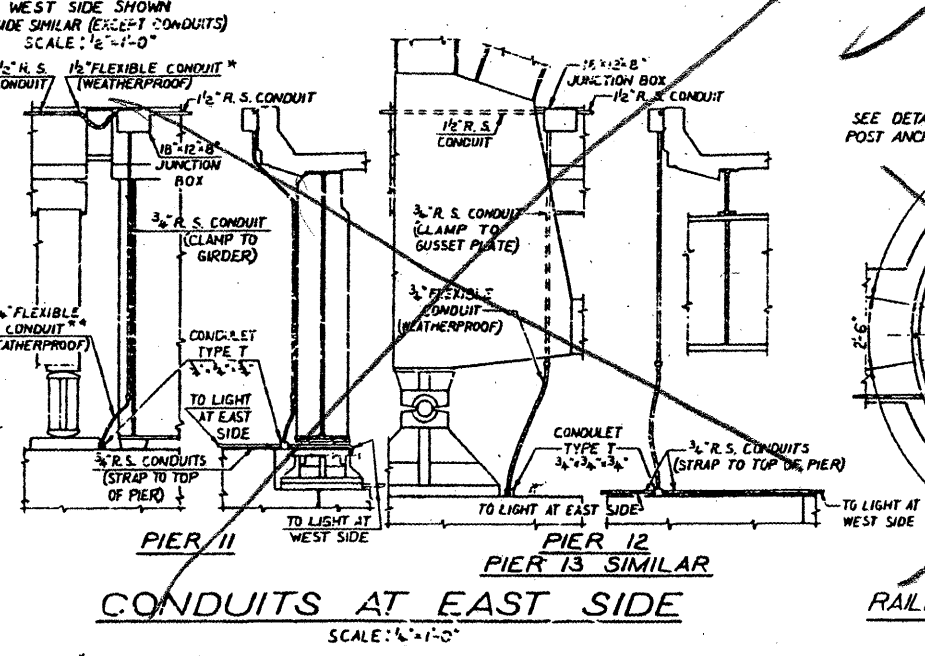
ELEVATIONS AT PIER II

ELEVATIONS AT PIER 12



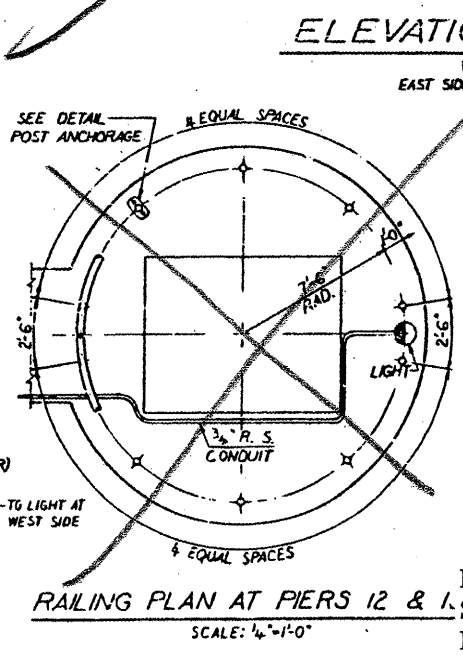
RAILING PLAN AT PIER II
 SCALE: 1/4"=1'-0"

LIGHT MOUNTING
 SCALE: 3/4"=1'-0"

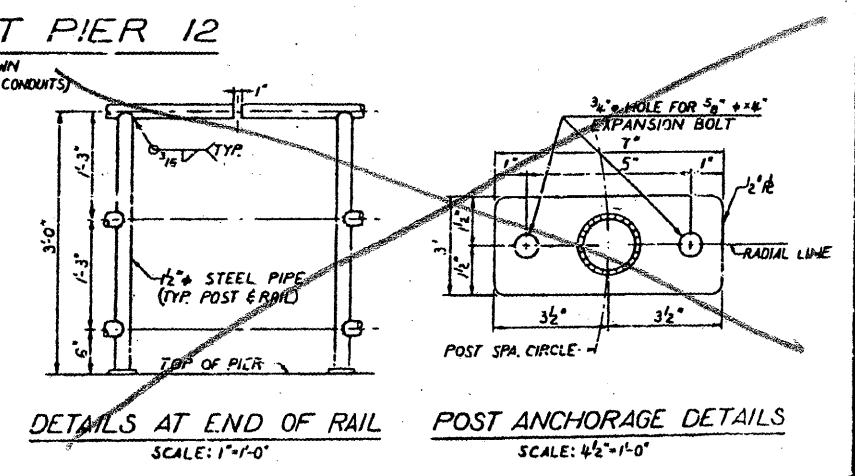


CONDUITS AT EAST SIDE
 SCALE: 1/4"=1'-0"

* MAX. HORIZONTAL MOVEMENT BETWEEN ENDS = 1'-10"
 ** MAX. HORIZONTAL MOVEMENT BETWEEN ENDS = 1"



RAILING PLAN AT PIERS 12 & 13
 SCALE: 1/4"=1'-0"



DETAILS AT END OF RAIL
 SCALE: 1"=1'-0"

POST ANCHORAGE DETAILS
 SCALE: 1/2"=1'-0"

NOTE:
 AT PIER 14 PROVIDE LADDERS & RAILINGS

BRIDGE NO. 1
 STRUCTURE NO. 002-0022
 FOR INFORMATION ONLY

PIER LIGHT, LADDER & RAILING DETAILS
 F.A.I. RTE. 97 OVER THE MISSISSIPPI RIVER
 PROJECT 1-57-9(1)0
 SECTION (02-1B-1)F&E
 ALEXANDER COUNTY, ILLINOIS
 MISSISSIPPI COUNTY, MISSOURI
 STA. 1141 + 84.78 TO STA. 1162 + 75.25