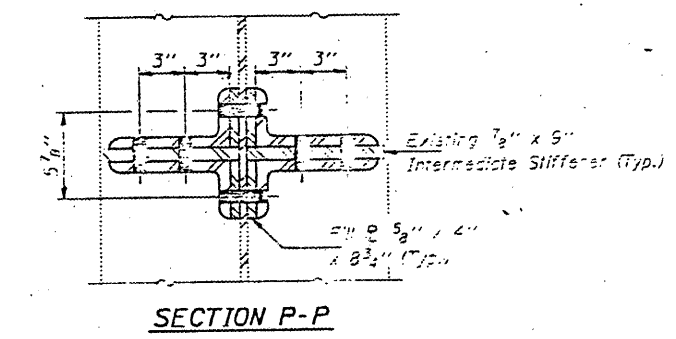
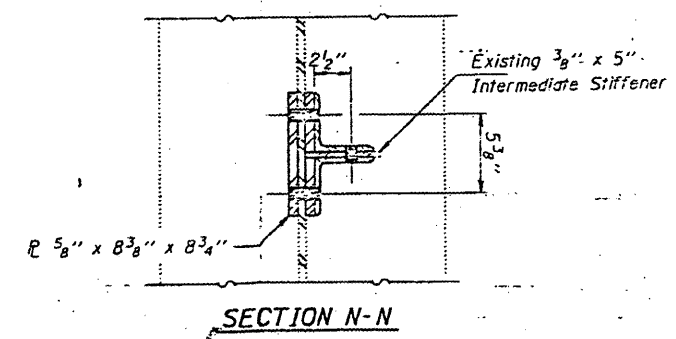
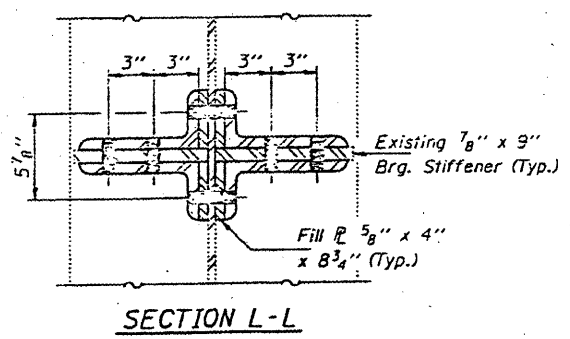
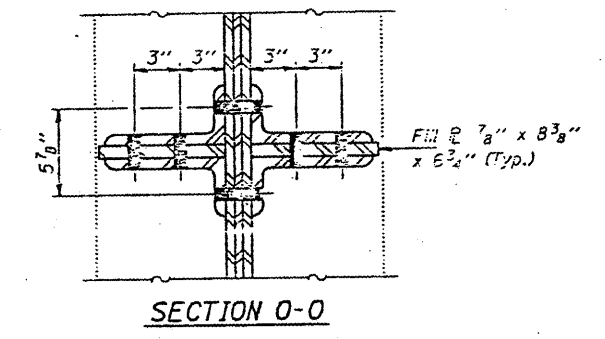
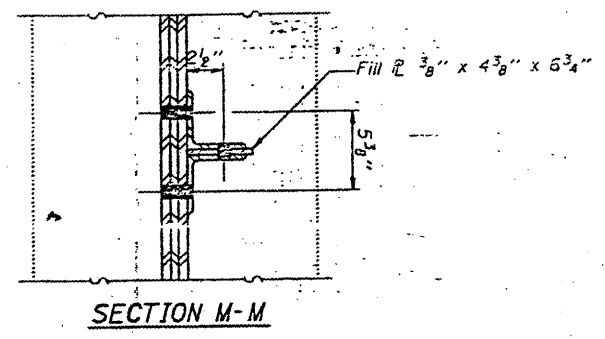
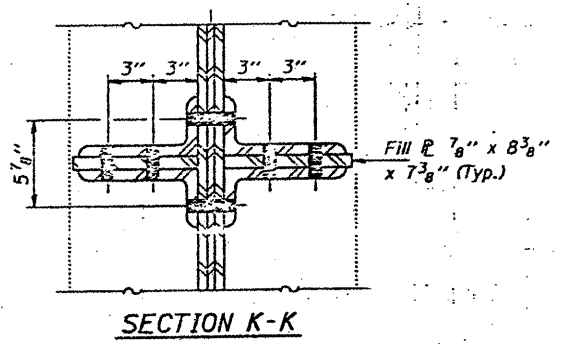
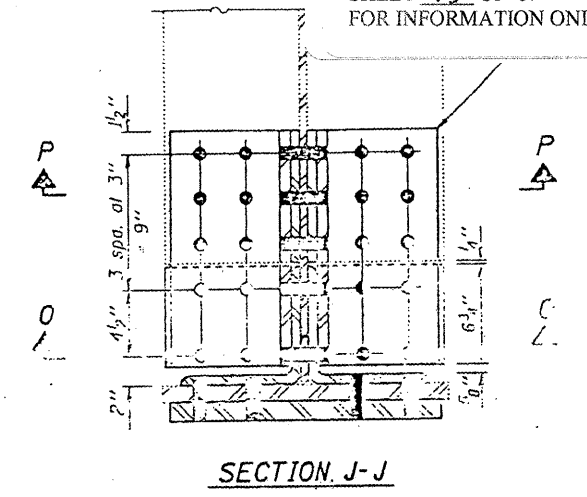
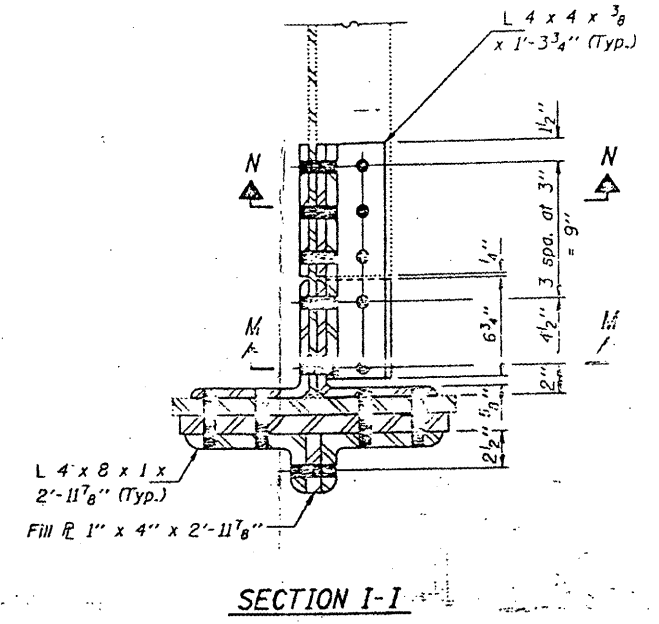
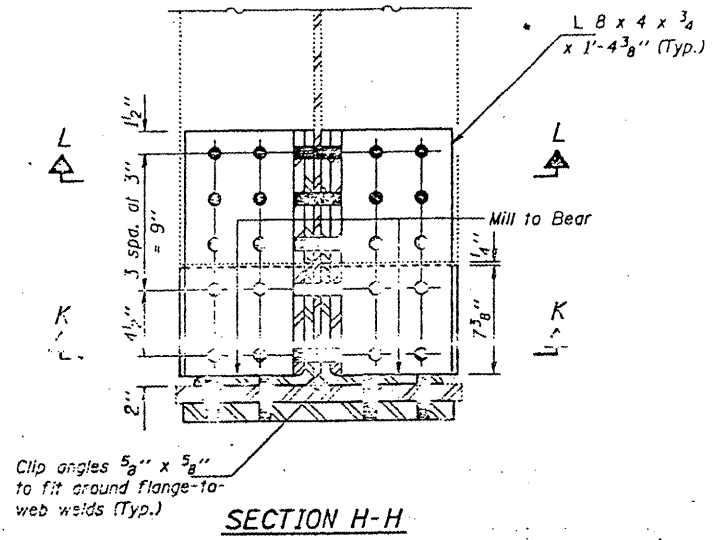


STATE OF ILLINOIS
DEPARTMENT OF TRANSPORTATION

CONTRACT: 78040
ROUTE: F.A.I. 57
SECTION: (02-1B-1)P-1
COUNTY: ALEXANDER, IL; MISSISSIPPI, MO
SHEET 43 OF 67
FOR INFORMATION ONLY



DESIGNED <i>Kenneth P. Smith</i>	EXAMINED <i>Joseph E. Adams</i>
CHECKED <i>CHM</i>	PASSED
DRAWN <i>Paul Summer</i>	APPROVED
CHECKED <i>KPS</i>	<i>CHM</i>

March 8 1923

DIRECTOR OF HIGHWAYS

BRIDGE NO. 1
STRUCTURE NO. 002-0022
FOR INFORMATION ONLY

FLOOR BEAM REPAIRS
F.A.I. RT. 57 SEC. (02-1B-1) (DL-63)
ALEXANDER COUNTY
STA. 1168+50
STR. No. 002-0022