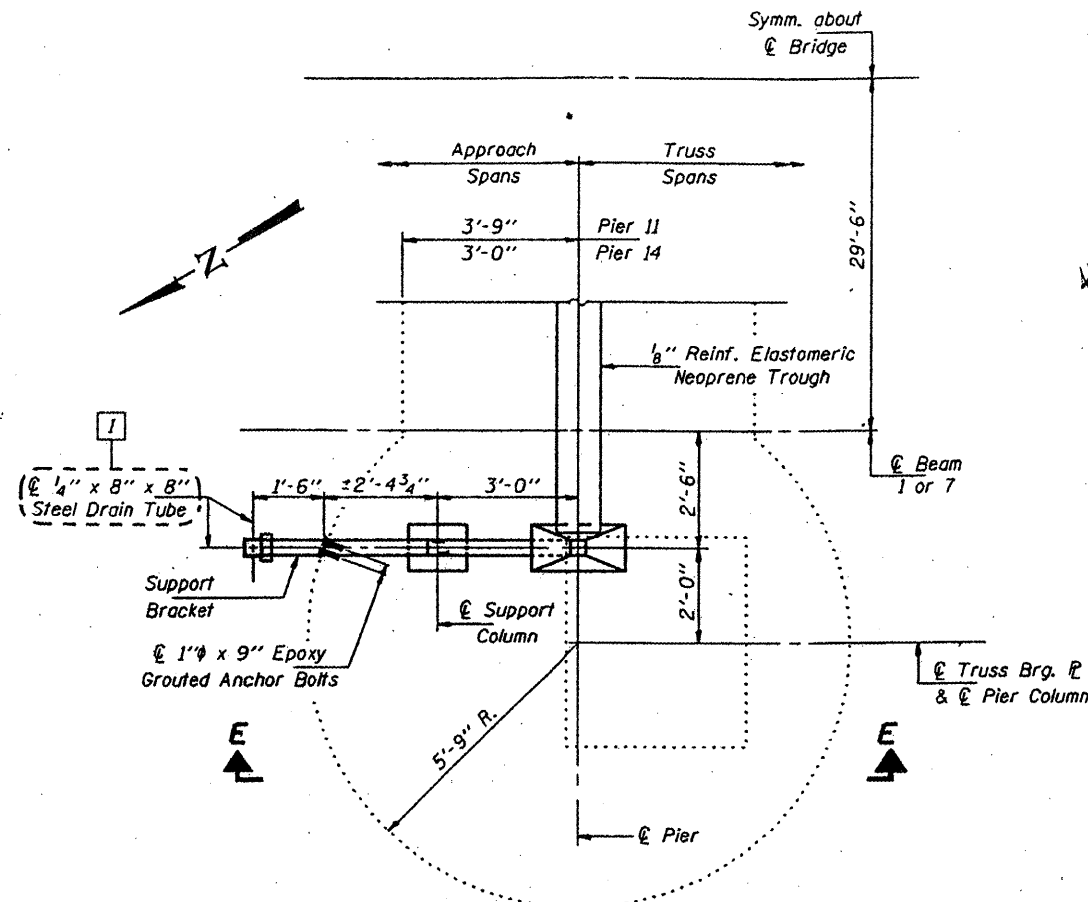
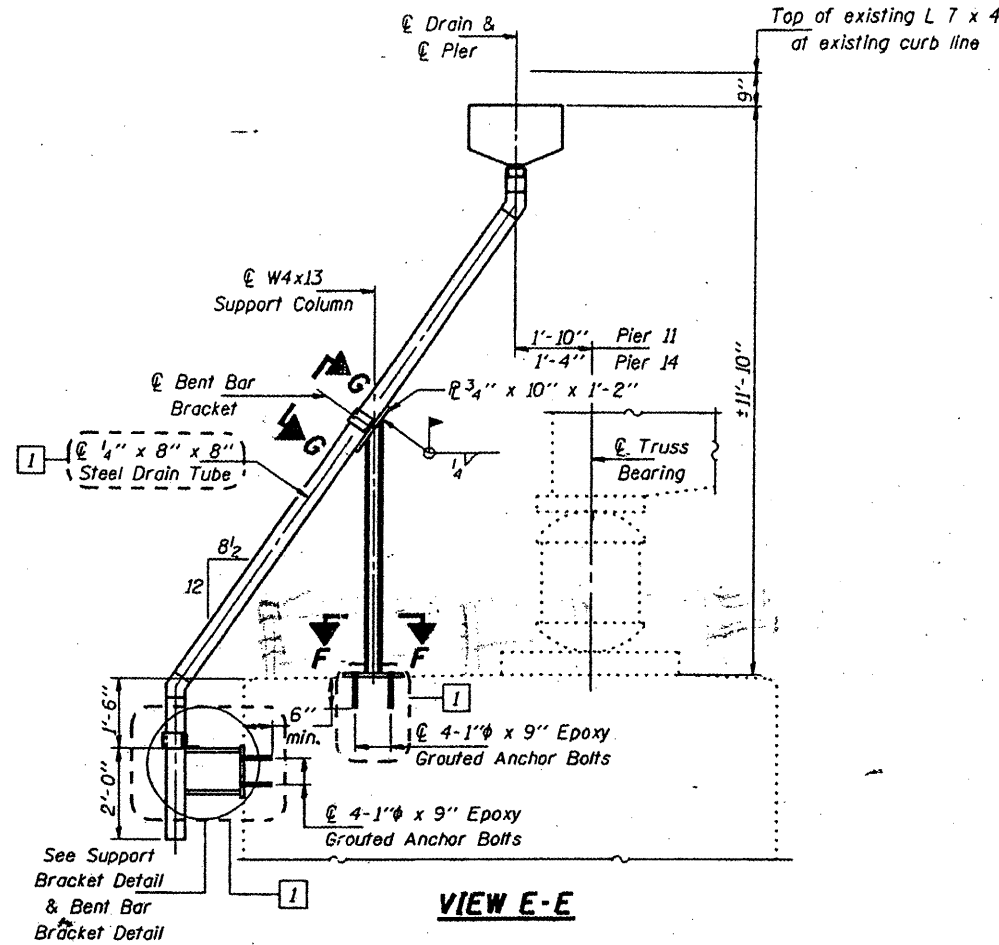


STATE OF ILLINOIS  
DEPARTMENT OF TRANSPORTATION

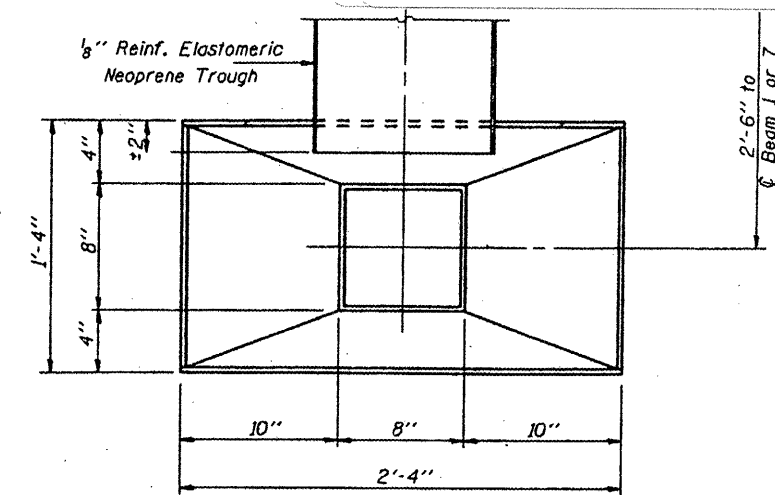
CONTRACT: 78040  
ROUTE: F.A.I. 57  
SECTION: (02-1B-1)P-1  
COUNTY: ALEXANDER, IL; MISSISSIPPI, MO  
SHEET 48 OF 67  
FOR INFORMATION ONLY



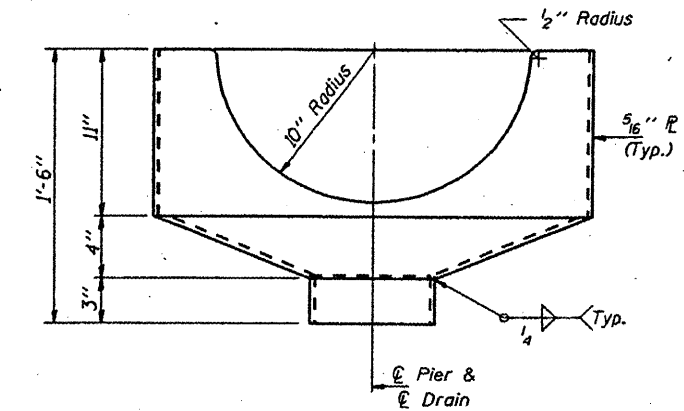
**PARTIAL PLAN - PIER II**  
(Pier 14 similar by rotation of 180°)



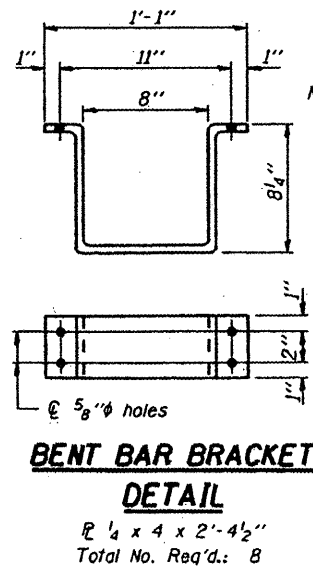
**VIEW E-E**



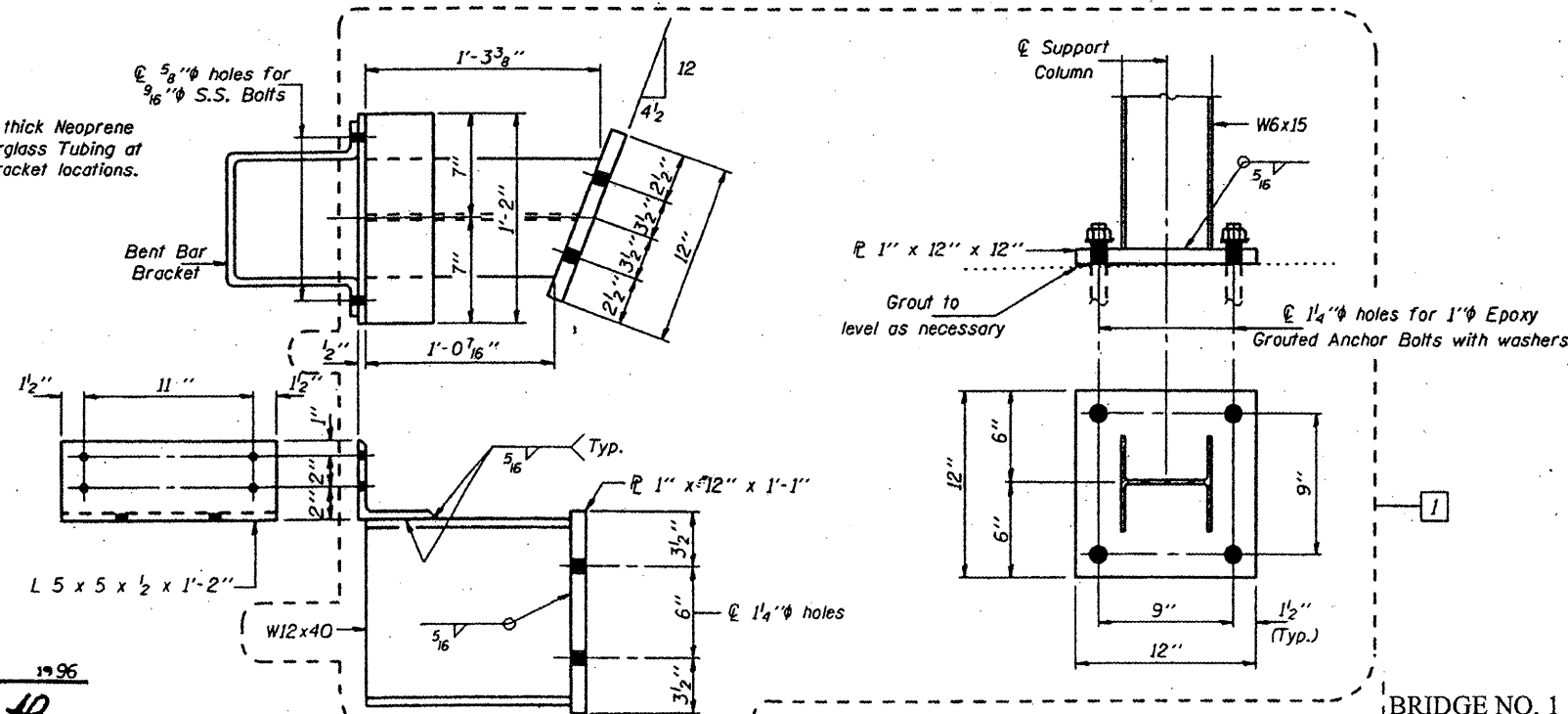
**TOP VIEW**



**DRAIN ELEVATION**  
(Looking out from Bridge)  
Total No. Req'd.: 4

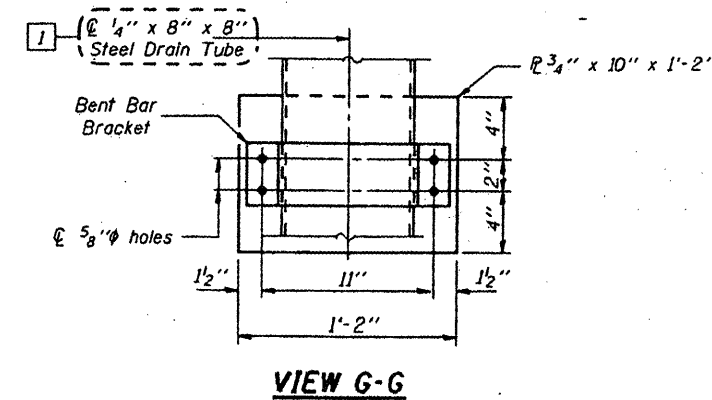


**BENT BAR BRACKET  
DETAIL**  
L 4 x 4 x 2'-4 1/2"  
Total No. Req'd.: 8



**SUPPORT BRACKET**  
Total No. Req'd.: 4

**SECTION F-F**  
Total No. Req'd.: 4



**VIEW G-G**

**DRAIN DETAILS**  
F.A.I. 57 OVER MISSISSIPPI RIVER  
SEC. 02-1B-1  
ALEXANDER COUNTY  
S.N. 002-0022

DESIGNED	DAH KPS	AUGUST 21	1996
CHECKED	NJS	EXAMINED	<i>John E. Adams</i> ENGINEER OF STRUCTURAL SERVICES
DRAWN	D-terbert	PASSED	ENGINEER OF BRIDGES AND STRUCTURES
CHECKED	NJS KPS		

BRIDGE NO. 1  
STRUCTURE NO. 002-0022  
FOR INFORMATION ONLY