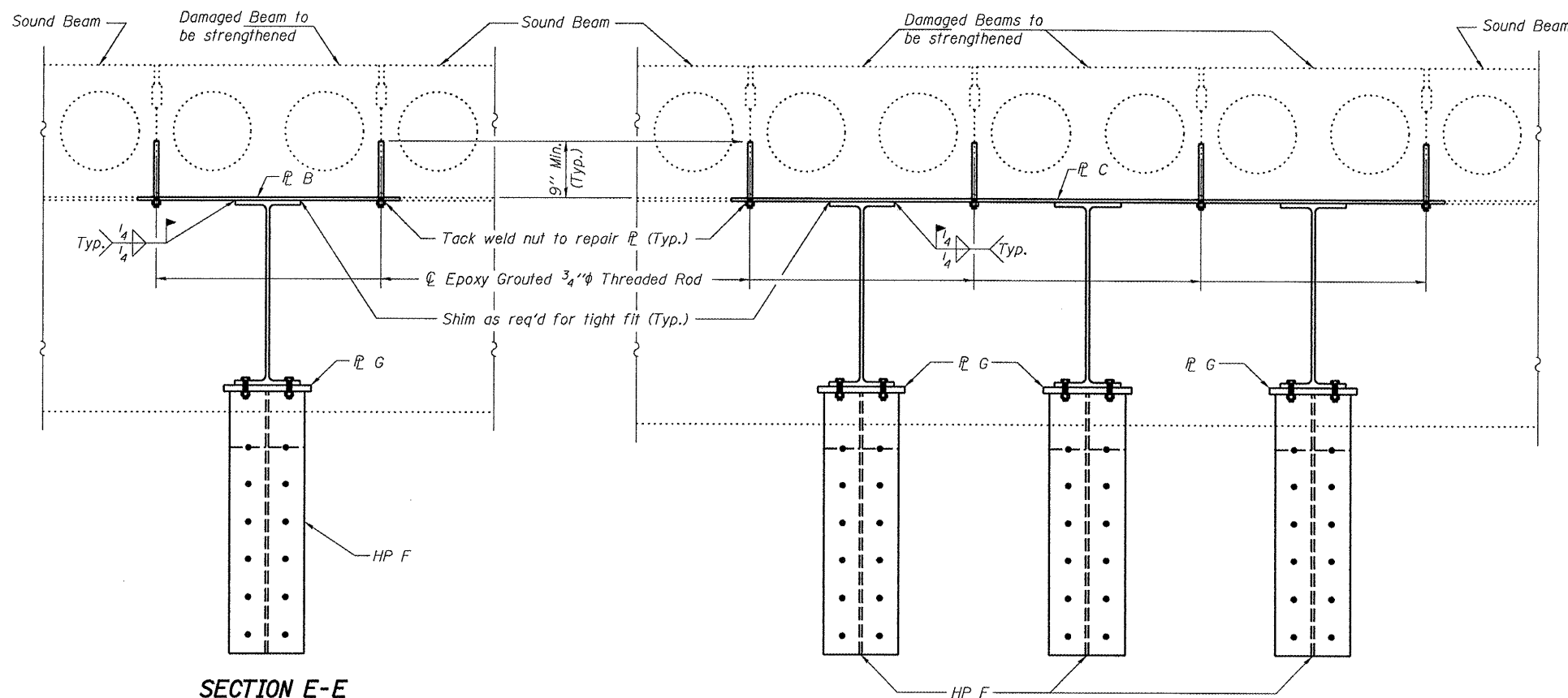


STATE OF ILLINOIS
DEPARTMENT OF TRANSPORTATION

ROUTE NO.	SECTION	COUNTY	SHEET	SHEET
FAP 328		WHITE	5	5
FED. ROAD DIST. NO. 7	ILLINOIS	FED. AID PROJECT		

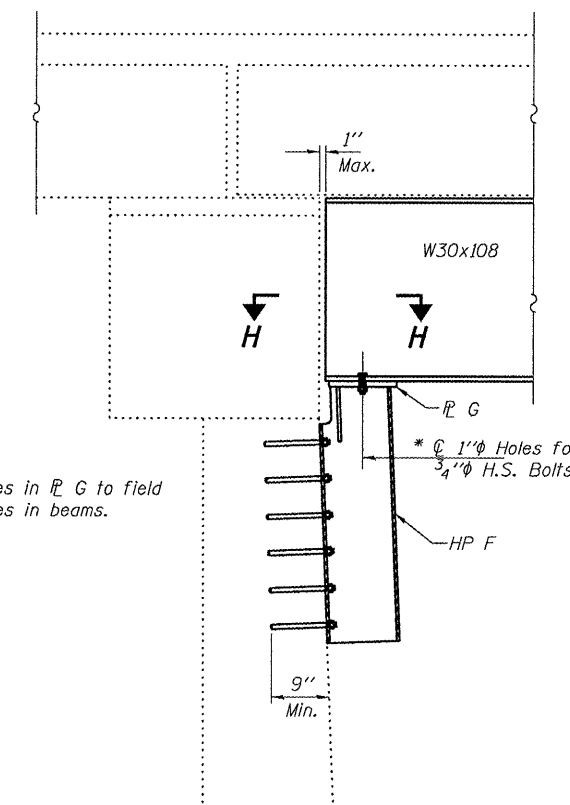
SHEET NO. 3
3 SHEETS

Contract Number: 78063



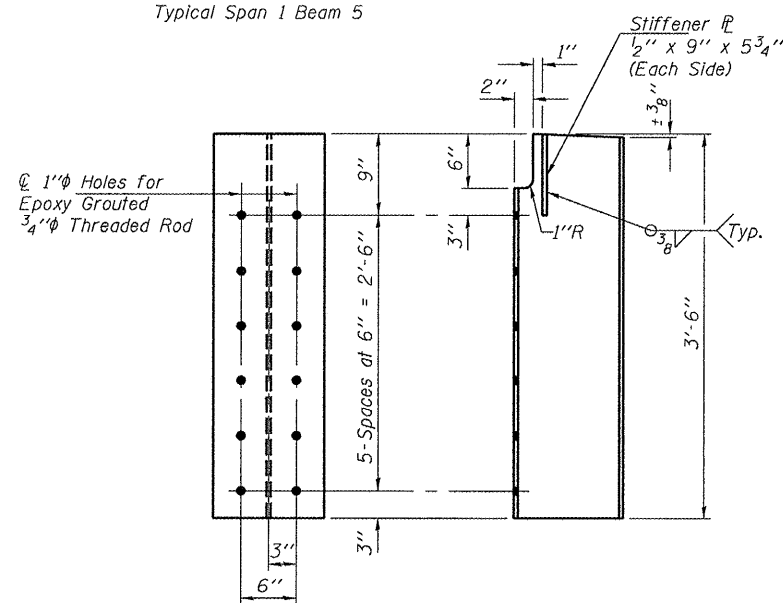
SECTION E-E

Typical Span 1 Beam 5



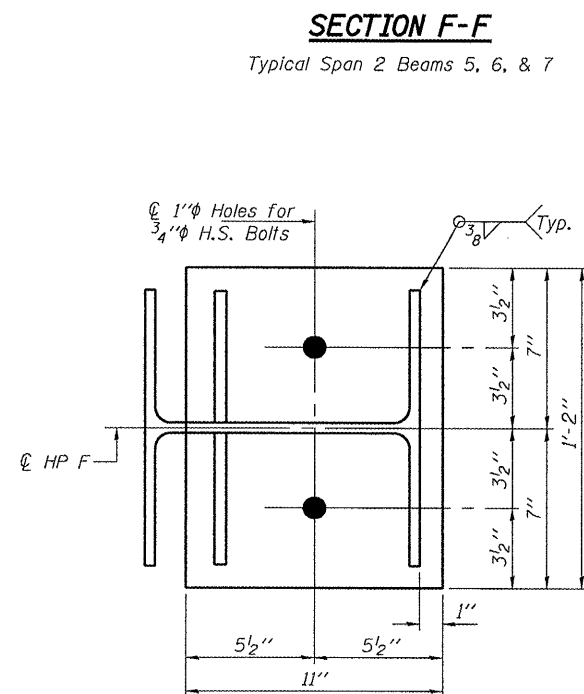
SECTION G-G

(Abutment connection shown, Pier connection similar)
Typical Span 1 Beam 5, Span 2 Beams 5, 6, & 7



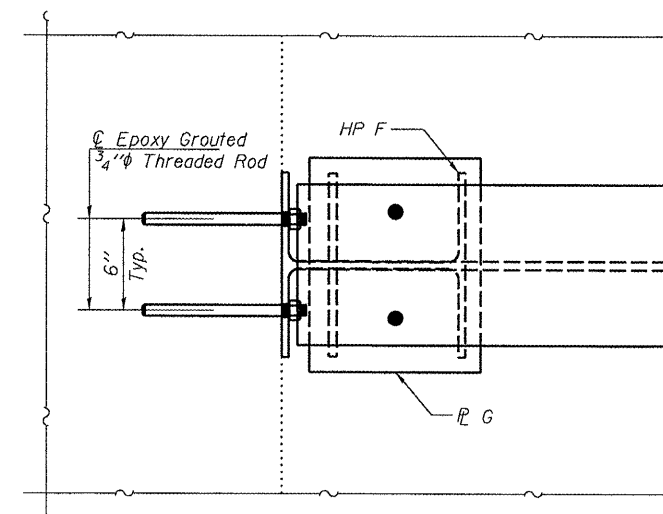
HP F

HP12x53 x 3'-6"
(8 Required)



R G

R 1" x 11" x 1'-2"
(8 Required)



SECTION H-H

DESIGNED	VHV
CHECKED	DAB
DRAWN	Steffen
CHECKED	VHV DAB

APRIL 24, 2008
EXAMINED *Carl Poyner*
ENGINEER OF STRUCTURAL SERVICES
PASSED *Ralph E. Anderson*
ENGINEER OF BRIDGES AND STRUCTURES

REPAIR DETAILS
FAP RT. 328
WHITE COUNTY
SN 097-0022