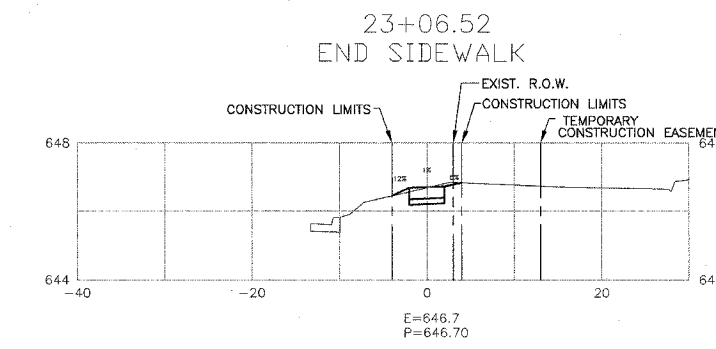
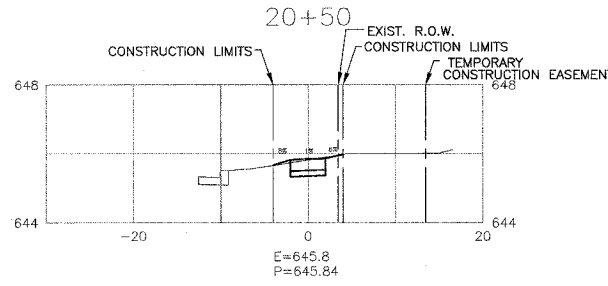
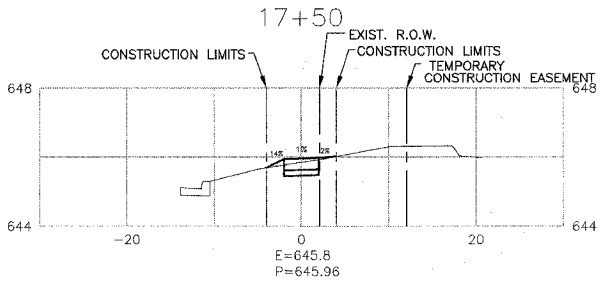
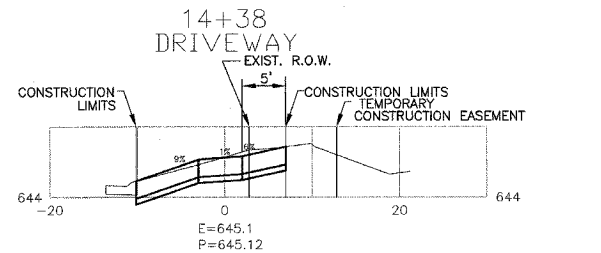
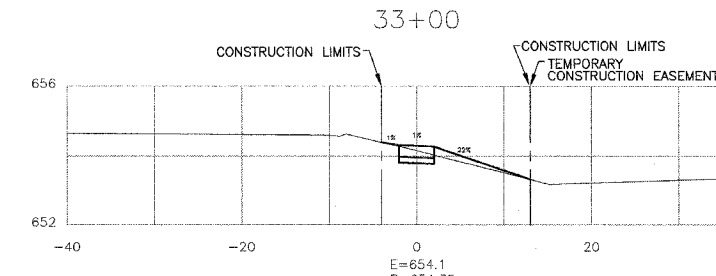
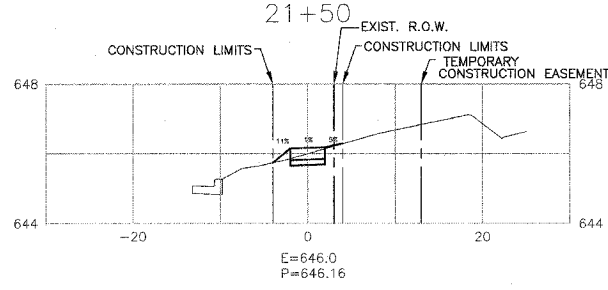
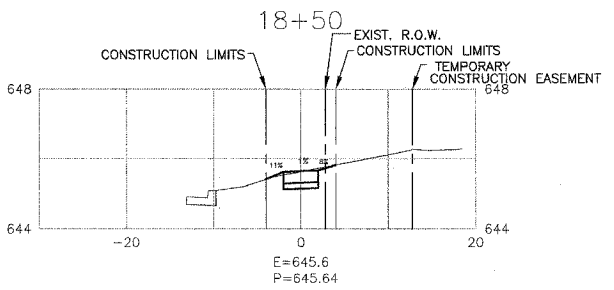
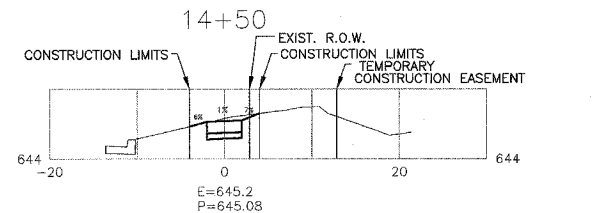
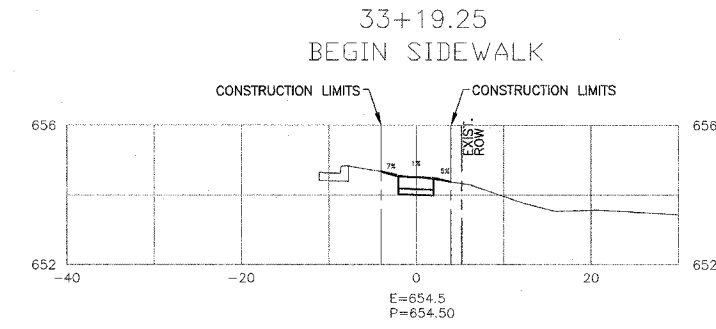
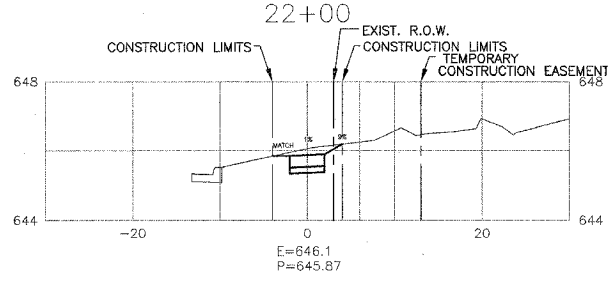
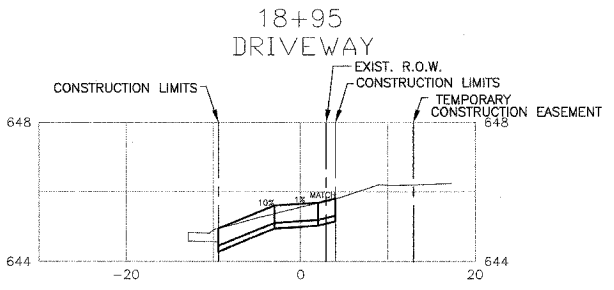
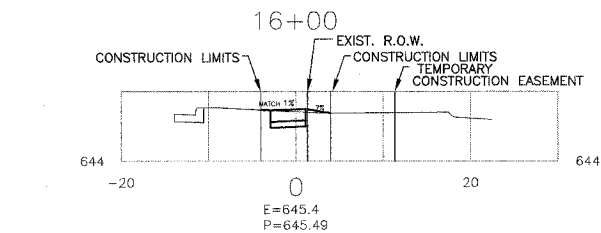
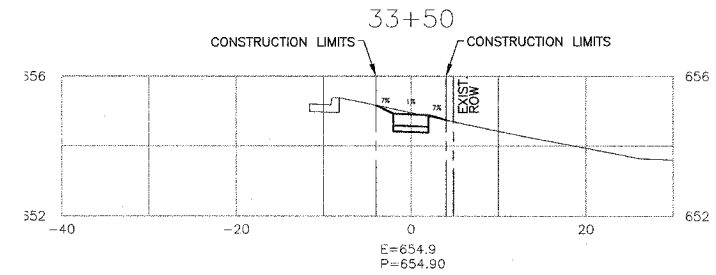
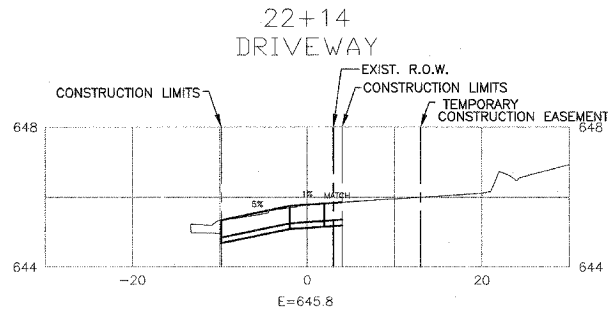
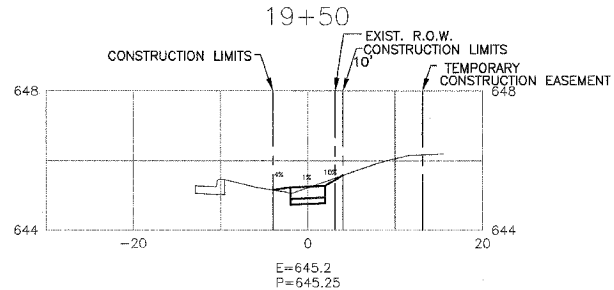
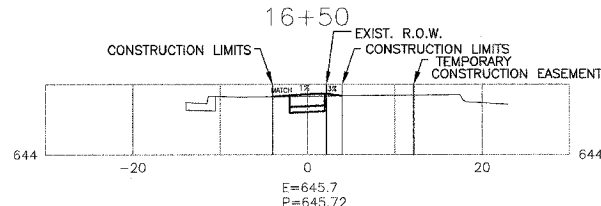
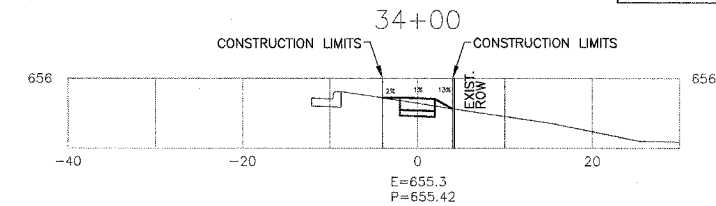
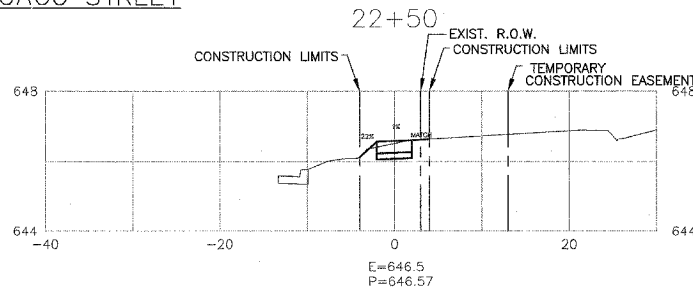
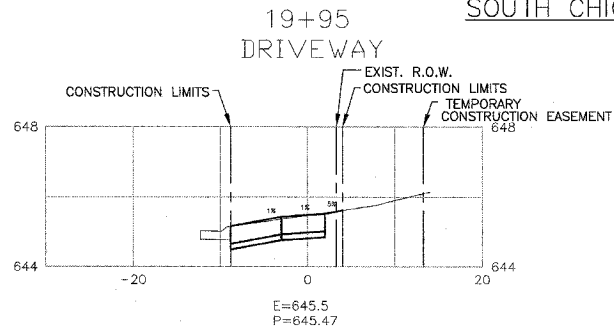
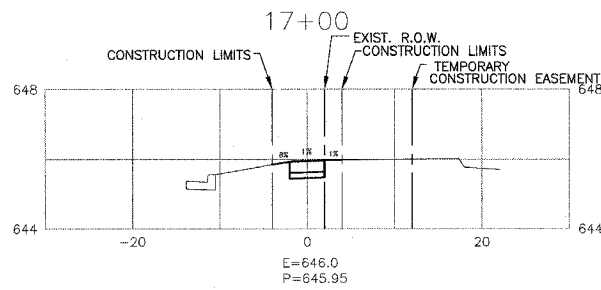


SOUTH CHICAGO STREET

SCALE:
H: 1"=20'
V: 1"=5'



REVISIONS	
No.	DESCRIPTION
1	1. DOT REVIEW
2	2. DOT REVIEW
3	3. DOT FINAL REVIEW

Missman
STANLEY & ASSOCIATES, P.C.
Civil Engineering-Environmental Services-GIS-Landscape Architecture-Surveying
Rock Island, Illinois 61201-6040
1011 27th Avenue
Phone (309) 788-7644
Fax (309) 788-7691

SOUTH CHICAGO ST. SIDEWALK
Geneseo, Illinois
CROSS SECTIONS

Missman Project No:
A07-L019
File Name:
CX 100 SHEET.dwg
© COPYRIGHT 2007
ALL RIGHTS RESERVED
Drawn By: SJD
Checked By: BJV
Date: July 2007