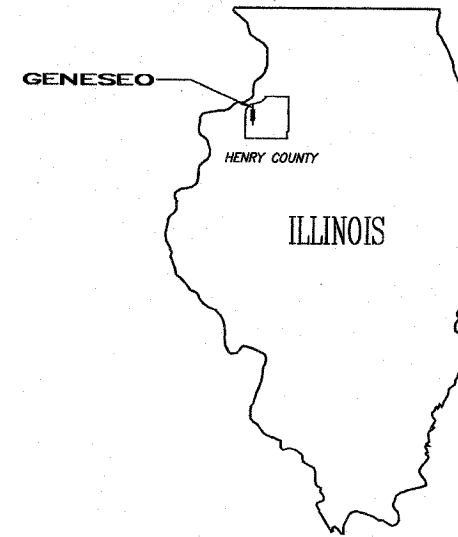




PLANS FOR FEDERAL AID SIDEWALK PROJECT CITY OF GENESEO FAU 5679 SOUTH CHICAGO ST. CITY PARK SECTION 05-00061-00-SW PROJECT NO. HPP-0456(002) JOB NO. C-92-052-06



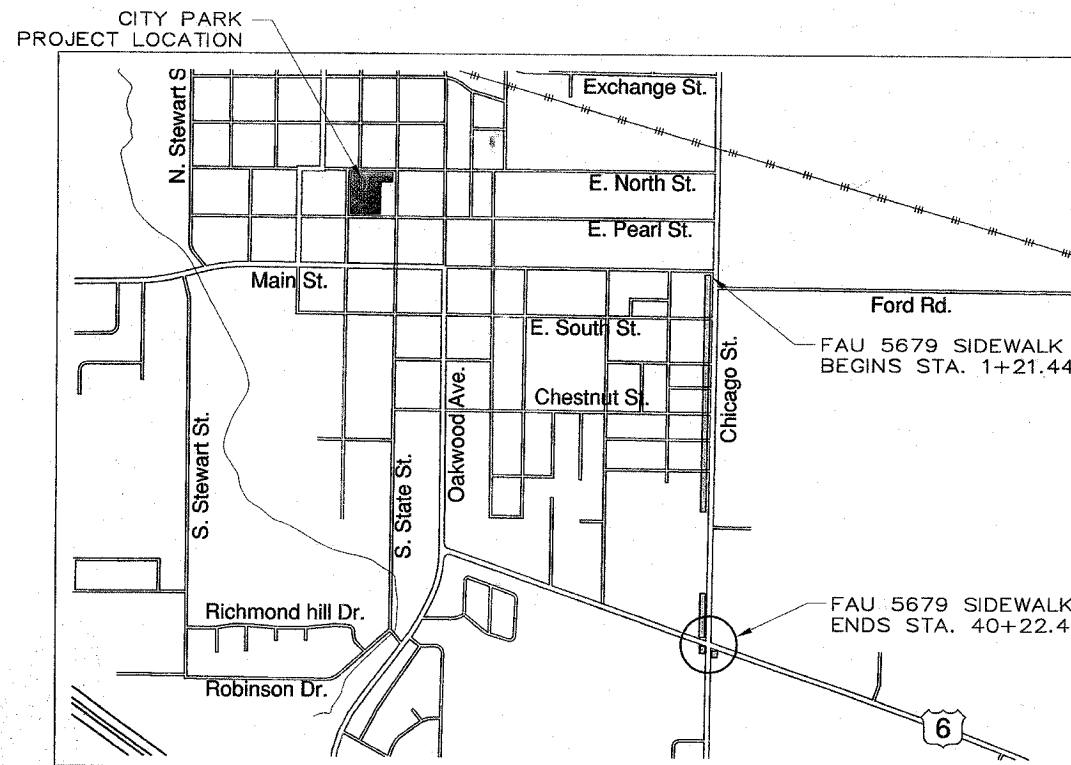
LOCATION OF PROJECT INDICATED THUS:

NET LENGTH OF S. CHICAGO ST. = 3,877 FEET (0.734 MILES)

SCALES: Plan & Profile 1" = 20'

INDEX OF SHEETS	
Sheet No.	Title
1	Cover Sheet
2-3	Summary & Schedule of Quantities, Typical Sections
4-10	Plan & Profile Sheets—Chicago Street
11-12	Plan & Profile Sheets—City Park
13-15	Cross Section Sheets—Chicago Street
16-17	Cross Section Sheets—City Park

STANDARDS	
STD. NO.	TITLE
280001-04	TEMPORARY EROSION CONTROL SYSTEM
424001-05	SIDEWALK RAMPS ACCESSIBLE TO THE DISABLED
701011-01	OFF-RD MOVING OPERATIONS, 2L, 2W DAY ONLY
701801-03	LANE CLOSURE MULTILANE 1 W OR 2 W CROSSWALK OR SIDEWALK CLOSURE
701901	TRAFFIC CONTROL DEVICES
720011	METAL POSTS FOR SIGNS, MARKERS & DELINEATORS
728001	TELESCOPING STEEL SIGN SUPPORT
729001	APPLICATIONS OF TYPES A & B METAL POSTS (FOR SIGNS & MARKERS)



LOCATION MAP
NOT TO SCALE

AGENCY RESPONSIBLE FOR LETTING	
Approved	
City of Geneseo, Street Superintendent	
Passed	February 11, 2008
District 2 Engineer of Local Roads & Streets	
Releasing for Bid Based on Limited Review	February 11, 2008
Deputy Director of Highways, Region 2 Engineer	

WARNING



CALL BEFORE YOU DIG

GENESEO TOWNSHIP
T. 17N., R. 3E., SEC. 21 & 28

CONTRACT NO. 85418

"MISSMAN, STANLEY & ASSOCIATES (MSA) HAS ADOPTED SAFETY PROCEDURES FOR ITS EMPLOYEES WHO PROVIDE PROFESSIONAL ENGINEERING AND SURVEYING SERVICES. A COPY OF THESE PROCEDURES IS AVAILABLE FROM THE SAFETY OFFICER. MSA PERSONNEL ARE NOT TRAINED IN CONTRACTOR (CONSTRUCTION) SAFETY AND COMPLIANCE PROCEDURES. THE METHODS & MEANS TO COMPLY WITH CONSTRUCTION SITE SAFETY ARE THE SOLE RESPONSIBILITY OF THE CONTRACTOR."



I HEREBY CERTIFY THAT THESE PLANS WERE PREPARED BY ME OR UNDER MY DIRECT SUPERVISION AND THAT I AM A DULY LICENSED PROFESSIONAL ENGINEER UNDER THE LAWS OF THE STATE OF ILLINOIS.
B. J. Verdun
BRIAN J. VERDUN
LIC. NO. 062-056081
DATE 02/11/08
EXPIRES 11-30-07



PREPARED BY:
Missman
STANLEY & ASSOCIATES, P.C.
ROCK ISLAND, ILLINOIS
Civil Engineering • Surveying • Environmental Services
Rock Island, Illinois • Rockford, Illinois • Bettendorf, Iowa • Des Moines, Iowa
(309) 788-7944 FAX (309) 788-7921

SUMMARY OF QUANTITIES

Construction Code: SFTY-1B

Item #	Items	Unit	Chicago St. Quantity	City Park Quantity	Total
20200100	Earth Excavation	C.Y.	12.8	0	12.8
20400800	Furnished Excavation	C.Y.	100	0	100
40800050	Incidental Hot Mix Asphalt Surfacing	Ton	4.4	0	4.4
42300200	Portland Cement Concrete Driveway Pavement, 6 Inch	S.Y.	188.3	0	188.3
42400100	Portland Cement Concrete Sidewalk, 4 Inch	S.F.	9,510.7	0	9,510.7
42400800	Detectable Warnings	S.F.	346	0	346
44000200	Driveway Pavement Removal	S.Y.	229.3	0	229.3
550A0410	Storm Sewers, Class A, Type 2 24"	FT.	8	0	8
*56109210	Water Valves to be Adjusted	EA.	2	0	2
60255500	Manholes to be Adjusted	EA.	1	0	1
67100100	Mobilization	L.S.	1	1	2
*70103700	Traffic Control Complete	L.S.	1	0	1
*81400115	Handhole to be Adjusted	EA.	1	0	1
*Z0013798	Construction Layout	L.S.	1	1	2
*XX003952	Temporary Erosion Control (Complete)	L.S.	1	1	2
*XX006344	Sodding (Complete)	S.Y.	1,415.5	334.7	1,750.2
*X0300380	Portland Cement Concrete Sidewalk, 5 Inch Exposed Aggregate	S.F.	0	6,622.3	6,622.3
X0324057	Wooden Fence Relocation	FT.	50	0	50
*X4400220	Curb Removal and Replacement	FT.	221.5	0	221.5

Δ Specialty Items

**SCHEDULE OF QUANTITIES
CHICAGO STREET**

20200100	EARTH EXCAVATION RT., STA. 38+86.57-STA. 39+23.52	C.Y.	12.8		
	TOTAL		12.8		
20400800	FURNISHED EXCAVATION	C.Y.	100		
	TOTAL		100		
40800050	INCIDENTAL HOT MIX ASPHALT SURFACING STA. 6+64	TON	4.4		
	TOTAL		4.4		
42300200	PORTLAND CEMENT CONCRETE DRIVEWAY PAVEMENT, 6" STA. 4+18 STA. 6+64 STA. 7+91 STA. 14+38 STA. 18+95	S.Y.	41.0 9.5 74.1 26.8 36.9		
	TOTAL		188.3		
42400100	PORTLAND CEMENT CONCRETE SIDEWALK 4 INCH STA. 1+21.44-STA. 4+07.53 STA. 4+29.40-STA. 5+41.11 STA. 5+81.62-STA. 6+53.47 STA. 6+72.87-STA. 7+67.49 STA. 8+14.54-STA. 10+05.62 STA. 10+45.03-STA. 12+54.03 STA. 12+92.67-STA. 14+30.34 STA. 14+45.77-STA. 15+03.04 STA. 15+41.19-STA. 17+75.99 STA. 18+10.02-STA. 18+80.34 STA. 19+08.07-STA. 20+80.77 STA. 21+14.38-STA. 22+09.34 STA. 22+18.72-STA. 23+06.52 STA. 33+19.29-STA. 37+94.56 STA. 38+84.89-STA. 39+21.94 STA. 39+76.95-STA. 40+22.42	S.F.	1144.4 446.8 287.4 378.5 764.3 836.0 550.7 229.1 939.2 281.3 690.8 379.8 351.2 1901.1 148.2 181.9		
	TOTAL		9,510.7		

**SCHEDULE OF QUANTITIES
CHICAGO STREET (CONT.)**

42400800	DETECTABLE WARNINGS STA. 1+23.98 STA. 5+38.51 STA. 5+82.31 STA. 10+03.67 STA. 10+46.89 STA. 12+52.07 STA. 12+94.59 STA. 15+01.07 STA. 15+43.09 STA. 17+73.96 STA. 18+12.02 STA. 20+78.73 STA. 21+16.21 STA. 37+94.56 STA. 38+84.89 STA. 39+21.92 STA. 39+76.97	S.F.	23.8 26.5 17.8 17.9 24.0 25.0 24.3 17.1 23.8 30.3 26.6 29.0 19.9 8.1 12.1 11.7 8.1		
	TOTAL		346		
44000200	DRIVEWAY PAVEMENT REMOVAL STA. 4+18 STA. 6+64 STA. 7+91 STA. 14+38 STA. 18+95	S.Y.	41.0 35.6 89.0 26.8 36.9		
	TOTAL		229.3		
550A0410	STORM SEWERS, CLASS A, TYPE 2 24" 22.63' RT. STA. 37+75.97	FT.	8		
	TOTAL		8		
56109210	WATER VALVES TO BE ADJUSTED 1.84' RT. STA. 8+54.51 2.25' LT. STA. 9+54.07	EACH	1 1		
	TOTAL		2		
60255500	MANHOLES TO BE ADJUSTED .55' RT., STA. 5+22.57	EACH	1		
	TOTAL		1		
67100100	MOBILIZATION	L.S.	1		
	TOTAL		1		
70103700	TRAFFIC CONTROL COMPLETE	LS	1		
	TOTAL		1		
81400115	HANDHOLE TO BE ADJUSTED 20.61' RT. STA. 39+23.77	EACH	1		
	TOTAL		1		
Z0013798	CONSTRUCTION LAYOUT	L.S.	1		
	TOTAL		1		
XX003952	TEMPORARY EROSION CONTROL (COMPLETE)	L.S.	1		
	TOTAL		1		

**SCHEDULE OF QUANTITIES
CHICAGO STREET (CONT.)**

XX006344	SODDING (COMPLETE)	S.Y.	37.2 5.6 61.3 49.6 31.9 42.1 84.9 92.9 61.2 25.5 26.1 31.3 34.9 33.9 42.2 39.0 121.3 410.4 164.0 20.2		
	TOTAL		1,415.5		
X0324057	WOODEN FENCE RELOCATION 0.96' RT. STA. 16+69.24-0.85' RT. STA. 17+19.43	FT.	50		
	TOTAL		50		
X4400220	CURB REMOVAL AND REPLACEMENT STA. 1+23.98 STA. 5+38.51 STA. 5+82.31 STA. 10+03.67 STA. 10+46.89 STA. 12+52.07 STA. 12+94.59 STA. 15+01.07 STA. 15+43.09 STA. 17+73.96 STA. 18+12.02 STA. 20+78.73 STA. 21+16.21 STA. 37+94.56 STA. 38+84.89 STA. 39+21.92 STA. 39+76.97	F.T.	15.9 17.4 13.0 11.9 15.4 16.5 16.2 11.6 16.0 19.4 17.4 18.6 13.1 4.0 5.2 5.9 4.0		
	TOTAL		221.5		

EARTHWORK SCHEDULE

LOCATION	EARTH EXCAVATION CUBIC YARD	EARTH EXCAVATION ADJUSTED FOR SHRINKAGE CUBIC YARD	EMBANKMENT CUBIC YARD	EARTHWORK BALANCE WASTE (+) OR SHORTAGE (-) CUBIC YARD
STA. 35+47.73 TO STA. 37+91.79	0	0	109.6	-109.6
STA. 38+86.57 TO STA. 39+23.52	12.8	9.6	0	9.6
TOTAL	12.8	9.6	109.6	-100.0

EARTH EXCAVATION=12.8 CUBIC YARDS
FURNISHED EXCAVATION=100.0 CUBIC YARDS

REVISIONS	DATE	DESCRIPTION
1	8-6-07	IDOT REVIEW
2	9-10-07	IDOT REVIEW
3	9-28-07	IDOT REVIEW
4	11-14-07	IDOT FINAL REVIEW
5	12-17-07	GENESEO ADDITION
6	01-16-08	

Missman
STANLEY & ASSOCIATES, P.C.
Civil Engineering, Environmental Services, GIS, Landscape Architecture, Surveying
1011 27th Avenue
Rock Island, Illinois 61201-6040
Phone (309) 788-7644 Fax (309) 788-1881

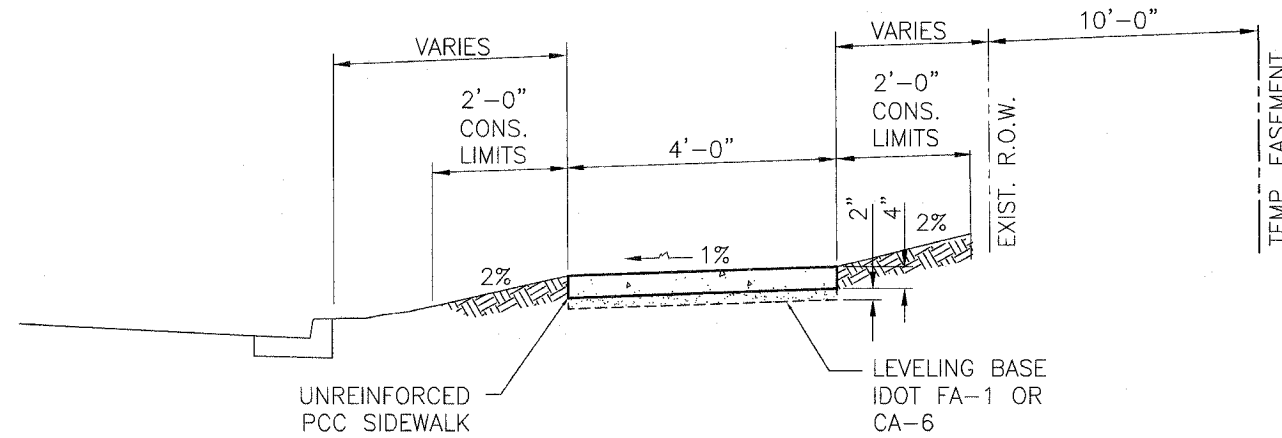
**SOUTH CHICAGO ST/CITY PARK SIDEWALK
GENESEO, ILLINOIS**

SUMMARY & SCHEDULE OF QUANTITIES

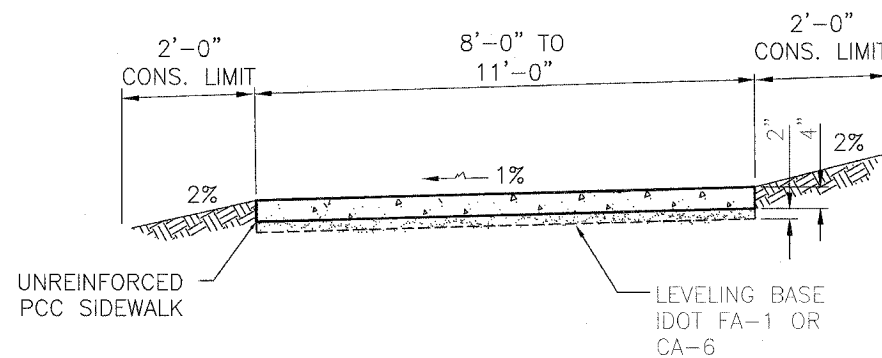
Missman Project No:
A07-L019
File Name:
SUMSCHED.dwg
© COPYRIGHT 2007
ALL RIGHTS RESERVED
Drawn By: SJD
Checked By: BJV
Date: AUG 2007

**SCHEDULE OF QUANTITIES
CITY PARK**

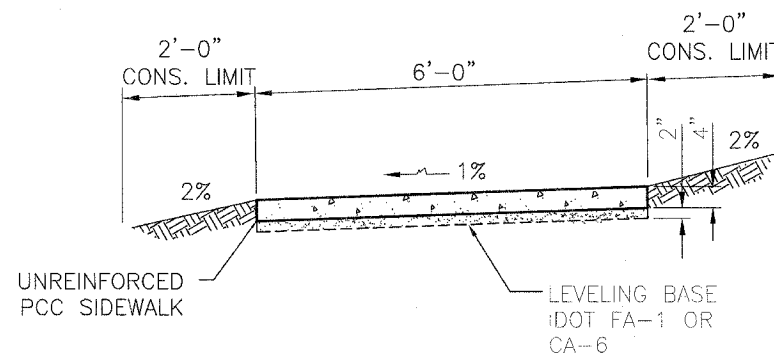
67100100	MOBILIZATION	L.S.	1
	TOTAL		1
Z0013798	CONSTRUCTION LAYOUT	L.S.	1
	Total		1
XX003952	TEMPORARY EROSION CONTROL (COMPLETE)	L.S.	1
	TOTAL		1
XX006344	SODDING (COMPLETE)	S.Y.	
	LT. & RT. STA. 0+15.97-STA. 0+26.98		4.9
	LT. & RT. STA. 0+36.98-STA. 3+37.05		133.4
	RT. STA. 20+00.00-STA. 23+44.00		76.5
	LT. STA. 20+00-STA. 23+04.02		67.6
	LT. STA. 23+12.54-STA. 23+44.00		7.0
	LT. STA. 30+00.00-STA. 30+46.18		10.3
	RT. STA. 30+12.15-STA. 30.46.18		7.6
	LT. & RT. STA. 30+63.14-STA. 31+08.80		17.4
	LT. & RT. STA. 40+00.00-STA. 40+05.47		2.4
	LT. STA. 50+05.04-STA. 50+25.58		4.6
	RT. STA. 50+12.27-STA. 50+25.58		3.0
	Total		334.7
XX0300380	PORTLAND CEMENT CONCRETE SIDEWALK 5 INCH, EXPOSED AGGREGATE	S.F.	
	STA. 0+15.97-STA. 3+37.05		3,586.5
	STA. 20+00.00-STA. 23+44.00		2,153.2
	STA. 30+00.00-STA. 30+46.18		374.7
	STA. 30+63.14-STA. 31+08.80		363.2
	STA. 40+00.00-STA. 40+07.11		43.4
	STA. 50+08.69-STA. 50+25.58		101.3
	Total		6,622.3



**TYPICAL SIDEWALK SECTION
CHICAGO STREET**



**TYPICAL SIDEWALK SECTION
CITY PARK-EAST SIDEWALK**



**TYPICAL SIDEWALK SECTION
CITY PARK-WEST SIDEWALK**

REVISIONS	
No.	DESCRIPTION
1	DOT REVIEW
2	IDOT REVIEW
3	IDOT FINAL REVIEW

Missman
STANLEY & ASSOCIATES, P.C.
Civil Engineering, Environmental Services, GIS, Landscape Architecture, Surveying
1011 27th Avenue
Rock Island, Illinois 61201-6040
Phone (309) 788-7644
Fax (309) 788-7681

**SOUTH CHICAGO ST/CITY PARK SIDEWALK
GENESEO, ILLINOIS**

SUMMARY & SCHEDULE OF QUANTITIES

Missman Project No:
A07-L019

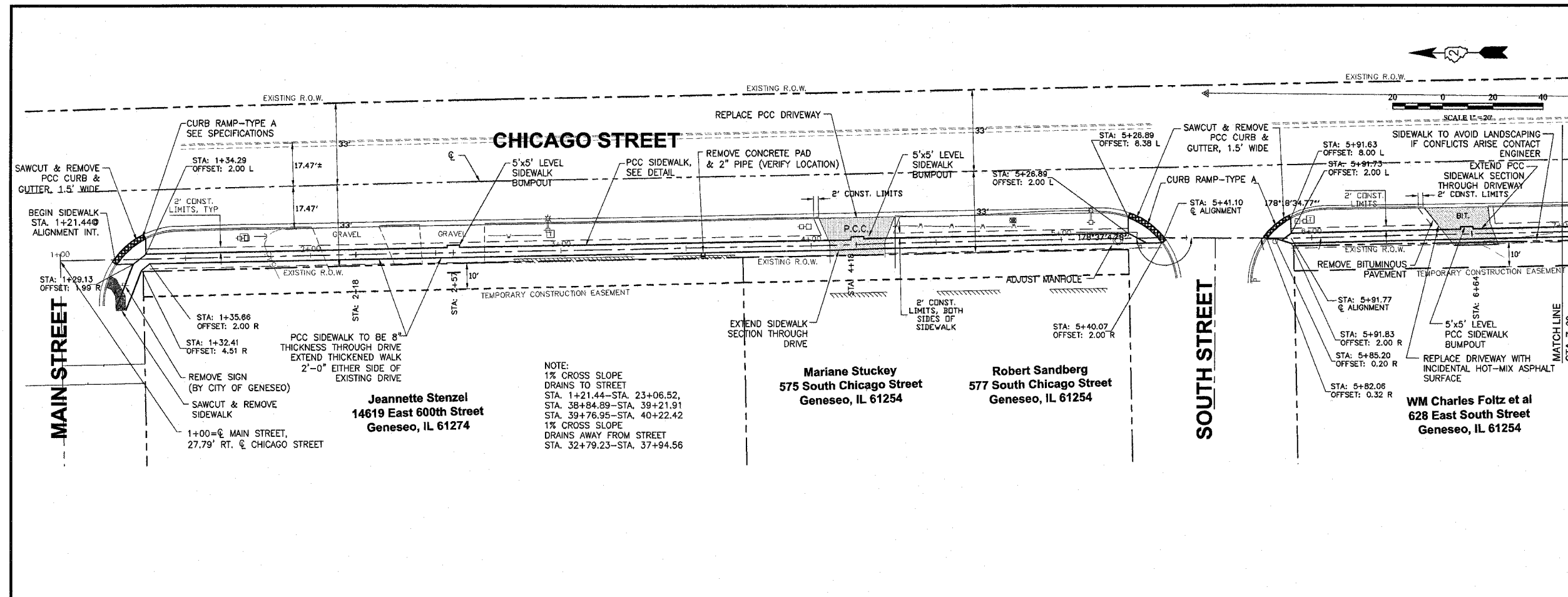
File Name:
SUMSCHED.dwg

© COPYRIGHT 2007
ALL RIGHTS RESERVED

Drawn By: SJD

Checked By: BJV

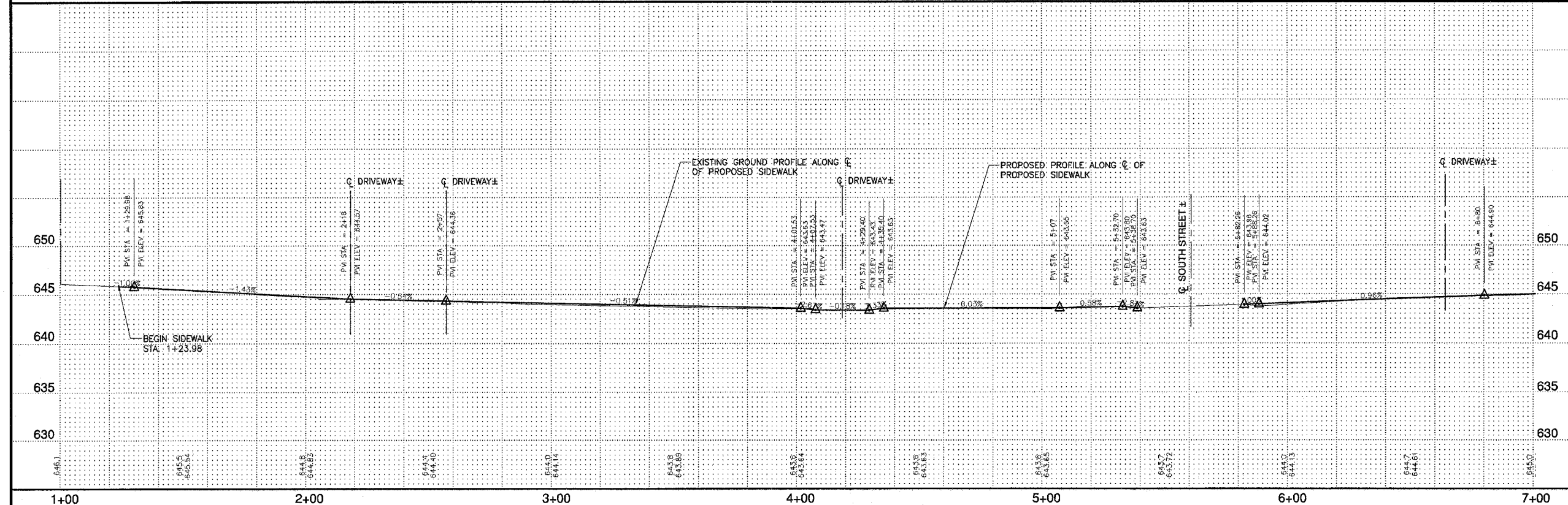
Date: AUG 2007



NO.	REVISIONS	DESCRIPTION	DATE
1	DOT REVIEW		8-6-07
2	DOT REVIEW		9-28-07
3	DOT REVIEW		11-14-07
4	DOT FINAL REVIEW		12-17-07
5	GENESEO ADDITION		1-16-08

Missman
STANLEY & ASSOCIATES, P.C.

Civil Engineering - Environmental Services - GIS - Landscape Architecture - Surveying
1011 27th Avenue
Rock Island, Illinois 61201-6040
Phone (309) 785-7644 Fax (309) 786-7681



Missman Project No: A07-L019

File Name: CS 101 SHEETS.dwg

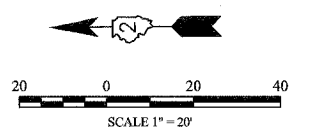
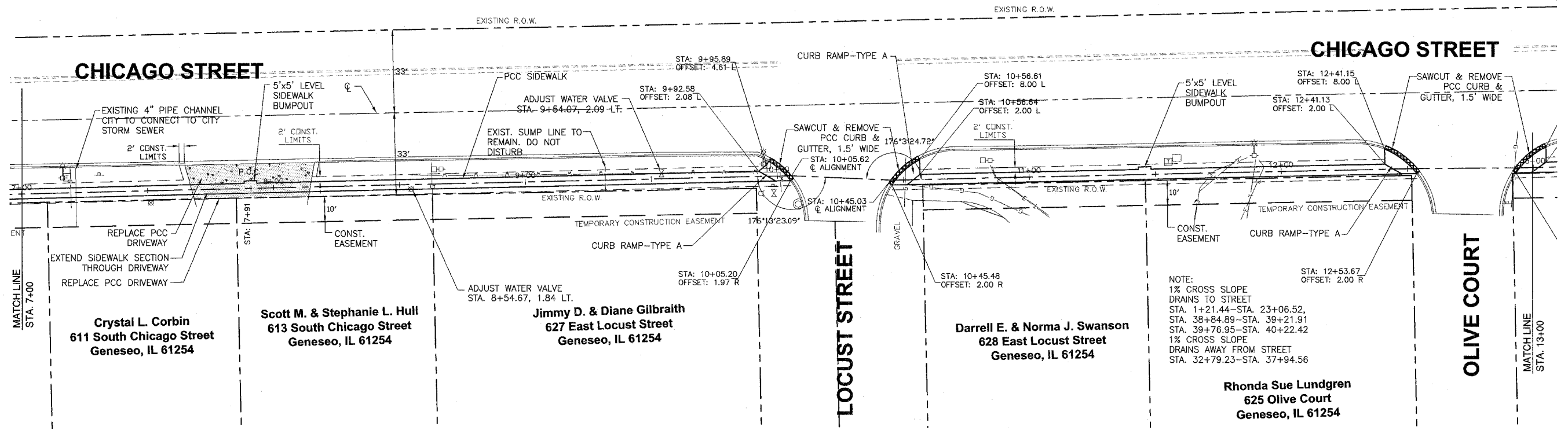
© COPYRIGHT 2003 ALL RIGHTS RESERVED

Drawn By: SJD

Checked By: BJV

Date: JULY 2007

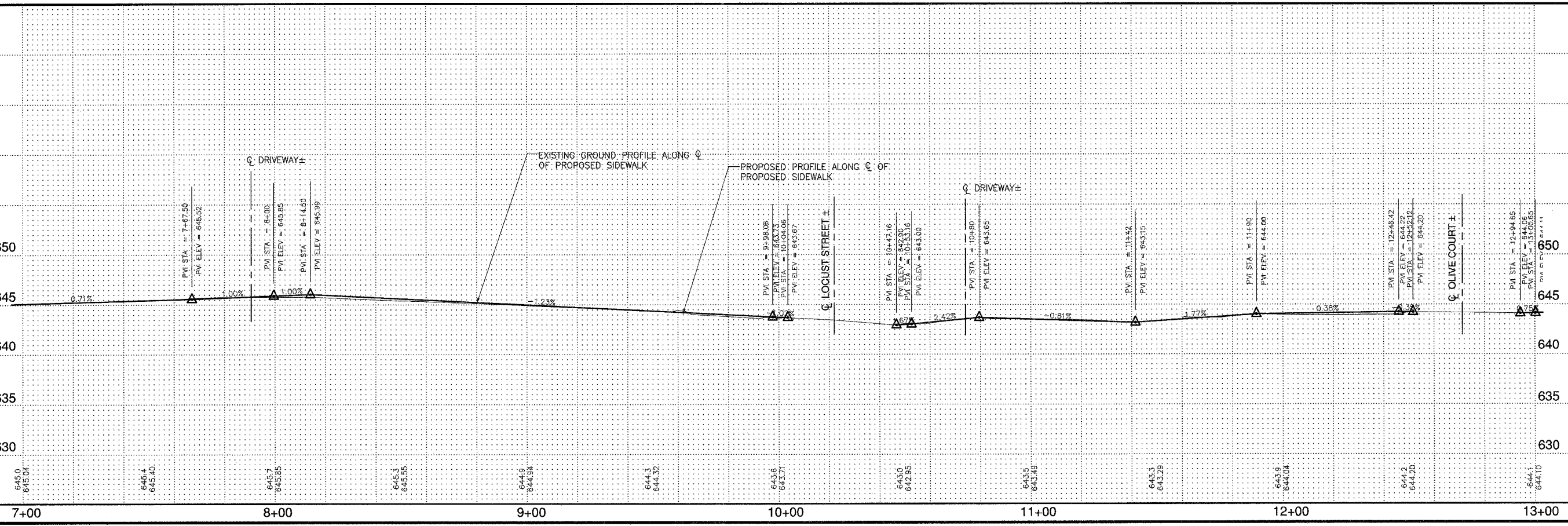
Sheet 4 of 17



NO.	DESCRIPTION	DATE
1	IDOT REVIEW	8-6-07
2	IDOT REVIEW	9-28-07
3	IDOT REVIEW	11-14-07
4	IDOT FINAL REVIEW	12-17-07

Missman
STANLEY & ASSOCIATES, P.C.

Civil Engineering-Environmental Services-GIS-Landscape Architecture-Surveying
1011 27th Avenue
Rock Island, Illinois 61201-6040
Phone (309) 788-7844
Fax (309) 788-7881

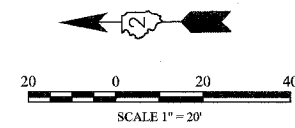
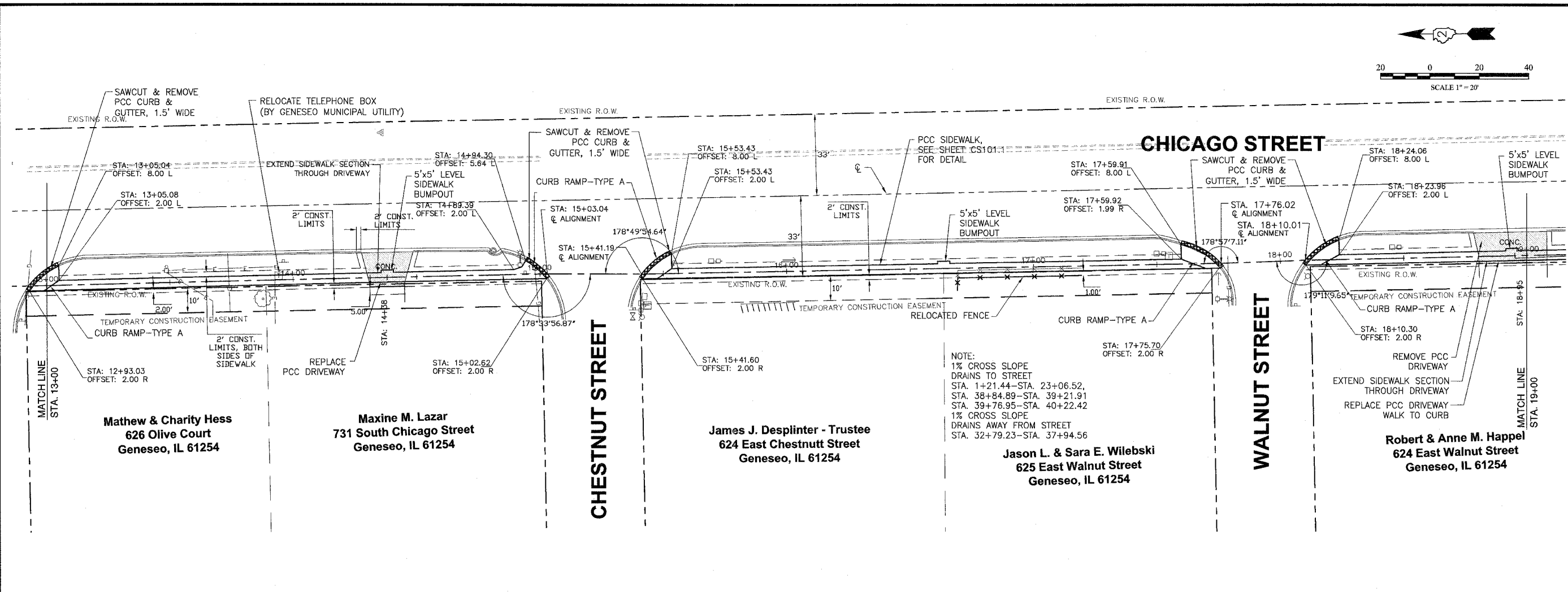


SOUTH CHICAGO ST. SIDEWALK
Geneseo, Illinois

PLAN AND PROFILES

Missman Project No: A07-L019
File Name: CS 101 SHEETS.dwg
© COPYRIGHT 2003 ALL RIGHTS RESERVED
Drawn By: SJD
Checked By: BJV
Date: JULY 2007

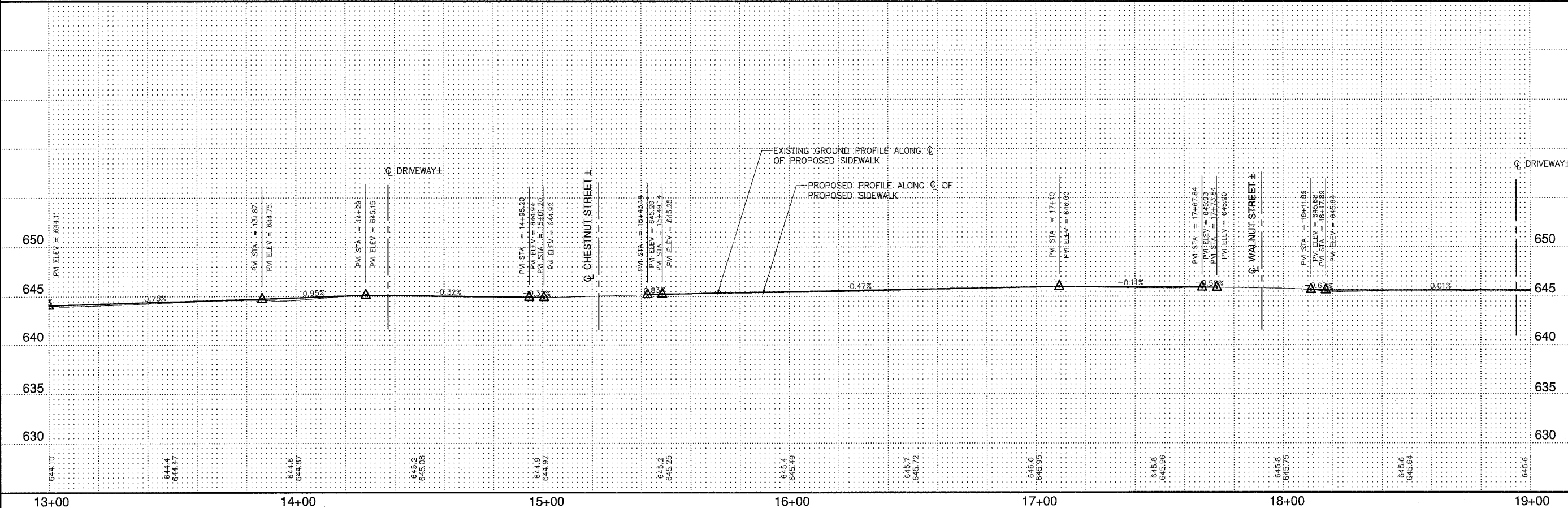
Sheet 5 of 17



NO.	DATE	DESCRIPTION
1	8-6-07	IDOT REVIEW
2	9-26-07	IDOT REVIEW
3	11-14-07	IDOT REVIEW
4	12-17-07	IDOT FINAL REVIEW

Missman
STANLEY & ASSOCIATES, P.C.

Civil Engineering/Environmental Services/GIS/Landscape Architecture/Surveying
1011 27th Avenue
Rock Island, Illinois 61201-6040
Phone (309) 788-7644 Fax (309) 788-7691

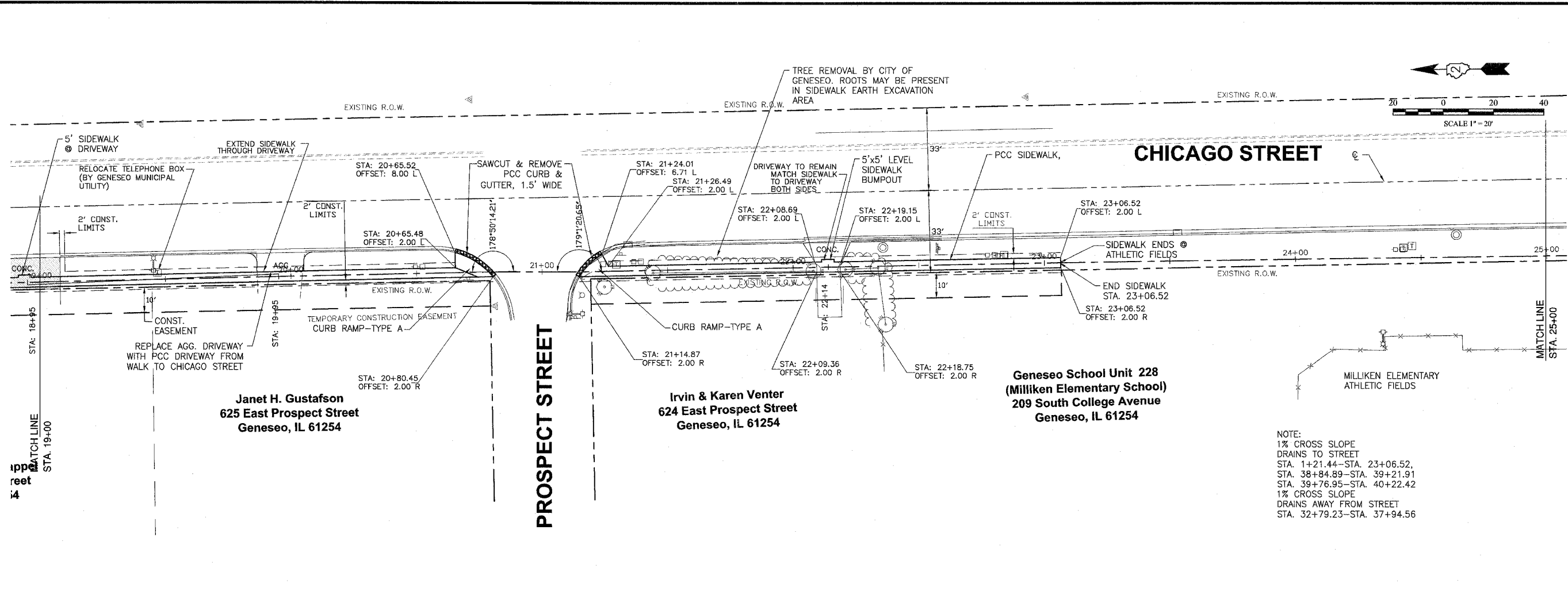


SOUTH CHICAGO ST. SIDEWALK
Geneseo, Illinois

PLAN AND PROFILES

Missman Project No: A07-L019
File Name: CS 101 SHEETS.dwg
© COPYRIGHT 2003 ALL RIGHTS RESERVED
Drawn By: SJD
Checked By: BJV
Date: JULY 2007

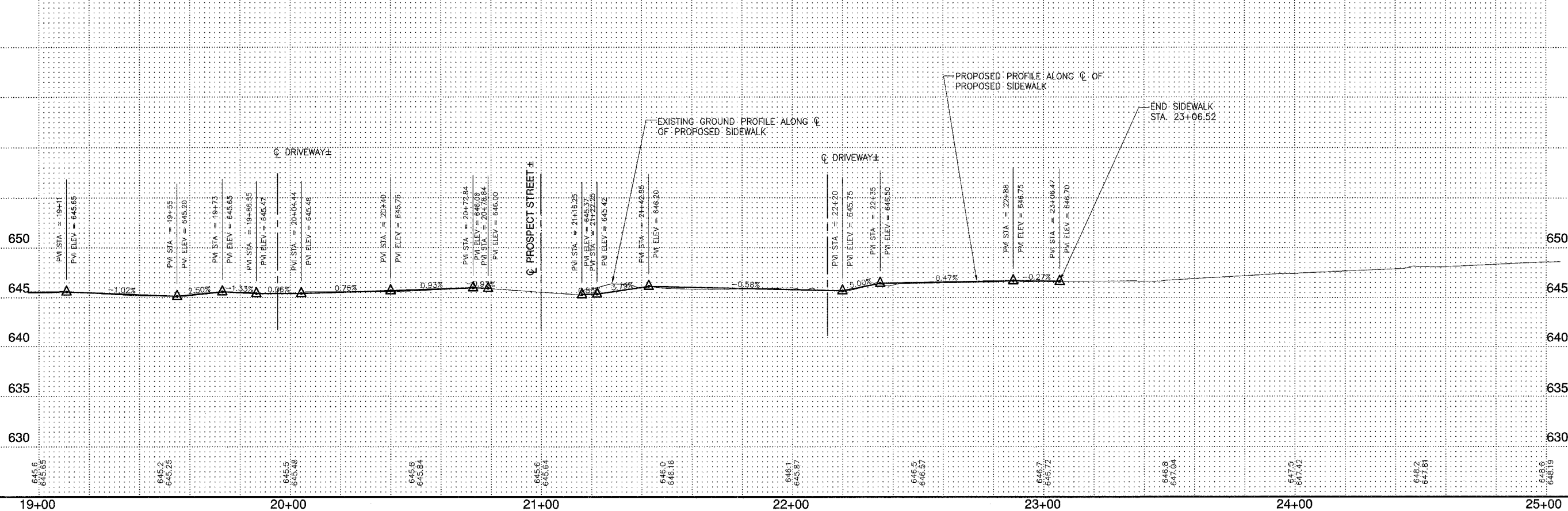
Sheet 6 of 17



REVISIONS	
NO.	DESCRIPTION
1	IDOT REVIEW
2	IDOT REVIEW
3	IDOT REVIEW
4	IDOT FINAL REVIEW

MISSMAN
STANLEY & ASSOCIATES, P.C.

Civil Engineering/Environmental Services-GIS-Landscape Architecture-Surveying
1011 27th Avenue
Rock Island, Illinois 61201-6040
Phone (309) 788-7844 Fax (309) 788-7891

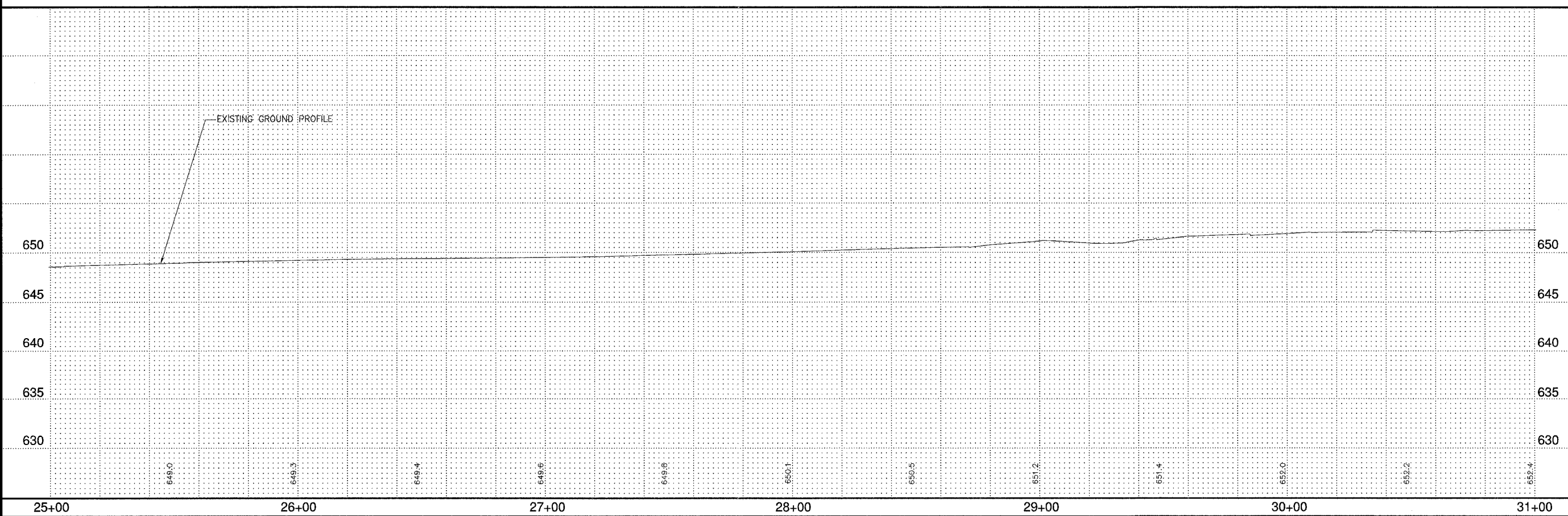
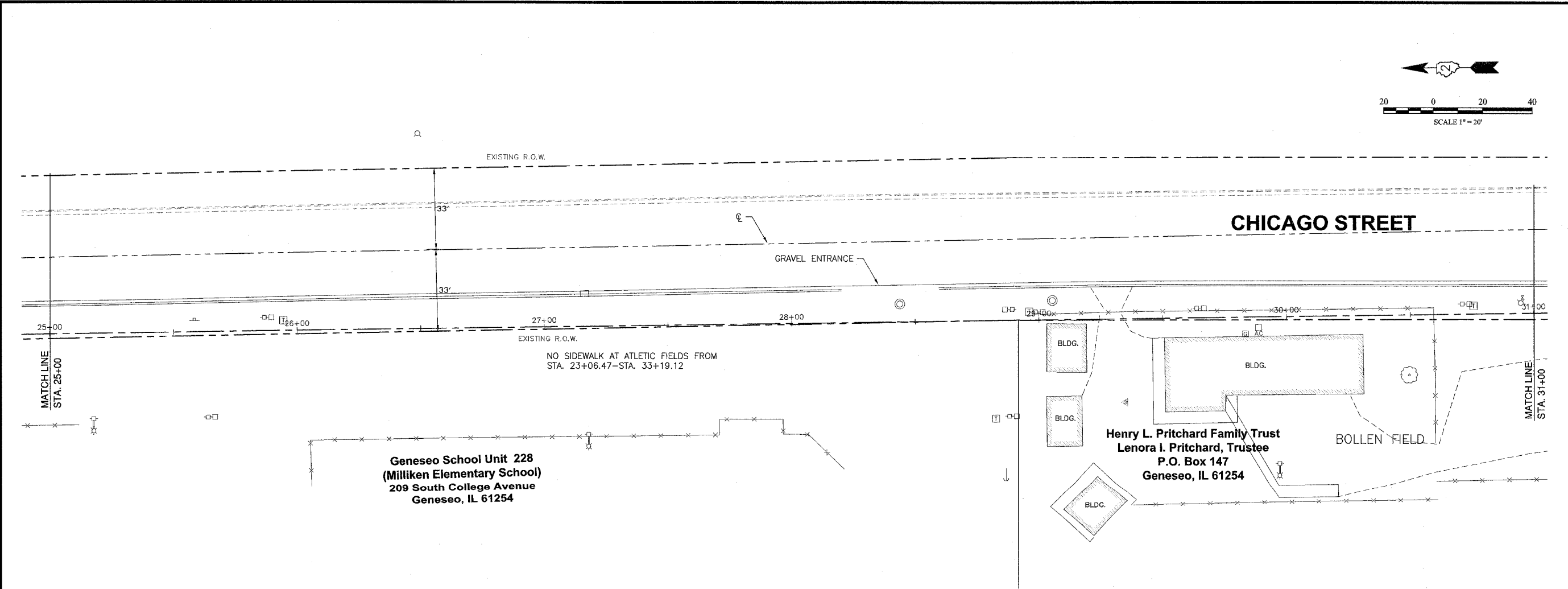


SOUTH CHICAGO ST. SIDEWALK
Geneseo, Illinois

PLAN AND PROFILES

Missman Project No: A07-L019
File Name: CS 101 SHEETS.dwg
© COPYRIGHT 2003 ALL RIGHTS RESERVED
Drawn By: SJD
Checked By: BJV
Date: JULY 2007

Sheet 7 of 17



NO.	REVISIONS DESCRIPTION	DATE
1	IDOT REVIEW	8-6-07
2	IDOT REVIEW	9-28-07
3	IDOT REVIEW	11-14-07

Missman
STANLEY & ASSOCIATES, P.C.

Civil Engineering, Environmental Services, GIS, Landscape Architecture, Surveying
1011 27th Avenue
Rock Island, Illinois 61201-8040
Phone: (309) 788-7644
Fax: (309) 788-7644

SOUTH CHICAGO ST. SIDEWALK
Geneseo, Illinois

PLAN AND PROFILES

Missman Project No:
A07-L019

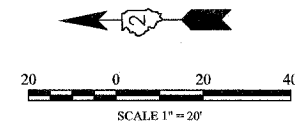
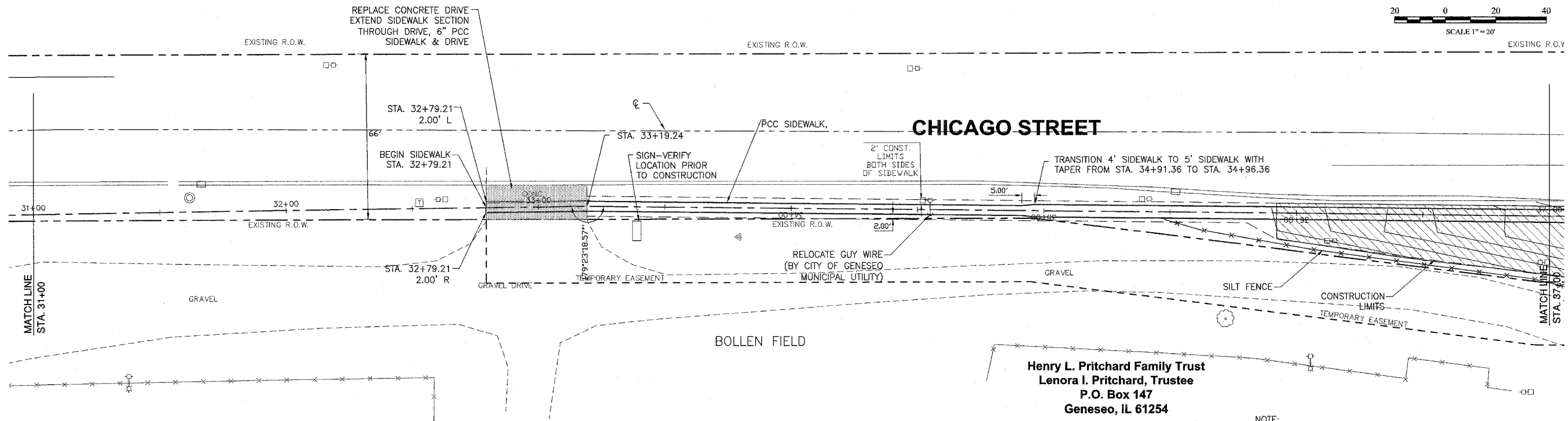
File Name:
CS 101 SHEETS.dwg

© COPYRIGHT 2003
ALL RIGHTS RESERVED

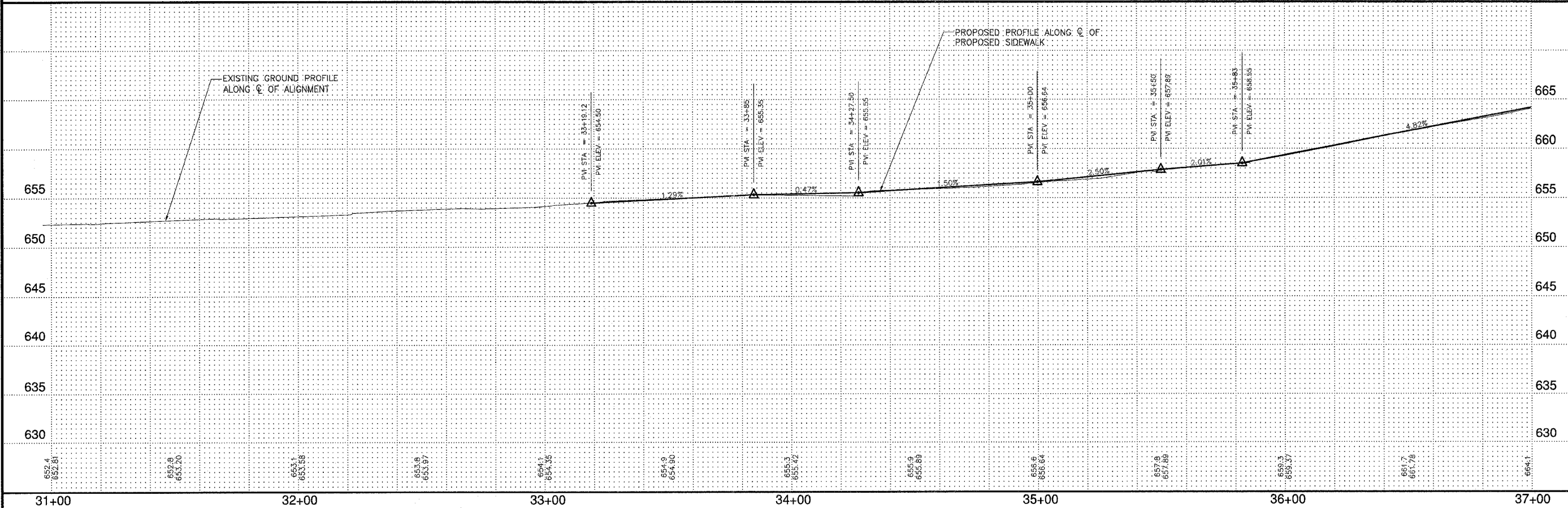
Drawn By: SJD

Checked By: BJV

Date: JULY 2007



NOTE:
 1% CROSS SLOPE
 DRAINS TO STREET
 STA. 1+21.44 - STA. 23+06.52,
 STA. 38+84.89 - STA. 39+21.91
 STA. 39+76.95 - STA. 40+22.42
 1% CROSS SLOPE
 DRAINS AWAY FROM STREET
 STA. 32+79.23 - STA. 37+94.56

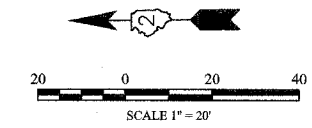
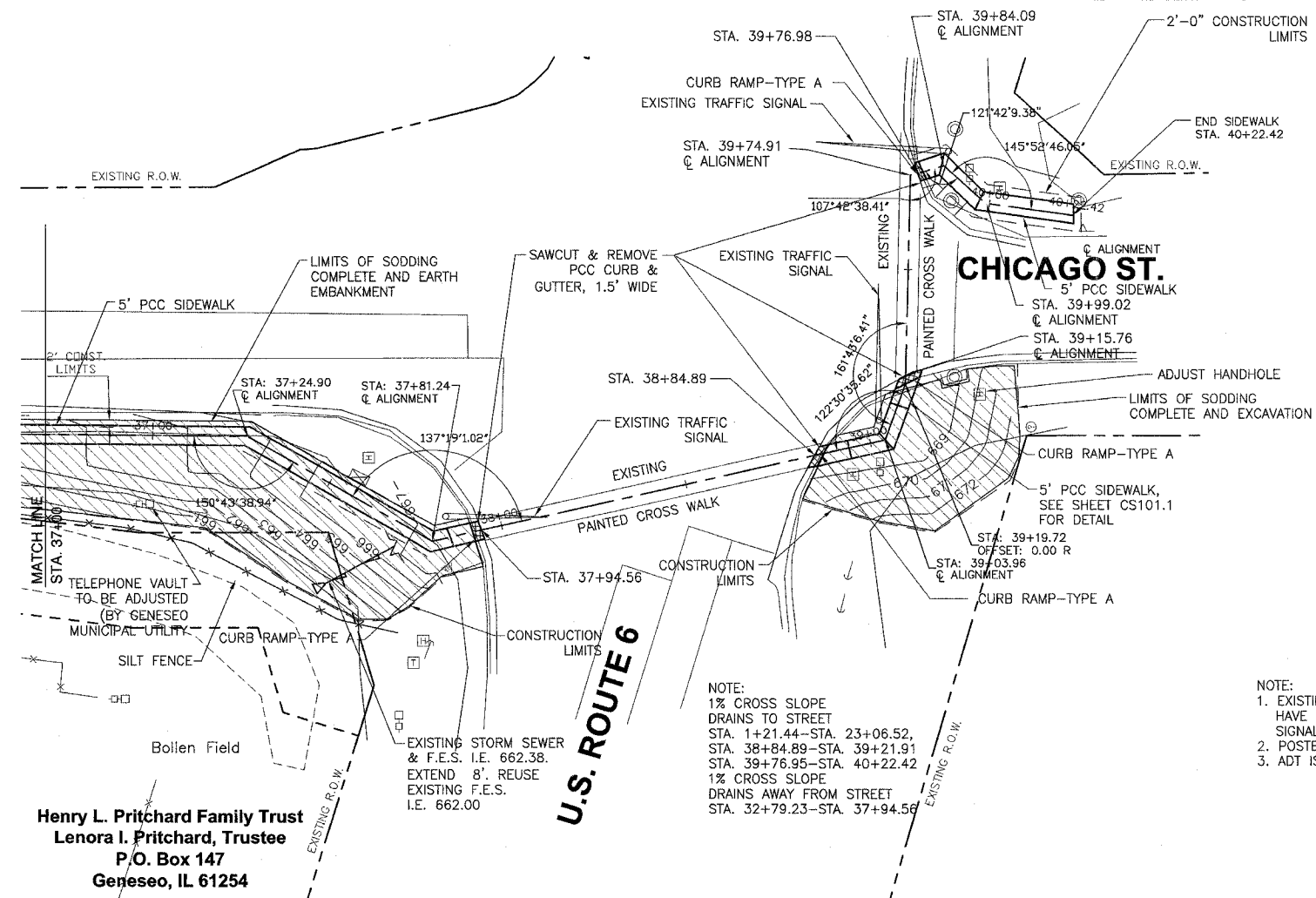


REVISIONS	
No.	DESCRIPTION
1	IDOT REVIEW
2	IDOT REVIEW
3	IDOT REVIEW
4	IDOT FINAL REVIEW

Missman
 STANLEY & ASSOCIATES, P.C.
 Civil Engineering - Environmental Services - GIS - Landscape Architecture - Surveying
 Rock Island, Illinois 61201-6040
 1011 27th Avenue
 Phone (309) 788-7644 Fax (309) 788-7691

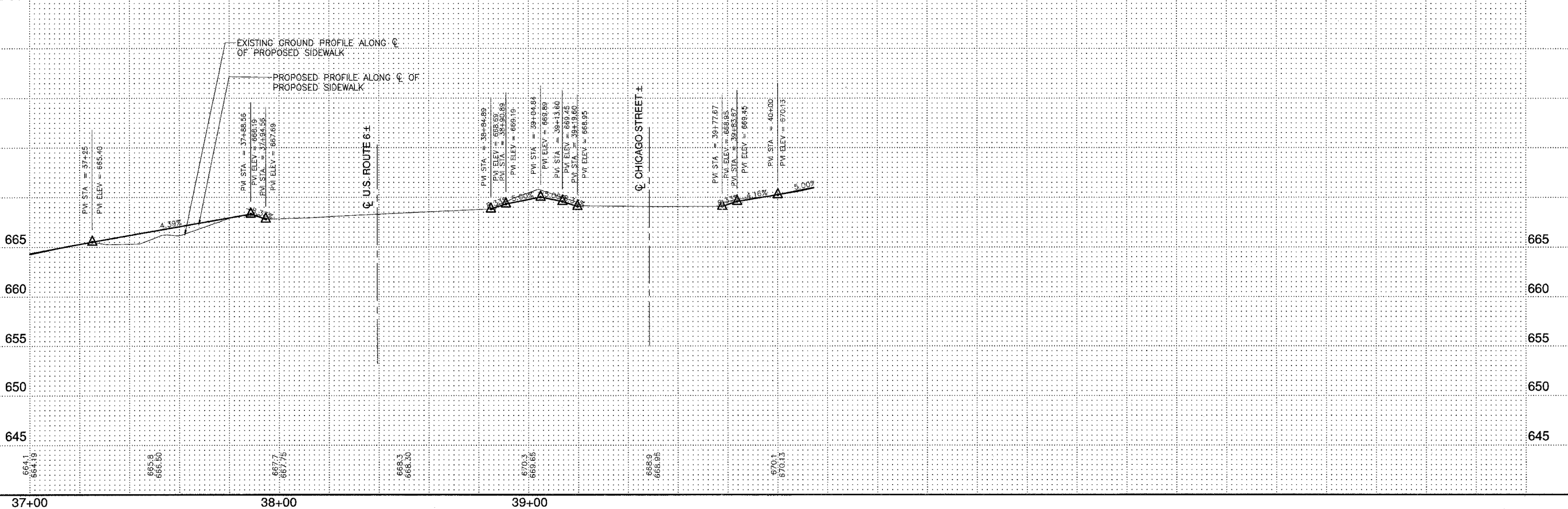
SOUTH CHICAGO ST. SIDEWALK
 Geneseo, Illinois
PLAN AND PROFILES

Missman Project No:
 A07-L019
 File Name:
 CS 101 SHEETS.dwg
 © COPYRIGHT 2003
 ALL RIGHTS RESERVED
 Drawn By: SJD
 Checked By: BJV
 Date: JULY 2007



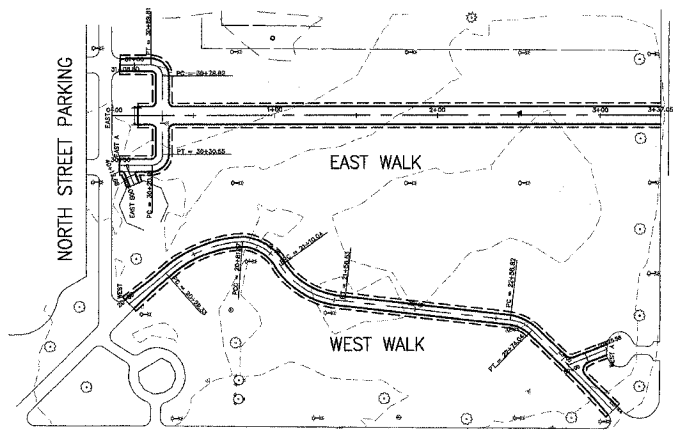
REVISIONS	
No.	DESCRIPTION
1	IDOT REVIEW
2	IDOT REVIEW
3	IDOT REVIEW
4	IDOT FINAL REVIEW

Missman
STANLEY & ASSOCIATES, P.C.
Civil Engineering-Environmental Services-GIS-Landscape Architecture-Surveying
1011 27th Avenue
Rock Island, Illinois 61201-6040
Phone (309) 788-7844
Fax (309) 788-7691



SOUTH CHICAGO ST. SIDEWALK
Geneseo, Illinois
PLAN AND PROFILES

Missman Project No:
A07-L019
File Name:
CS 101 SHEETS.dwg
© COPYRIGHT 2003
ALL RIGHTS RESERVED
Drawn By: SJD
Checked By: BJV
Date: JULY 2007



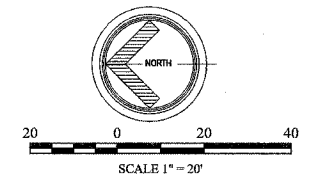
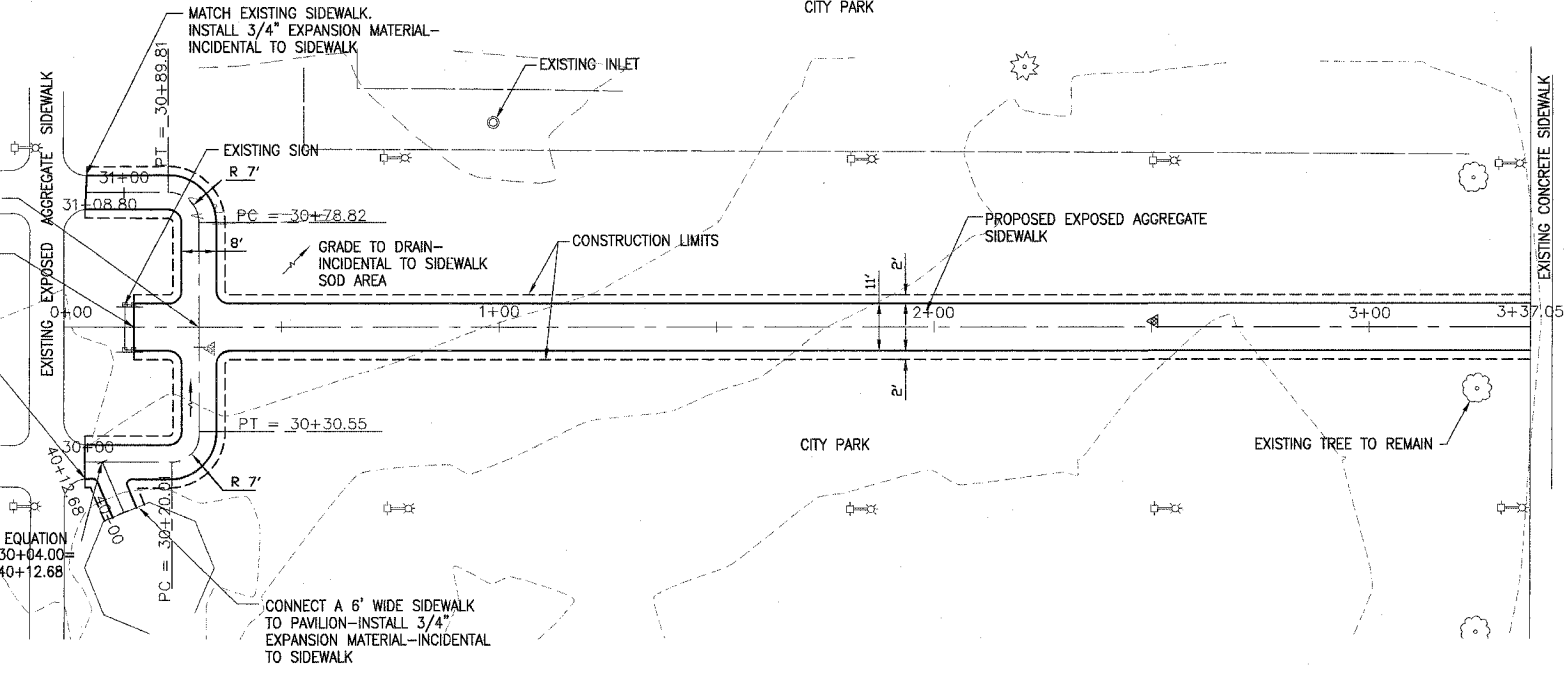
CENTER STREET
CITY PARK VIEW

MATCH EXISTING SIDEWALK.
INSTALL 3/4" EXPANSION MATERIAL-
INCIDENTAL TO SIDEWALK

STATION EQUATION
STA. 0+30.98=
STA. 30+54.68

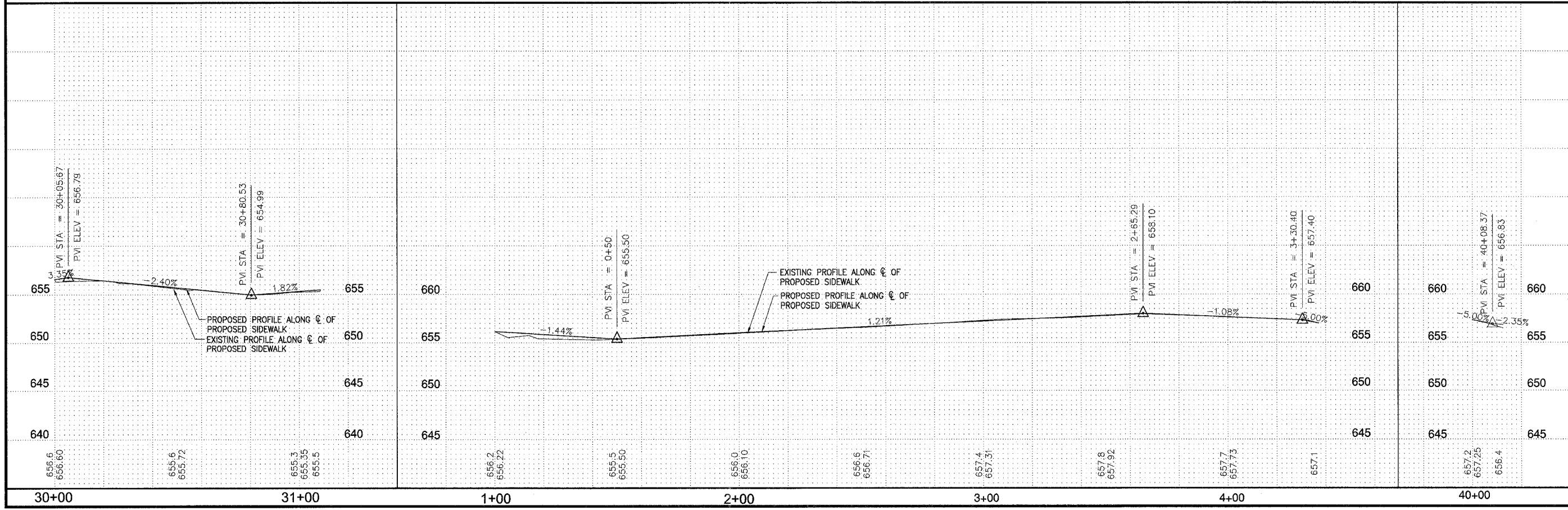
BEGIN SIDEWALK
STA. 0+15.97

STATION EQUATION
STA. 30+04.00=
STA. 40+12.68



REVISIONS	
No.	DESCRIPTION
1	I.D.O.T. REVIEW
2	IDOT REVIEW
3	IDOT FINAL REVIEW

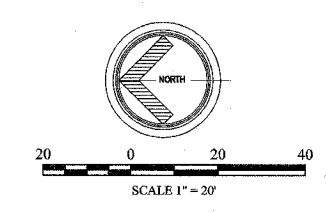
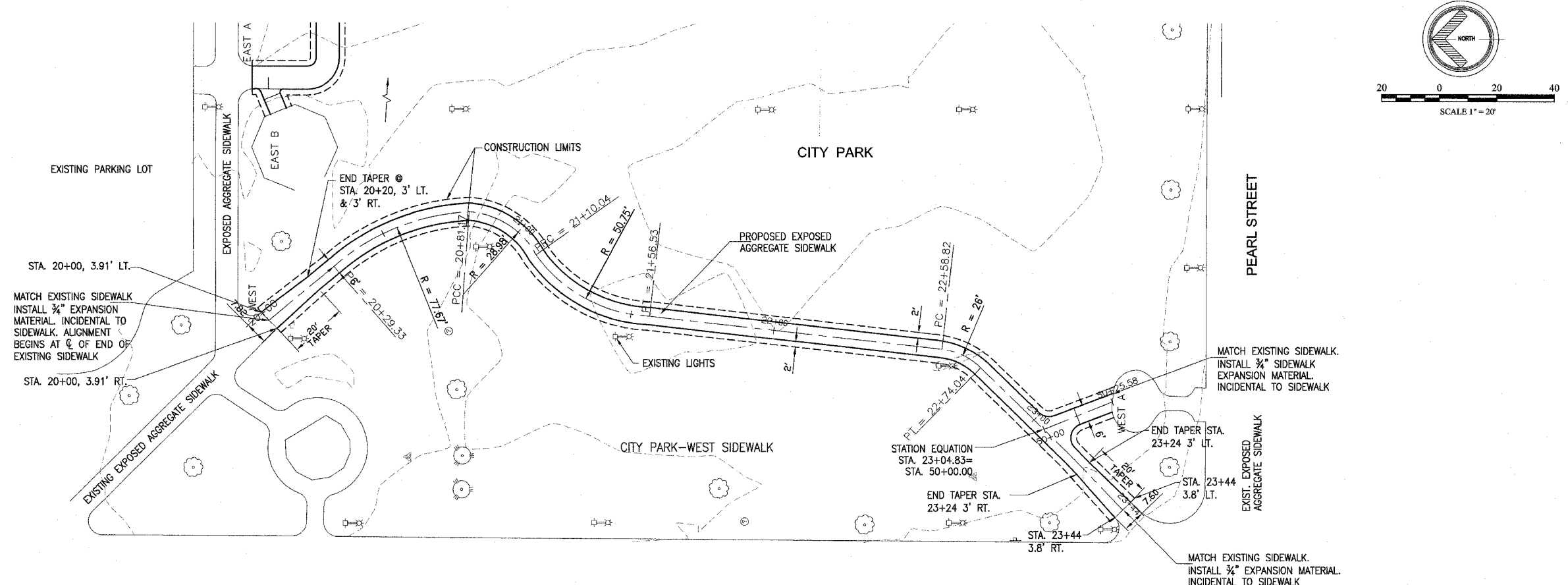
Missman
STANLEY & ASSOCIATES, P.C.
Civil Engineering - Environmental Services - GIS - Landscape Architecture - Surveying
1011 27th Avenue
Rock Island, Illinois 61201-5040
Phone: (815) 788-7644
Fax: (815) 788-7691



CITY PARK - EAST SIDEWALK
GENESECO, ILLINOIS
SIDEWALK PLAN AND PROFILES

Missman Project No: A07L024
File Name: CS101 SHEETS.dwg
© COPYRIGHT 2003 ALL RIGHTS RESERVED
Drawn By: SJD
Checked By: GAR
Date: AUG 2007

Sheet 11 of 17



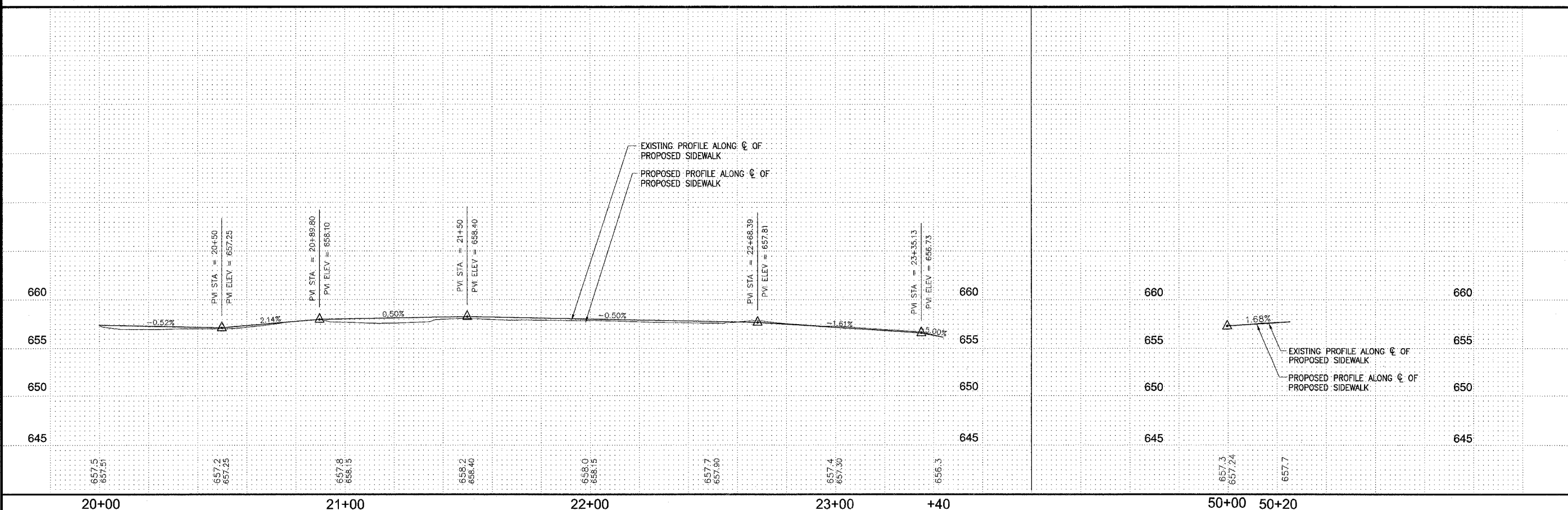
REVISIONS	
No.	DESCRIPTION
1	LDOT REVIEW
2	IDOT REVIEW
3	IDOT FINAL REVIEW

Missman
STANLEY & ASSOCIATES, P.C.

Civil Engineering - Environmental Services - GIS - Landscape Architecture - Surveying
Rock Island, Illinois 61201-6040
1011 27th Avenue
Phone (309) 788-7644 Fax (309) 788-7891

CITY PARK - WEST SIDEWALK
GENESEO, ILLINOIS
SIDEWALK PLAN AND PROFILES

Missman Project No: A07L024
File Name: CS101 SHEETS.dwg
© COPYRIGHT 2003 ALL RIGHTS RESERVED
Drawn By: SJD
Checked By: GAR
Date: AUG 2007



SOUTH CHICAGO STREET

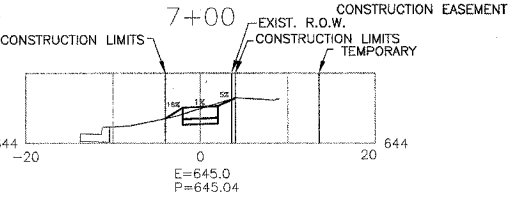
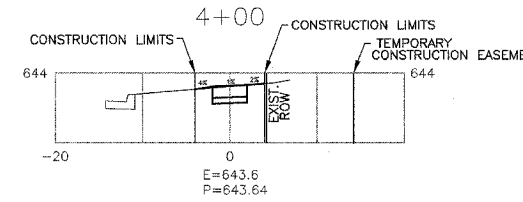
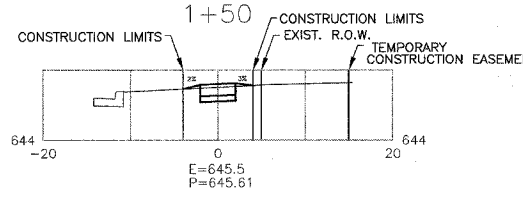
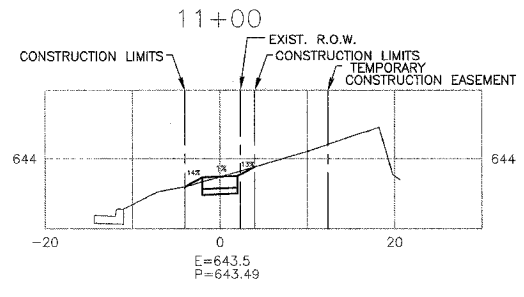
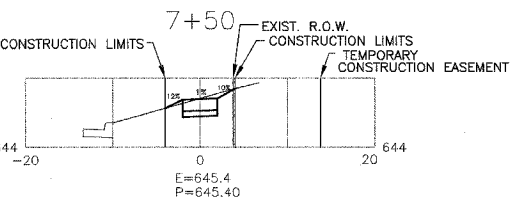
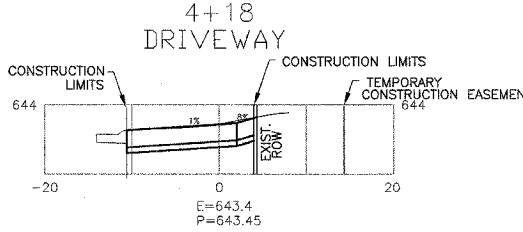
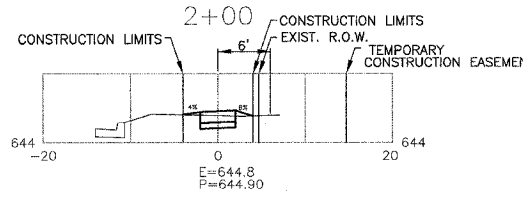
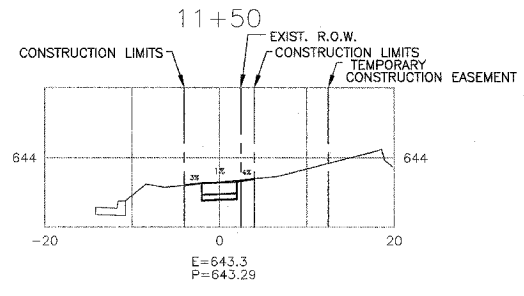
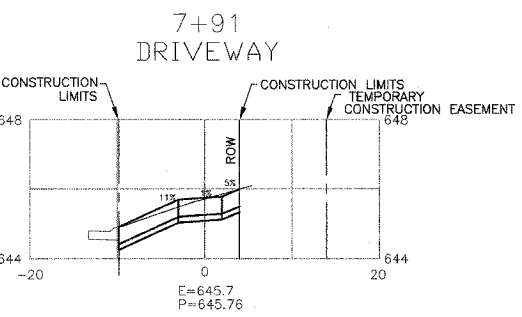
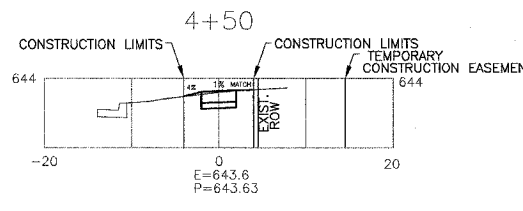
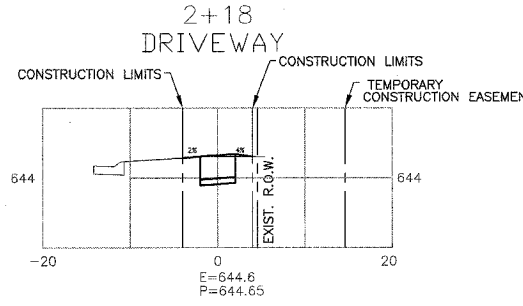
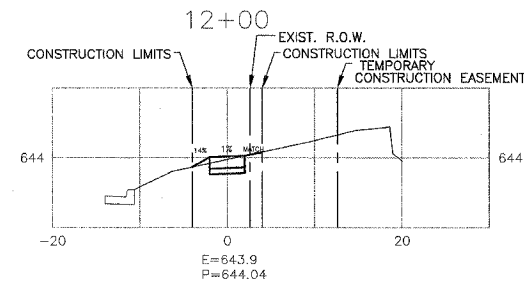
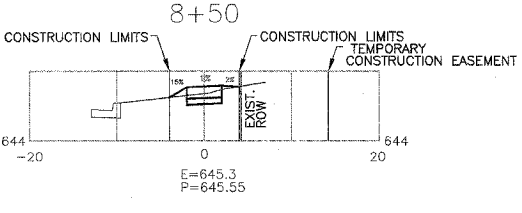
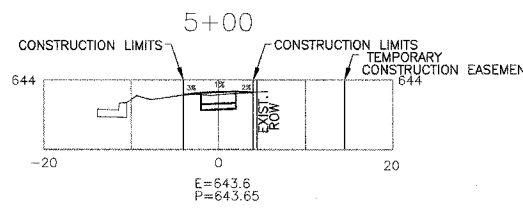
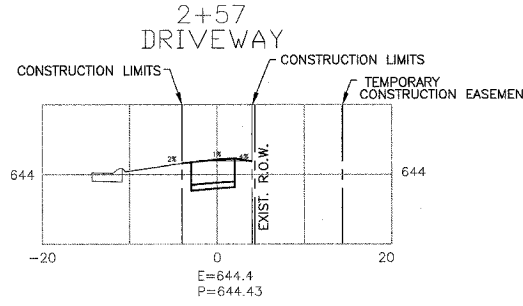
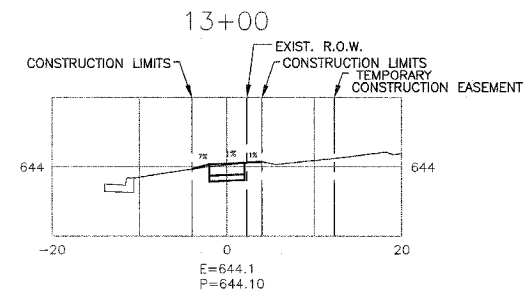
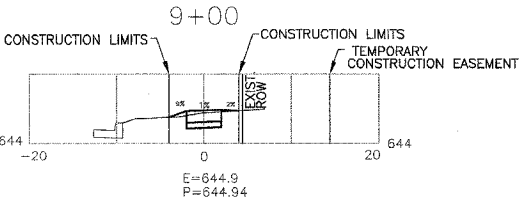
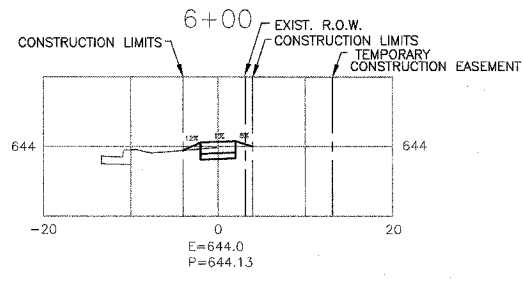
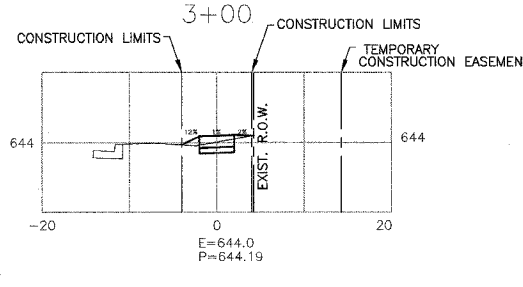
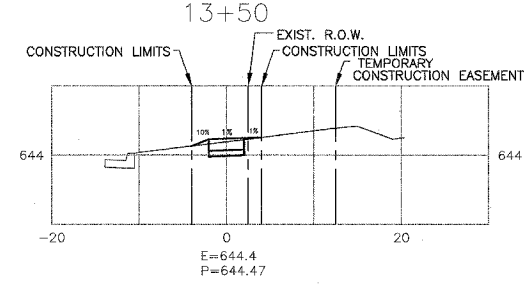
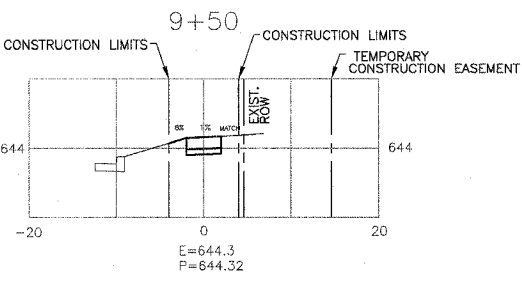
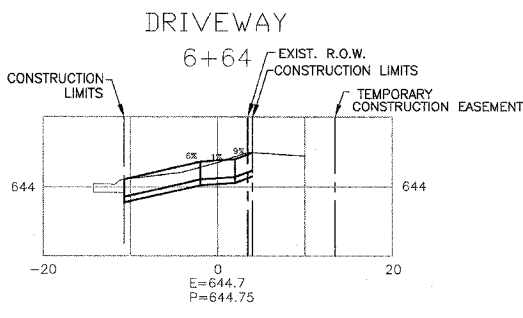
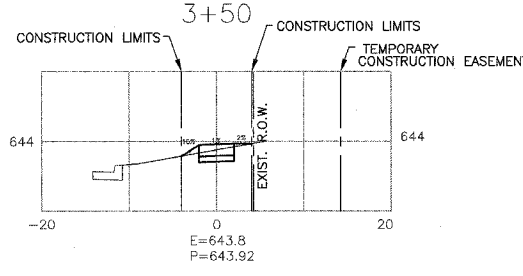
SCALE:
H: 1"=20'
V: 1"=5'

REVISIONS	DATE	DESCRIPTION
No.		
1	9-28-07	IDOT REVIEW
2	11-14-07	IDOT REVIEW
3	12-17-07	IDOT FINAL REVIEW

Missman
STANLEY & ASSOCIATES, P.C.
Civil Engineering-Environmental Services-GIS-Landscape Architecture-Surveying
Rock Island, Illinois 61201-8040
1011 27th Avenue
Phone (309) 788-7644
Fax (309) 788-7681

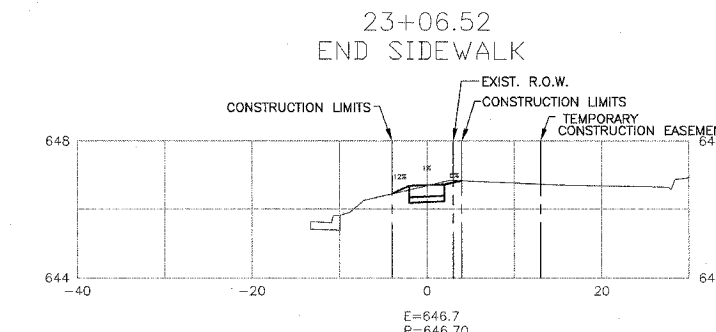
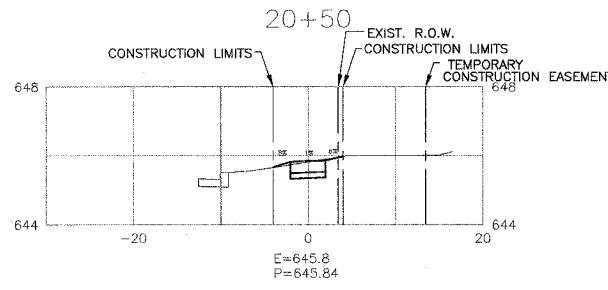
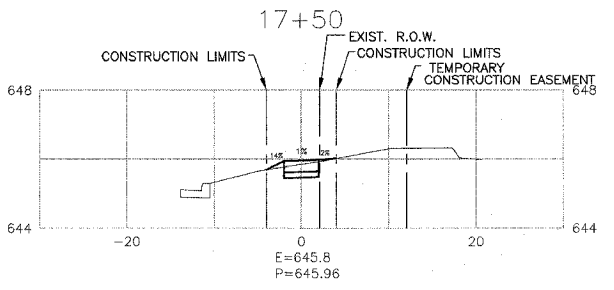
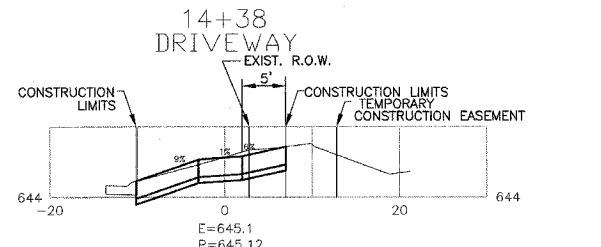
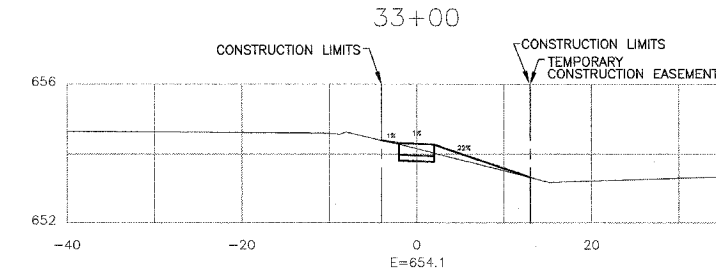
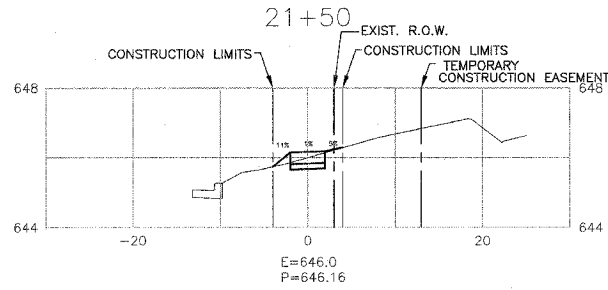
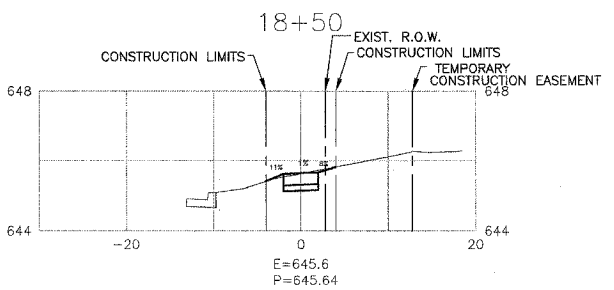
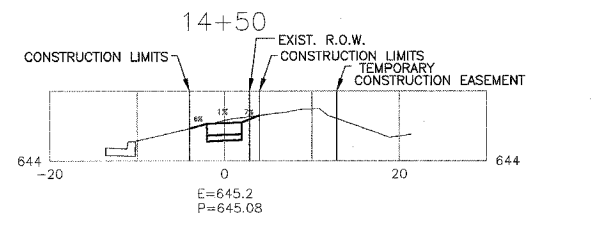
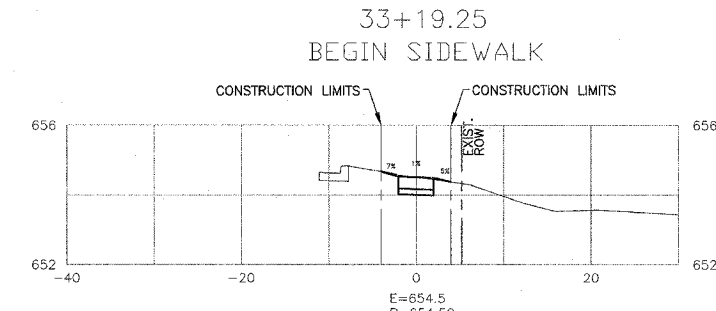
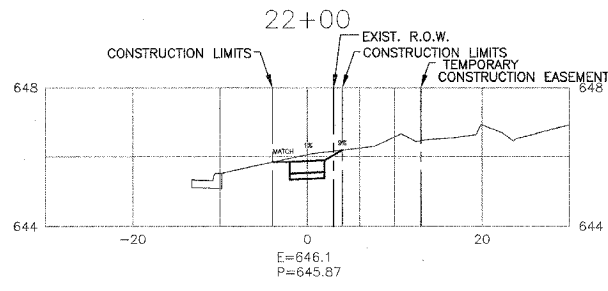
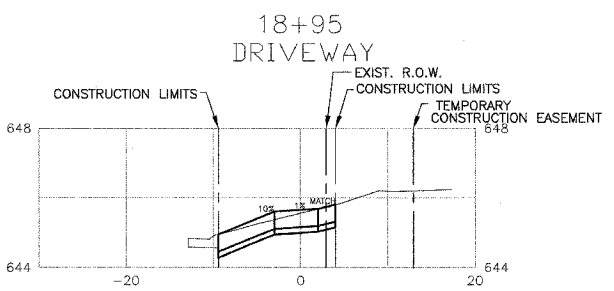
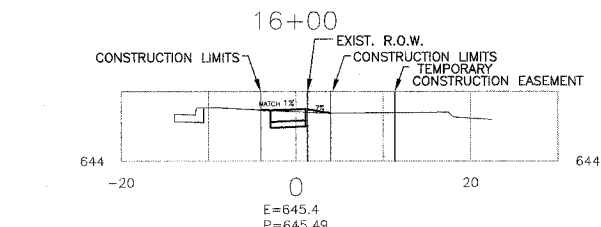
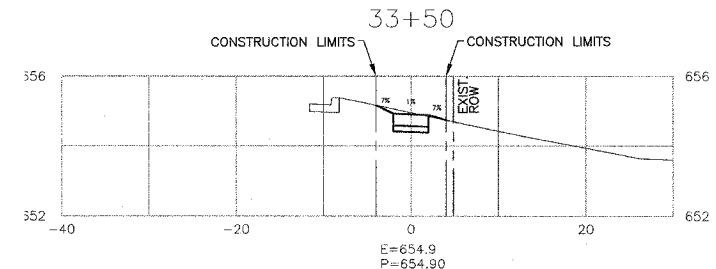
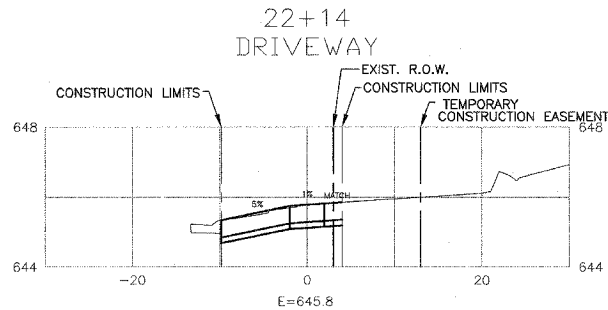
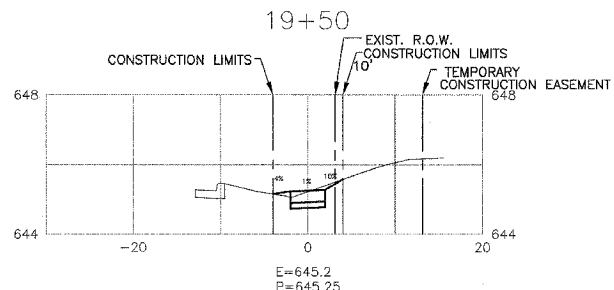
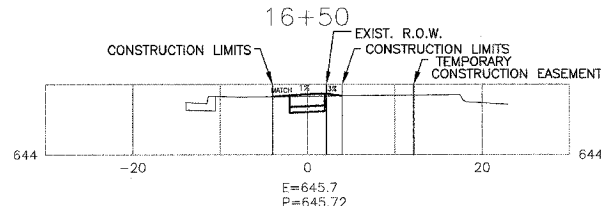
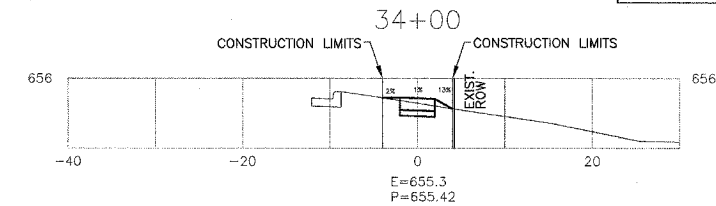
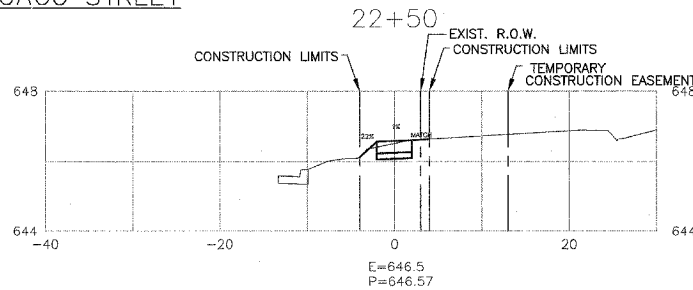
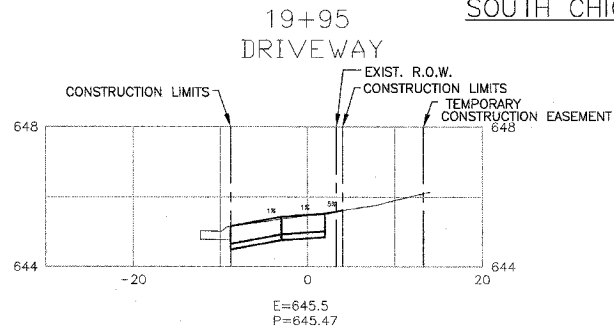
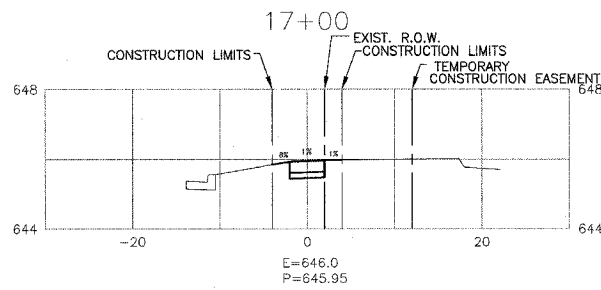
SOUTH CHICAGO ST. SIDEWALK
Geneseo, Illinois
CROSS SECTIONS

Missman Project No:
A07-L019
File Name:
CX 100 SHEET.dwg
© COPYRIGHT 2007
ALL RIGHTS RESERVED
Drawn By: SJD
Checked By: BJV
Date: July 2007



SOUTH CHICAGO STREET

SCALE:
H: 1"=20'
V: 1"=5'



REVISIONS	
No.	DESCRIPTION
1	1. DOT REVIEW
2	2. DOT REVIEW
3	3. DOT FINAL REVIEW

Missman
STANLEY & ASSOCIATES, P.C.
Civil Engineering-Environmental Services-GIS-Landscape Architecture-Surveying
Rock Island, Illinois 61201-6040
1011 27th Avenue
Phone (309) 788-7644
Fax (309) 788-7691

SOUTH CHICAGO ST. SIDEWALK
Geneseo, Illinois
CROSS SECTIONS

Missman Project No:
A07-L019
File Name:
CX 100 SHEET.dwg
© COPYRIGHT 2007
ALL RIGHTS RESERVED
Drawn By: SJD
Checked By: BJV
Date: July 2007

SOUTH CHICAGO STREET

SCALE:
H: 1"=20'
V: 1"=5'

REVISIONS	
No.	DESCRIPTION
1	IDOT REVIEW
2	IDOT REVIEW
3	IDOT FINAL REVIEW

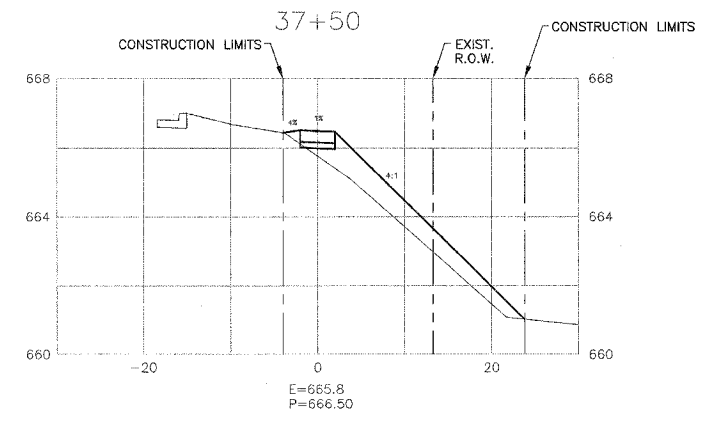
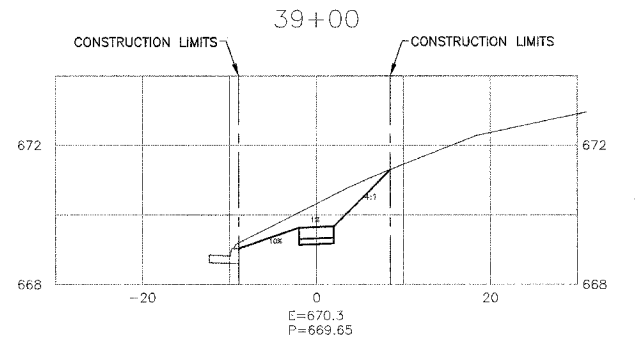
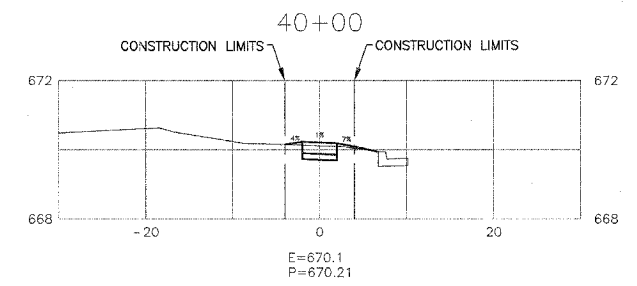
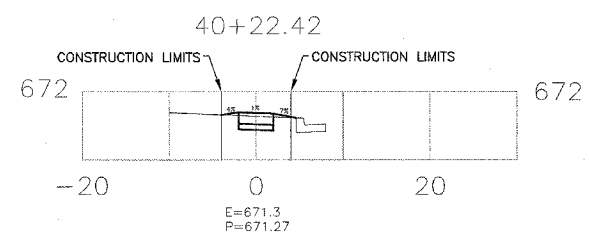
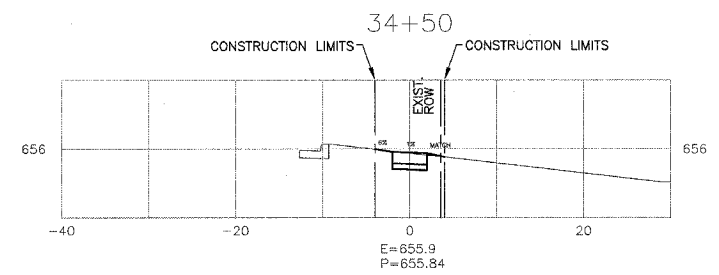
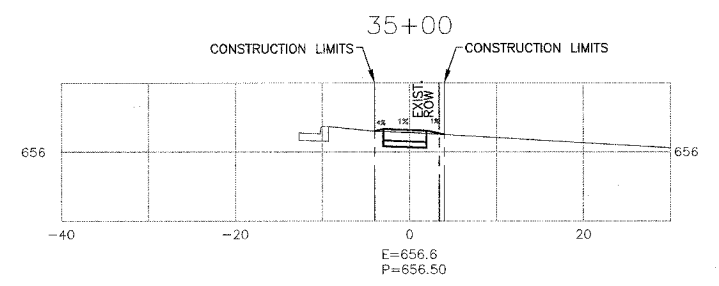
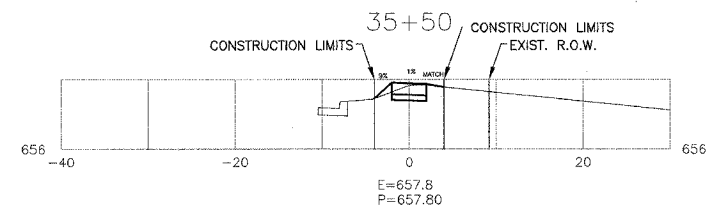
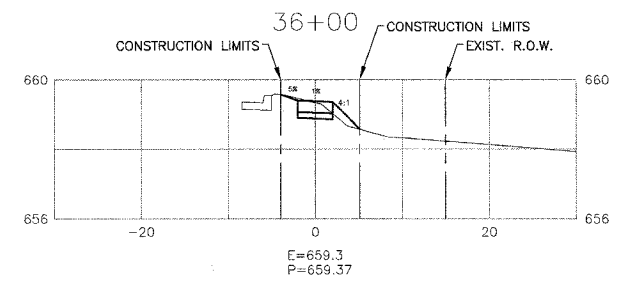
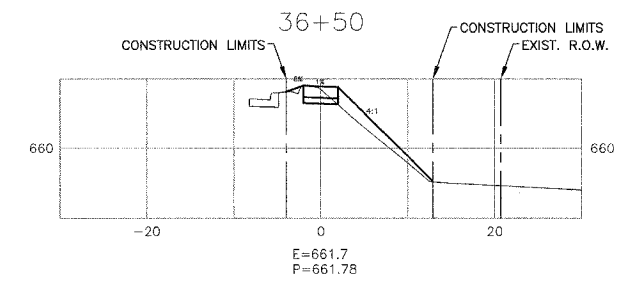
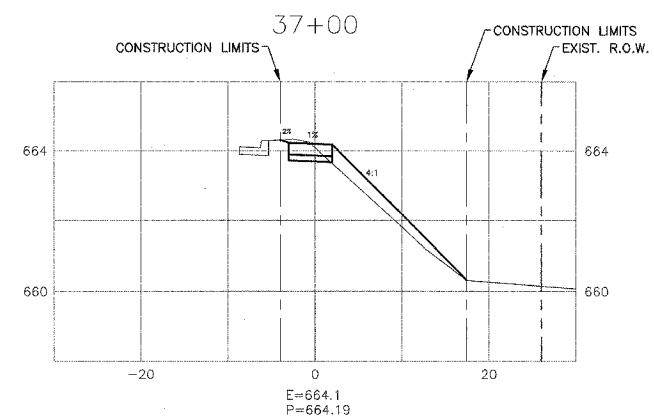
MISSMAN
STANLEY & ASSOCIATES, P.C.

Civil Engineering - Environmental Services - GIS - Landscape Architecture - Surveying
1011 27th Avenue
Rock Island, Illinois 61201-6040
Phone (309) 788-7644 Fax (309) 788-7691

SOUTH CHICAGO ST. SIDEWALK
Geneseo, Illinois

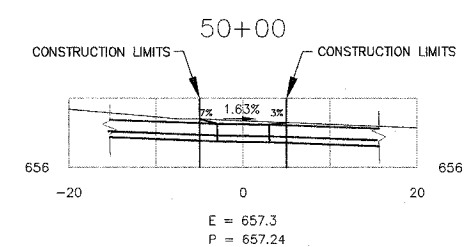
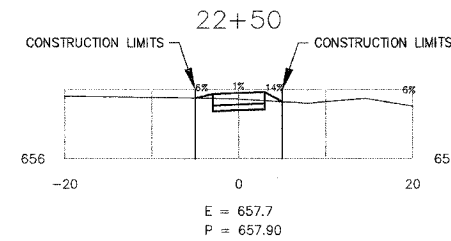
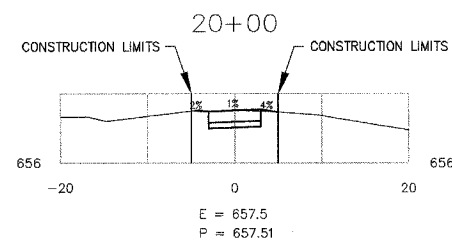
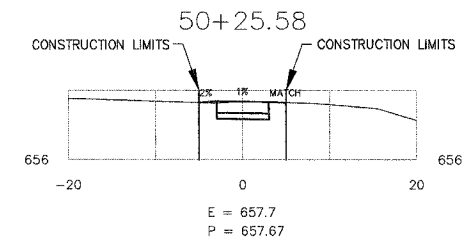
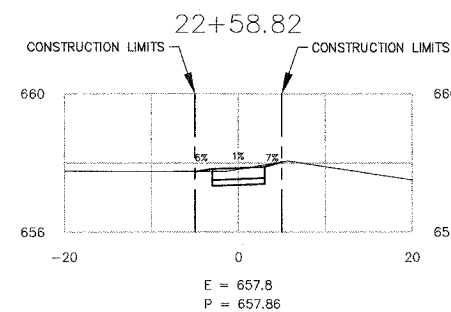
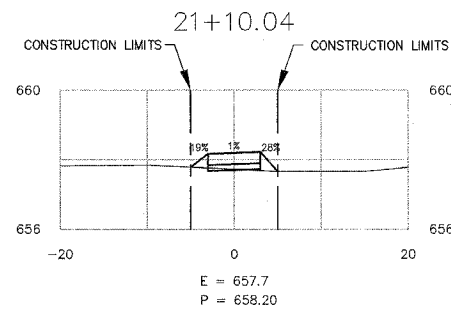
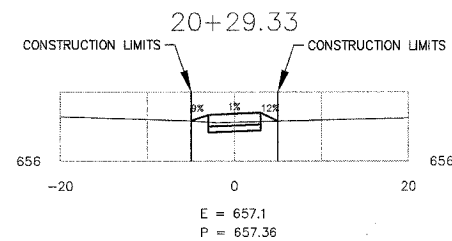
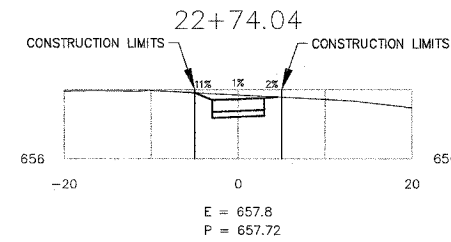
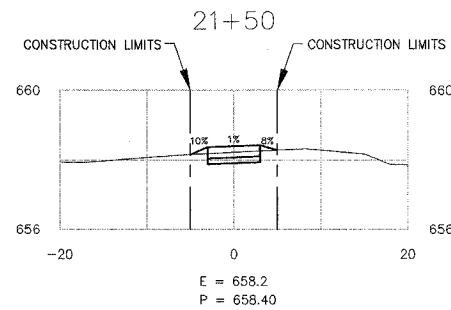
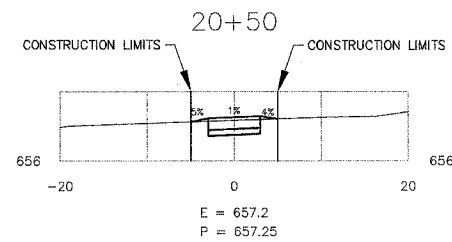
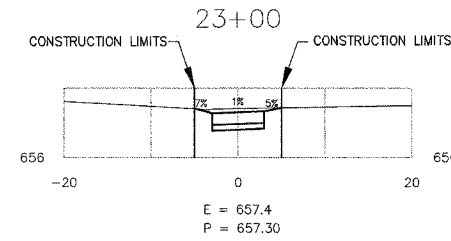
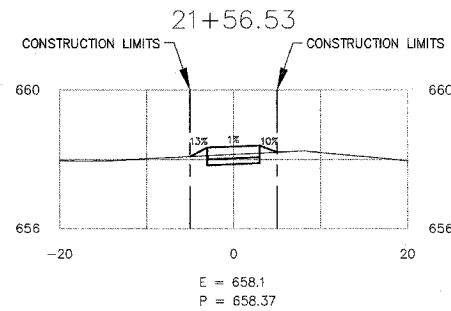
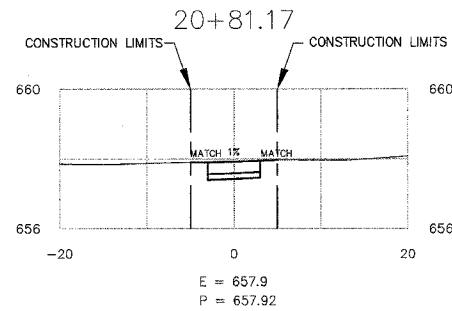
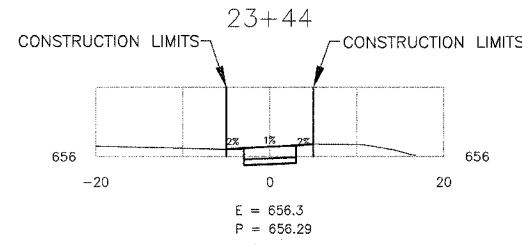
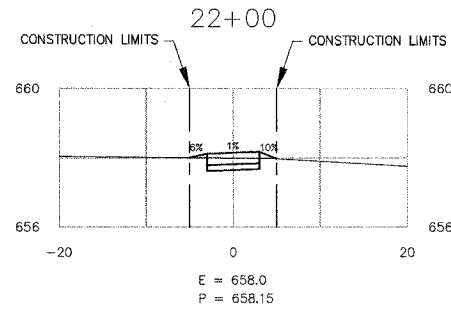
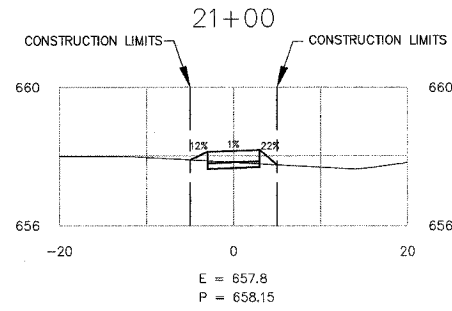
CROSS SECTIONS

Missman Project No:
A07-L019
File Name:
CX 100 SHEET.dwg
© COPYRIGHT 2007
ALL RIGHTS RESERVED
Drawn By: SJD
Checked By: BJV
Date: July 2007



CITY PARK—WEST SIDEWALK

SCALE:
H: 1"=20'
V: 1"=5'



REVISIONS	
No.	DESCRIPTION
1	1.D.O.T. REVIEW
2	11-14-07
3	12-17-07
	1.D.O.T. REVIEW
	1.D.O.T. REVIEW
	1.D.O.T. REVIEW

Missman
STANLEY & ASSOCIATES, P.C.

Civil Engineering • Environmental Services • GIS • Landscape Architecture • Surveying
1011 27th Avenue
Rock Island, Illinois 61201-6040
Phone (309) 788-7644 Fax (309) 788-7681

CITY PARK SIDEWALK-WEST
GENESEO, ILLINOIS
CROSS SECTIONS

Missman Project No:
A07-L024
File Name:
Sum_Sched.dwg
© COPYRIGHT 2007
ALL RIGHTS RESERVED
Drawn By: SJD
Checked By: GAR
Date: AUG 2007

CITY PARK—EAST SIDEWALK

SCALE:
H: 1"=20'
V: 1"=5'

REVISIONS	
No.	DESCRIPTION
1	IDOT REVIEW
2	IDOT REVIEW
3	IDOT FINAL REVIEW

Missman
STANLEY & ASSOCIATES, P.C.

Civil Engineering - Environmental Services - GIS - Landscape Architecture - Surveying
1011 27th Avenue
Rock Island, Illinois 61201-6040
Phone (309) 788-7844 Fax (309) 788-7891

CITY PARK SIDEWALK-EAST
GENESEO, ILLINOIS
CROSS SECTIONS

Missman Project No:
A07-L024
File Name:
Sum_Sched.dwg
© COPYRIGHT 2007
ALL RIGHTS RESERVED
Drawn By: SJD
Checked By: GAR
Date: AUG 2007

