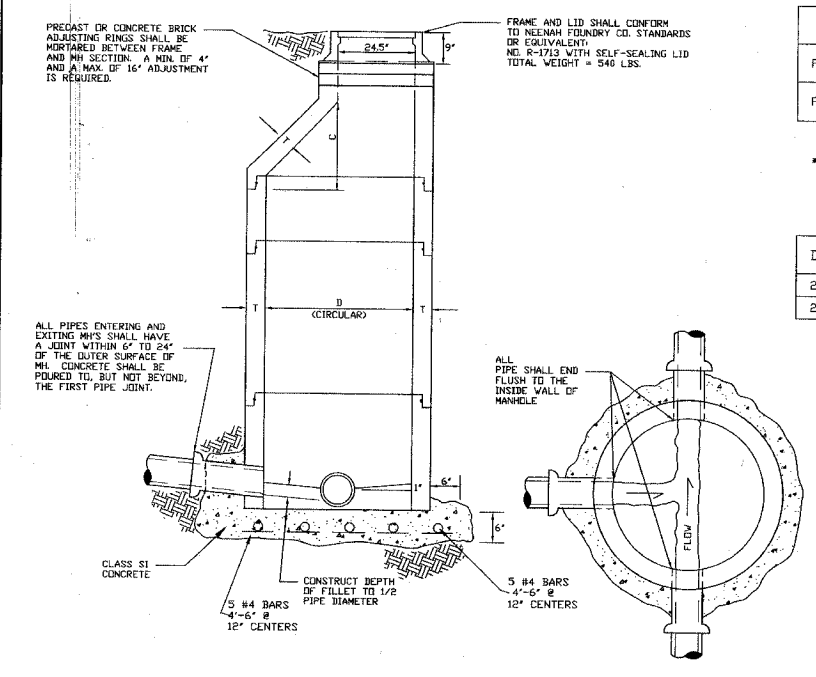


REVISED	GB	10/21/96
STANDARDIZED	CVE	06/28/91
REVISION	BY	DATE

TYPICAL PAVEMENT MARKINGS
CITY OF ROCK ISLAND ENGINEERING DIVISION STANDARD NO. 117



ALTERNATE MATERIAL FOR WALLS	D	C	T
PRECAST SECTIONS	4'-0"	3'-2"	5'
POURED WALLS *	4'-0"	3'-2"	6'
	5'-0"	3'-2"	6'

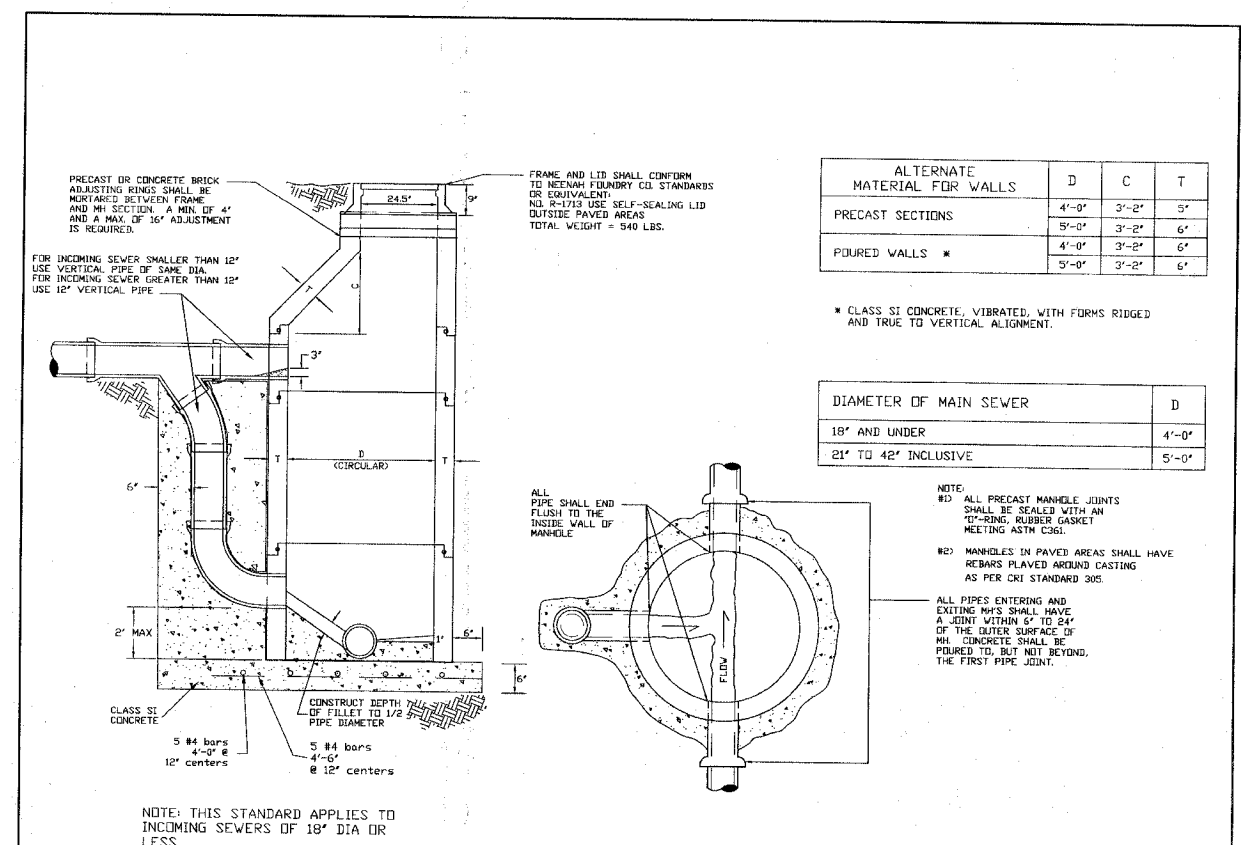
* CLASS SI CONCRETE, VIBRATED, WITH FORMS RIDGED AND TRUE TO VERTICAL ALIGNMENT.

DIAMETER OF MAIN SEWER	D
18" AND UNDER	4'-0"
24" TO 36" INCLUSIVE	5'-0"

- NOTES:
- NO PIPE SHALL ENTER MANHOLE HIGHER THAN 2" FROM FILLET, UNLESS AN OUTSIDE DROP MH. IS CONSTRUCTED.
 - ALL PRECAST MANHOLE JOINTS SHALL BE SEALED WITH AN O-RING RUBBER GASKET, MEETING ASTM C361.
 - PIPE CONNECTIONS ON MH. WORK ARE INCIDENTAL, IF WITHIN 2' OF STRUCTURE.
 - PRECAST MH. SECTIONS WITH A-LOCKS & PRECAST FILLETS SHALL NOT BE ALLOWED.
 - STEPS SHALL NOT BE INSTALLED IN MANHOLE.
 - USE TYPE B LID IN PAVED AREAS IN LIEU OF SELF SEALING LID.
 - MATCH O.B. POINTS ON PIPE ENTERING MANHOLE.

STANDARD MANHOLE
CITY OF ROCK ISLAND ENGINEERING DIVISION STANDARD NO. 201

REMOVE STEPS	W.L.C.	07/31/01
O-RING JOINT / 3'-2"	D.G.C.	02/25/93
STANDARDING	CVE	06/28/91
REVISION	BY	DATE



ALTERNATE MATERIAL FOR WALLS	D	C	T
PRECAST SECTIONS	4'-0"	3'-2"	5'
POURED WALLS *	4'-0"	3'-2"	6'
	5'-0"	3'-2"	6'

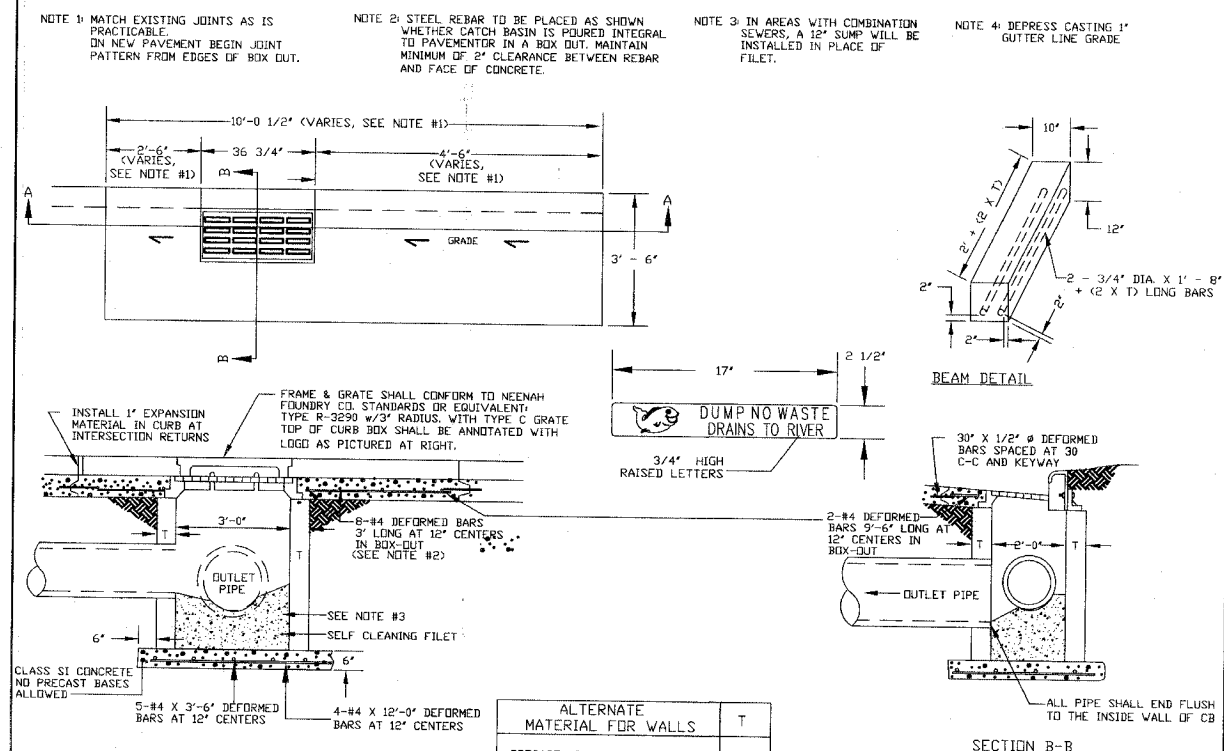
* CLASS SI CONCRETE, VIBRATED, WITH FORMS RIDGED AND TRUE TO VERTICAL ALIGNMENT.

DIAMETER OF MAIN SEWER	D
18" AND UNDER	4'-0"
24" TO 42" INCLUSIVE	5'-0"

- NOTE:
- #1 ALL PRECAST MANHOLE JOINTS SHALL BE SEALED WITH AN O-RING RUBBER GASKET MEETING ASTM C361.
- #2 MANHOLES IN PAVED AREAS SHALL HAVE REBARS PLACED AROUND CASTING AS PER CRI STANDARD 305.
- ALL PIPES ENTERING AND EXISTING PIPES SHALL HAVE A JOINT WITHIN 6" TO 24" OF THE OUTER SURFACE OF MH. CONCRETE SHALL BE POURED TO, BUT NOT BEYOND, THE FIRST PIPE JOINT.

VERTICAL PIPE DIA	W.L.C.	07/20/03
CONC. ENCASMENT	W.L.C.	05/22/02
REVISION	TAB	11/08/99
O-RING JOINTS / 3'-2"	D.G.C.	02/25/93
STANDARDING	CVE	07/13/91
REVISION	BY	DATE

STANDARD DROP MANHOLE
CITY OF ROCK ISLAND ENGINEERING DIVISION STANDARD NO. 202



ALTERNATE MATERIAL FOR WALLS	T
PRECAST SECTIONS	5'
POURED WALLS *	6'

* CLASS SI CONCRETE, VIBRATED, WITH FORMS RIDGED AND TRUE TO VERTICAL ALIGNMENT.

REVISED	W.L.C.	02/20/06
REVISED	M.H.	05/03/01
REVISED	TAB	11/08/99
STANDARDING	PMCJ	6/1/95
REVISION	BY	DATE

SINGLE CATCH BASIN
CITY OF ROCK ISLAND ENGINEERING DIVISION STANDARD NO. 204

85434
06-00180-00-RS
C.R.I. STANDARD DETAILS
CITY OF ROCK ISLAND ENGINEERING DIVISION

24th Street Resurfacing
18th to 25th Avenue

Job Number	2569	Date	3-07-08
Computer Drawing Name	2569 Standard Details	By	mdw
Sheet	34	Of	38