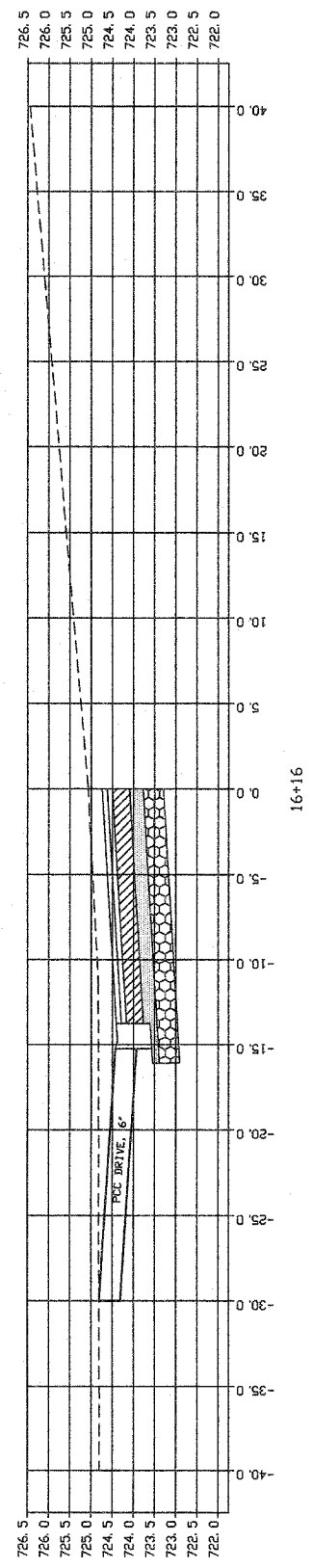
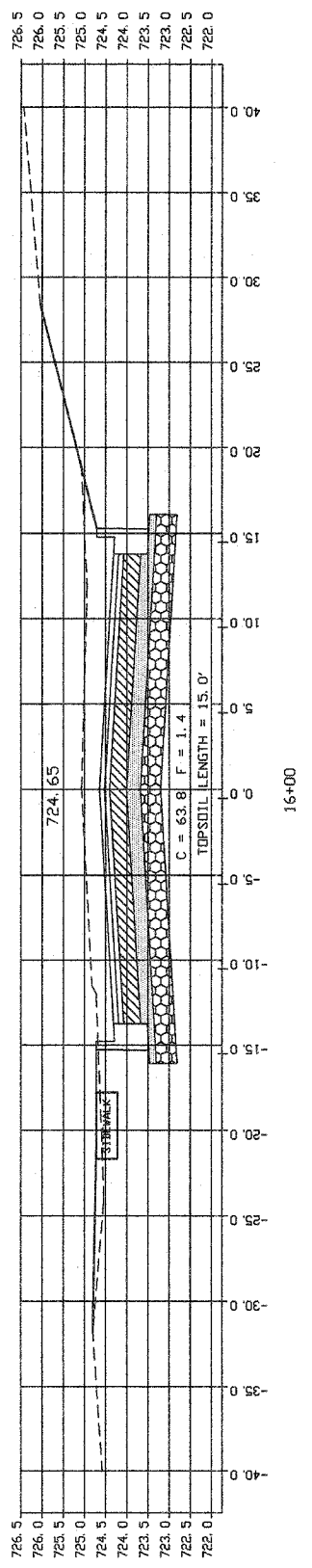


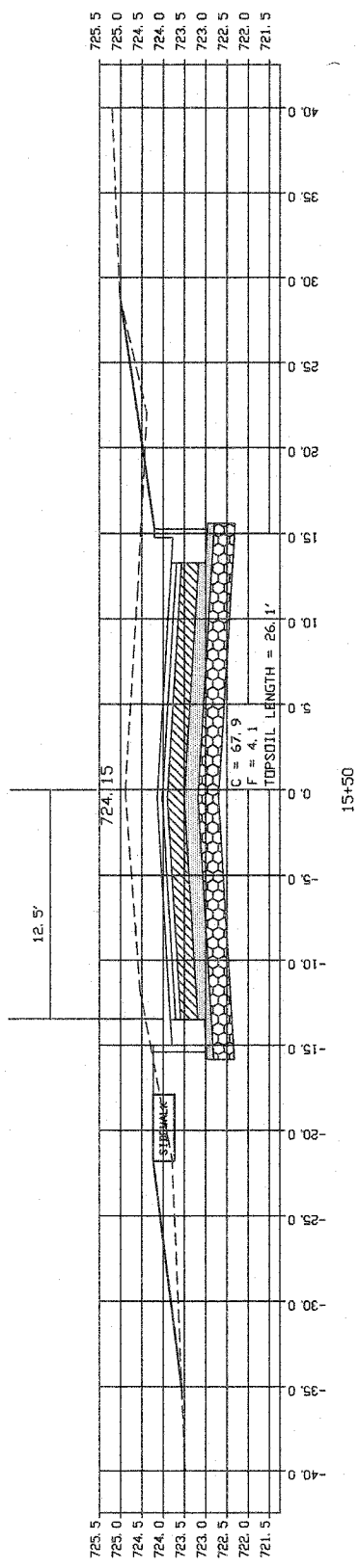
F. A. ROUTE	SECTION	COUNTY	TOTAL SHEETS	SHEET NO.
6011	07-00057-00-PP	LA SALLE	33	27
CITY OF MENDOTA				
CONTRACT NO. 87253				



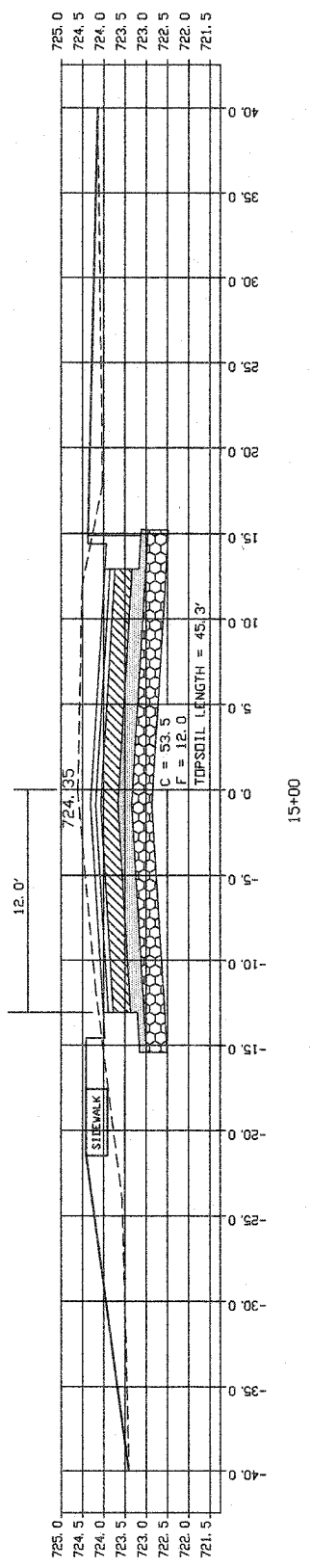
16+16



16+00



15+50



15+00