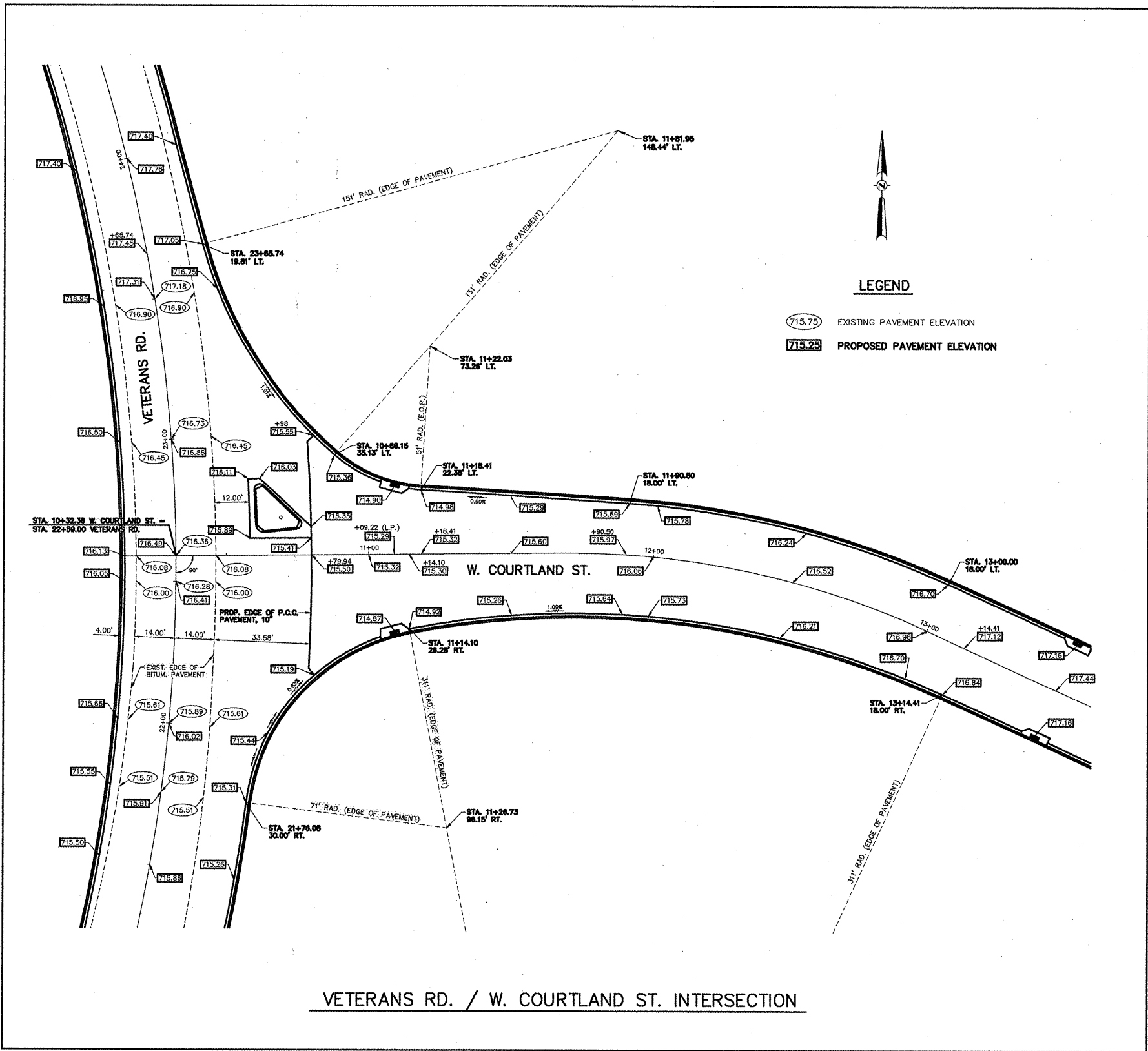
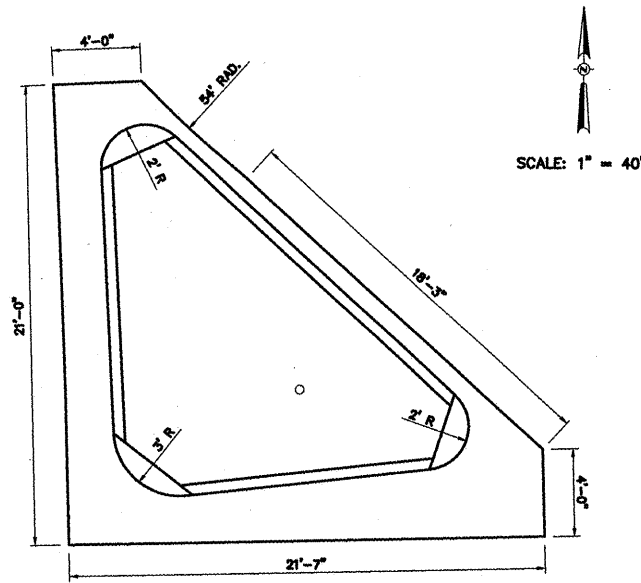


ROUTE NO.	SECTION	COUNTY	TOTAL SHEETS	SHEET
F.A.U. 6755	*	TAZEWELL	39	21
FED. ROAD DIST. NO. 7				
*04-00114-00-PV				
CONTRACT NO. 89351				



VETERANS RD. / W. COURTLAND ST. INTERSECTION



INTERSECTION ISLAND DETAIL  
VETERANS RD. / W. COURTLAND AVE.  
(ENGINEER TO DETERMINE STOP SIGN LOCATION)

INTERSECTION DETAILS W. COURTLAND ST.		AUSTIN ENGINEERING CO., INC. CIVIL ENGINEERS		
FOR: VILLAGE OF MORTON		PROBIA	LICENSE No. 184-001143	ILLINOIS
DATE 3/21/08	SCALE 1" = 20'	BOOK	PROJECT NUMBER	SHEET NO. 21 OF 39