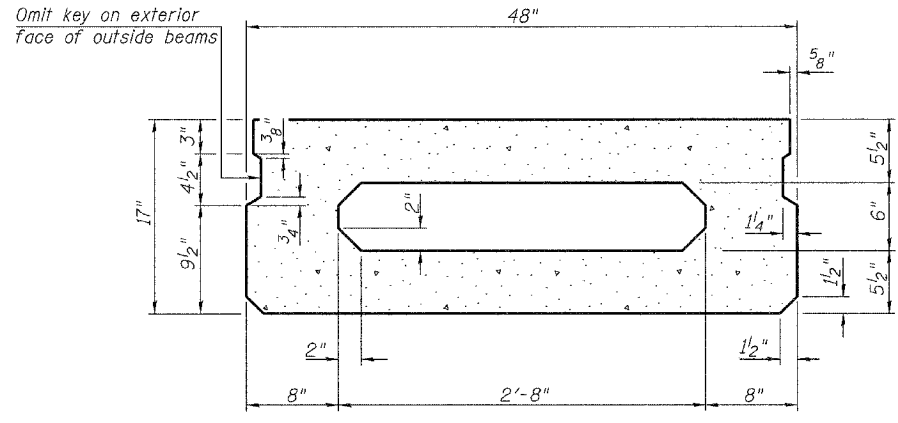
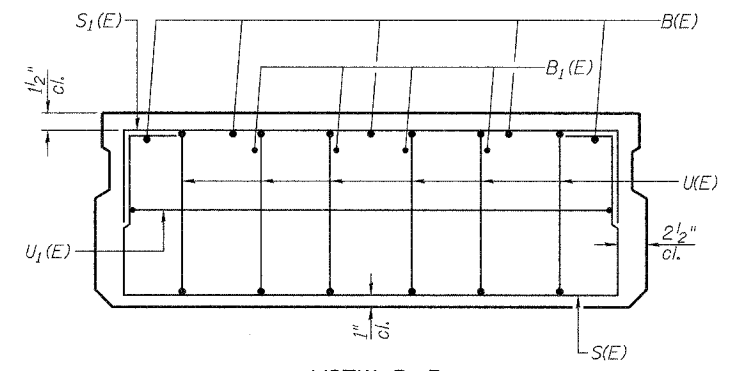


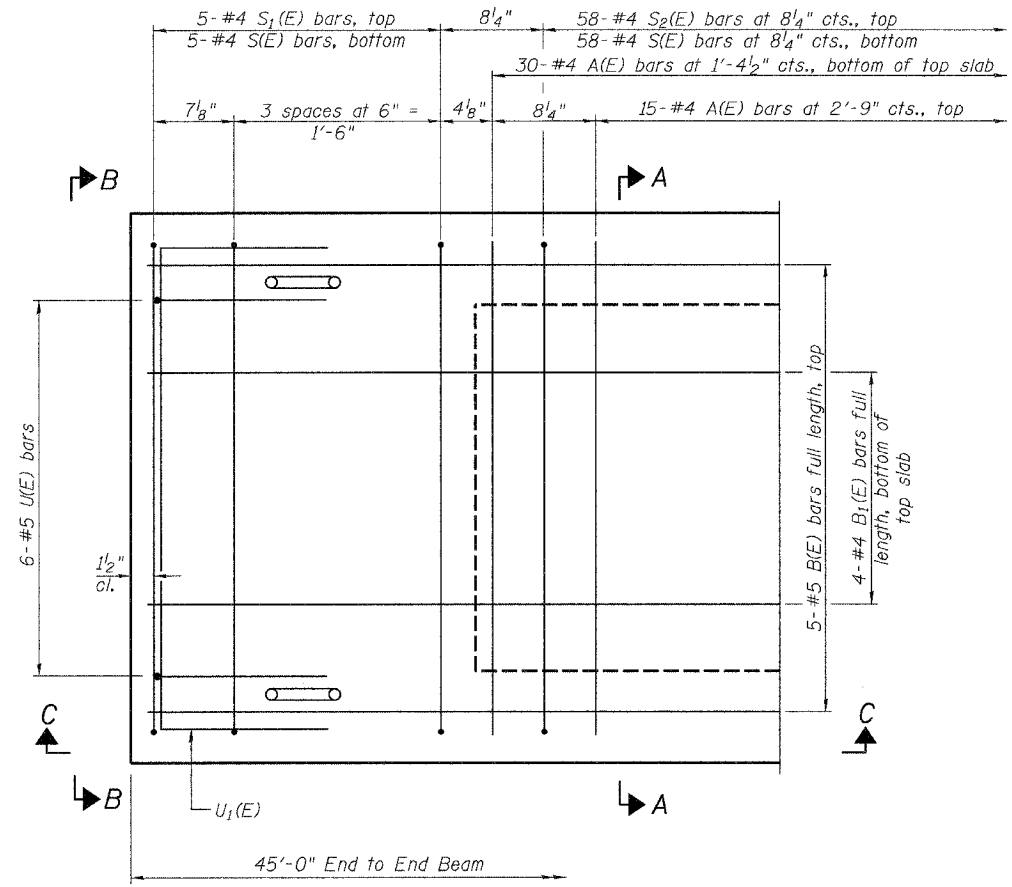
SECTION C-C



SECTION A-A
(Showing dimensions)

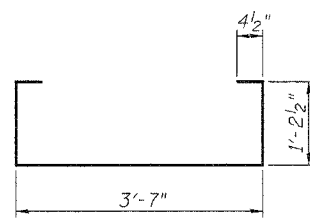


VIEW B-B

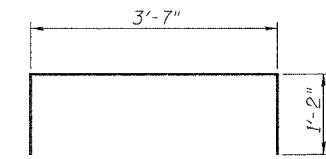


PLAN VIEW

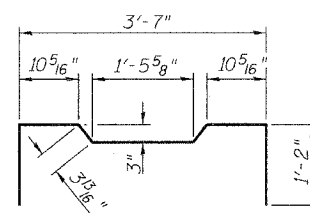
Note: Spacing of S(E) and S2(E) bars may be adjusted up to 4" in the immediate area of the transverse tie diaphragms to miss the block outs for the transverse ties.



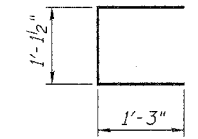
BAR S(E)



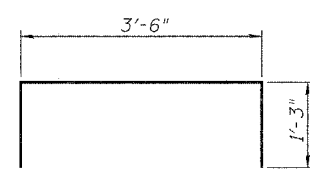
BAR S1(E)



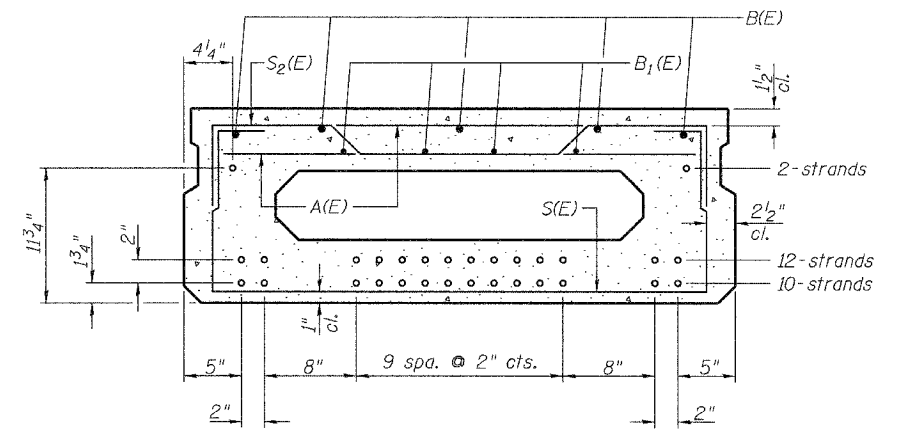
BAR S2(E)



BAR U(E)



BAR U1(E)



SECTION A-A
24-1/2" ϕ Strands Each Strand Stressed to 30,900 Lbs.
10-Strands 1 3/4" up, 12-Strands 3 3/4" up, 2-Strands 11 3/4" up

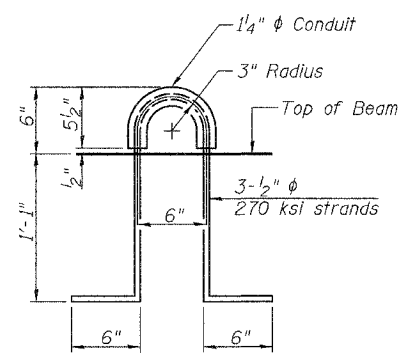
Note: Place the number of strands specified in each row symmetrically about the centerline of beam in the permissible strand locations shown.

BAR LIST ONE BEAM ONLY
(For information only)

Bar	No.	Size	Length	Shape
A(E)	45	#4	3'-7"	—
B(E)	5	#5	*44'-9"	—
B1(E)	4	#4	*44'-9"	—
S(E)	68	#4	6'-9"	U
S1(E)	10	#4	5'-11"	U
S2(E)	58	#4	6'-2"	U
U(E)	12	#5	3'-8"	U
U1(E)	2	#4	6'-0"	U

* Total Length, Lap as necessary

Note: See sheet 4 of 10 for additional details and Bill of Material.



LIFTING LOOP DETAIL

SUPERSTRUCTURE DETAILS - SPAN 2
COUNTY HIGHWAY 2 OVER
LITTLE MISSOURI CREEK
SEC. 05-00064-00-BR
BROWN COUNTY
STATION 20+11.00