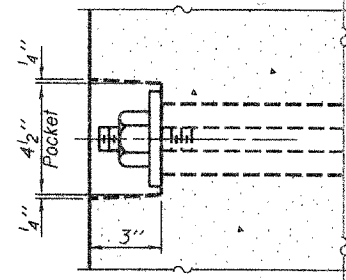


**FABRIC BEARING PAD**  
(Interior)

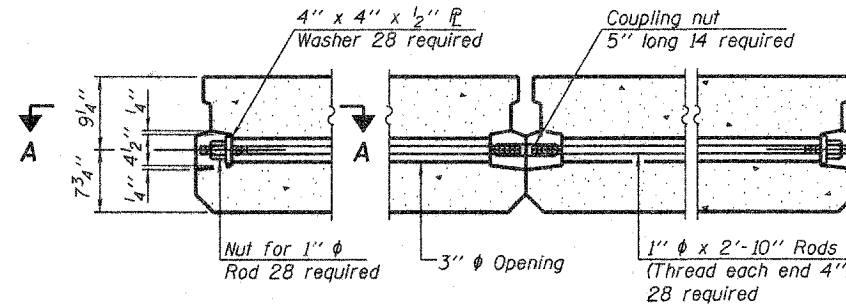
**FABRIC BEARING PAD**  
(Exterior)

**FIXED**

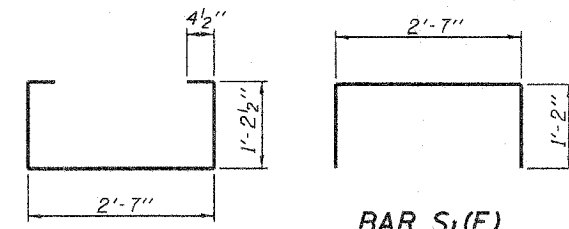
Note: Omit holes when using expansion bearings.



**SECTION A-A**

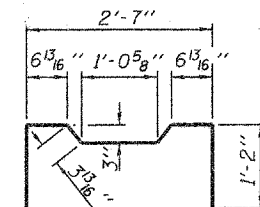


**TYPICAL TRANSVERSE TIE ASSEMBLY**



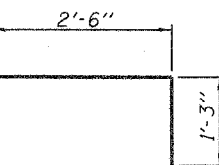
**BAR S(E)**

**BAR S<sub>1</sub>(E)**

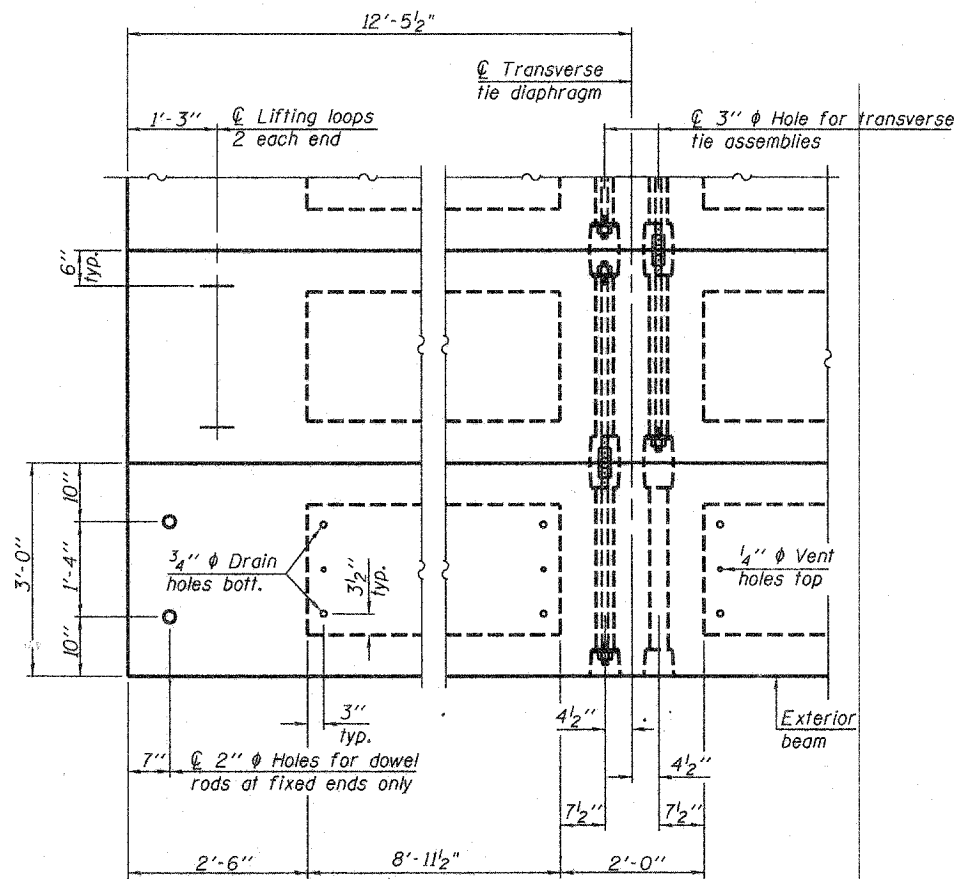


**BAR S<sub>2</sub>(E)**

**BAR UE**

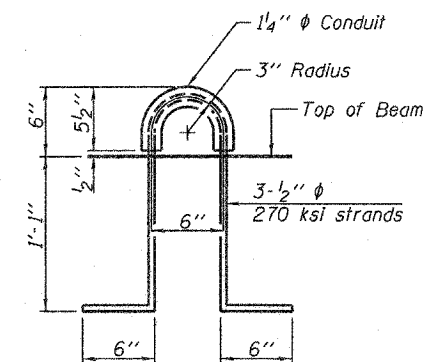


**BAR U<sub>1</sub>(E)**



**PLAN VIEW**

Note: Connect beams in pairs with the transverse tie configuration shown.



**LIFTING LOOP DETAIL**

**BILL OF MATERIAL**

Precast Prestressed Conc. Deck Bms. (17" depth)	Sq. Ft.	1,196
---	---------	-------

**PPC DECK BEAM DETAILS (17" X 3'-0")**

**SPAN 1 AND 3**  
**TR ROUTE 234A**  
**OVER JORDAN CREEK**  
**SECTION 04-20118-00-BR**  
**SHELBY COUNTY**  
**STA. 54+35**

**NOTES**

- Prestressing steel shall be uncoated high strength, low relaxation 7-wire strand, Grade 270. The nominal diameter shall be 1/2" and the nominal cross-sectional area shall be 0.153 sq. in. The 1" rods in the transverse tie assembly shall be tightened to a snug fit and the threads set. Pockets on exterior faces of bridge shall be filled with grout after transverse tie assembly is in place.
- Reinforcement bars shall conform to ASTM A 706 (IL MOD), Grade 60. (See Special Provisions)
- Two 1/8" fabric adjusting shims of the dimensions of the exterior bearing pad shall be provided for each bearing pad location.
- A minimum 2 1/2" diameter lifting pin shall be used to engage the lifting loops during handling.
- Corrosion Inhibitor, per Article 1020.05(b)(12) and 1021.06 of the Standard Specifications, shall be used in the concrete for precast prestressed concrete deck beams.
- Compressive strength of prestressed concrete, f'c, shall be 6000 psi.
- Compressive strength of prestressed concrete at release, f'ci, shall be 5000 psi.

DESIGNED	SDS
CHECKED	CWC
DRAWN	DLH
CHECKED	SDS

**WHKS & CO.**  
ENGINEERS PLANNERS LAND SURVEYORS  
MASON CITY, IOWA    DUBUQUE, IOWA    AMES, IOWA  
E. DUBUQUE, ILLINOIS    SPRINGFIELD, ILLINOIS    ROCHESTER, MINNESOTA

Operator: dthebearing Date: 5/23/2008 File name: L:\Jobs\DOT BBS\6956 BBS Various\Various\05\CADD\_Sinus\Shelby 04-20118-00-BR.dwg