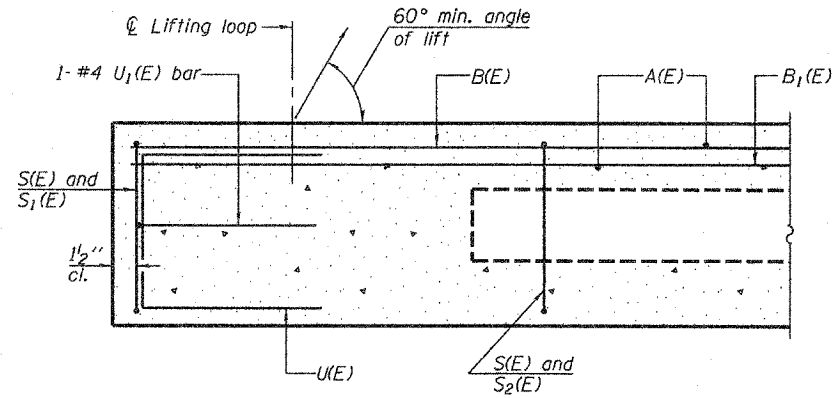


STATE OF ILLINOIS
DEPARTMENT OF TRANSPORTATION

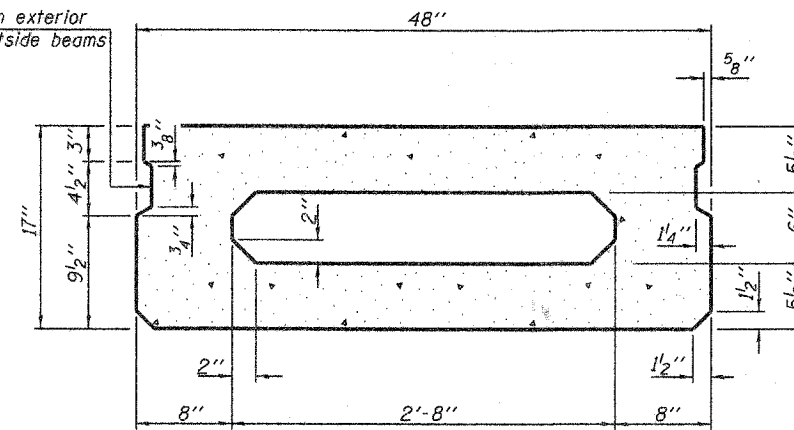
ROUTE NO.	SECTION	COUNTY	TOTAL SHEETS	SHEET NO.	SHEET NO. 8 OF 17 SHEETS
TR 234A	"	SHELBY	24	15	
FED. ROAD DIST. NO.	ILLINOIS	FED. AID PROJECT			

* 04-20118-00-BR CONTRACT NO.95557

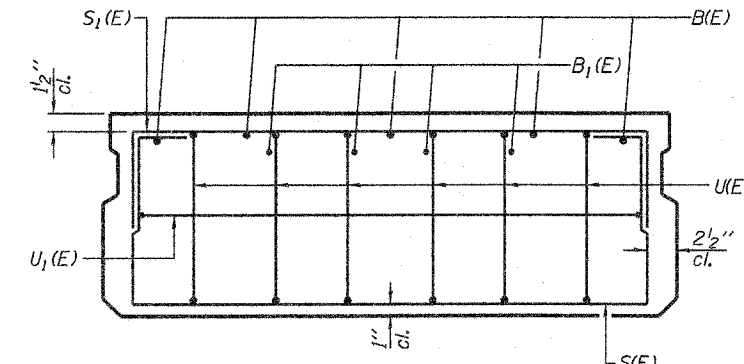


SECTION C-C

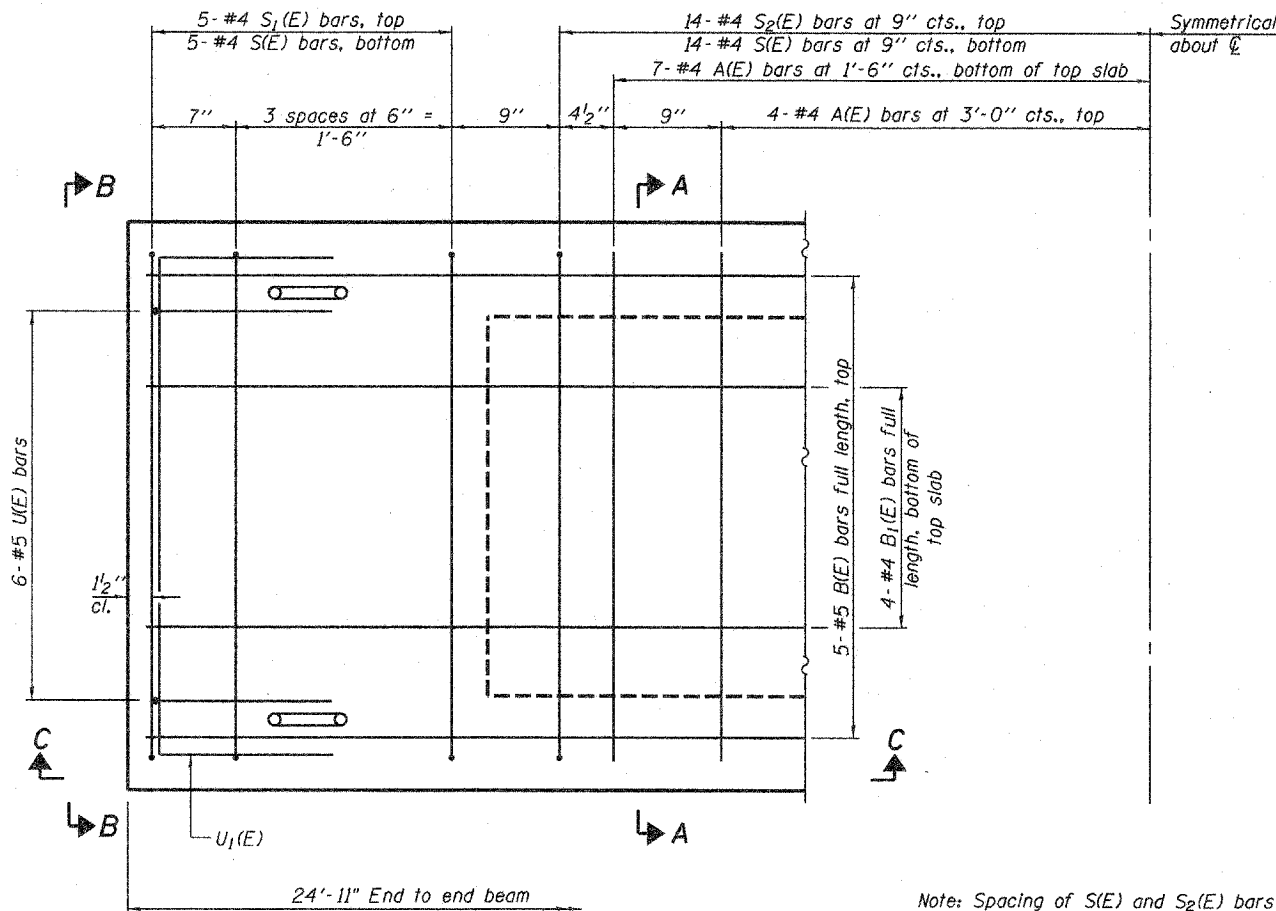
Omit key on exterior face of outside beams



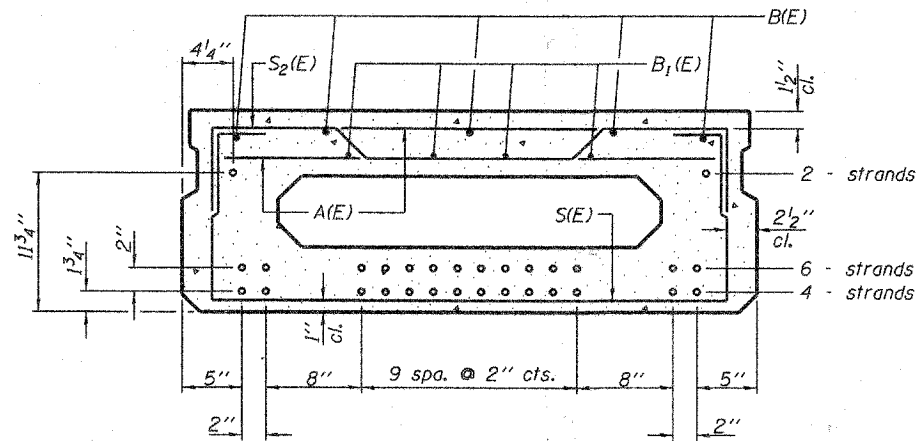
SECTION A-A
(Showing dimensions)



VIEW B-B



PLAN VIEW



SECTION A-A
(Showing reinforcement and permissible strand locations)

Note: Place the number of strands specified in each row symmetrically about the centerline of beam in the permissible strand locations shown.

BAR LIST
ONE BEAM ONLY
(For information only)

Bar	No.	Size	Length	Shape
A(E)	22	#4	3'-7"	—
B(E)	5	#5	24'-8"	—
B1(E)	4	#4	24'-8"	—
S(E)	38	#4	6'-9"	□
S1(E)	10	#4	5'-11"	□
S2(E)	28	#4	6'-2"	□
U(E)	12	#5	3'-8"	□
U1(E)	2	#4	6'-0"	□

Note: Spacing of S(E) and S2(E) bars may be adjusted up to 4" in the immediate area of the transverse tie diaphragms to miss the block outs for the transverse ties.

DESIGNED	SDS
CHECKED	CWC
DRAWN	DLH
CHECKED	SDS

WHKS & CO.
ENGINEERS PLANNERS LAND SURVEYORS
MASON CITY, IOWA DUBUQUE, IOWA AMES, IOWA
E. DUBUQUE, ILLINOIS SPRINGFIELD, ILLINOIS ROCHESTER, MINNESOTA

PD-1748-0

8-29-07

PPC DECK BEAM DETAILS (17" X 4'-0")
SPANS 1 AND 3
TR ROUTE 234A
OVER JORDAN CREEK
SECTION 04-20118-00-BR
SHELBY COUNTY
STA. 54+35

Operator: dhs/bdf/rlf Date: 5/23/2008 File name: L:\apps\DOT\BBS\6956\BBS_Various\Various\6956_05\CADD_Struct\Shelby_04-20118-00-BR.dwg