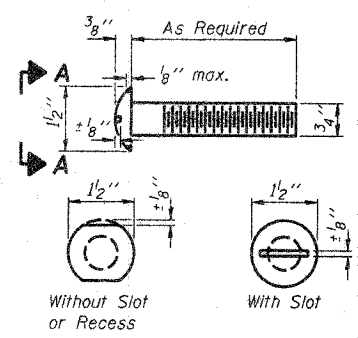
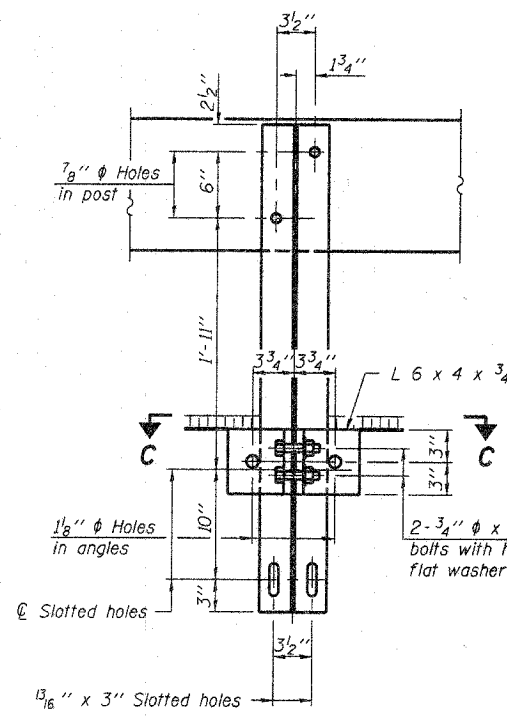
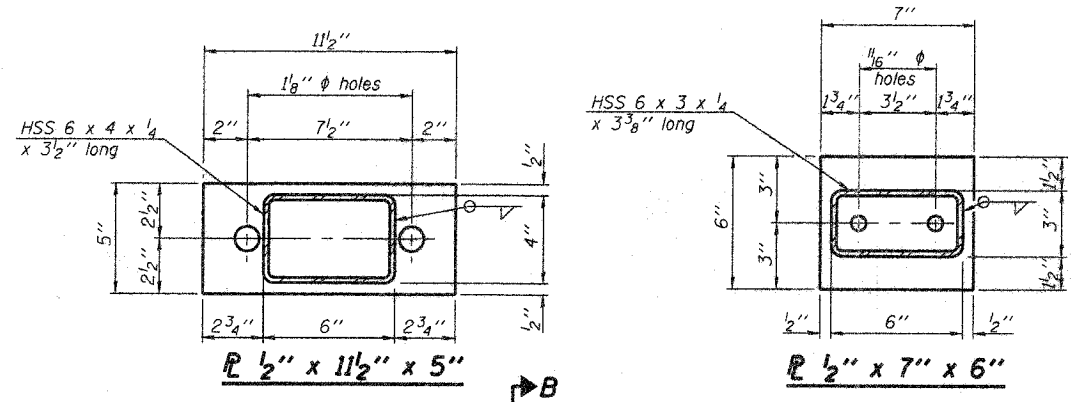


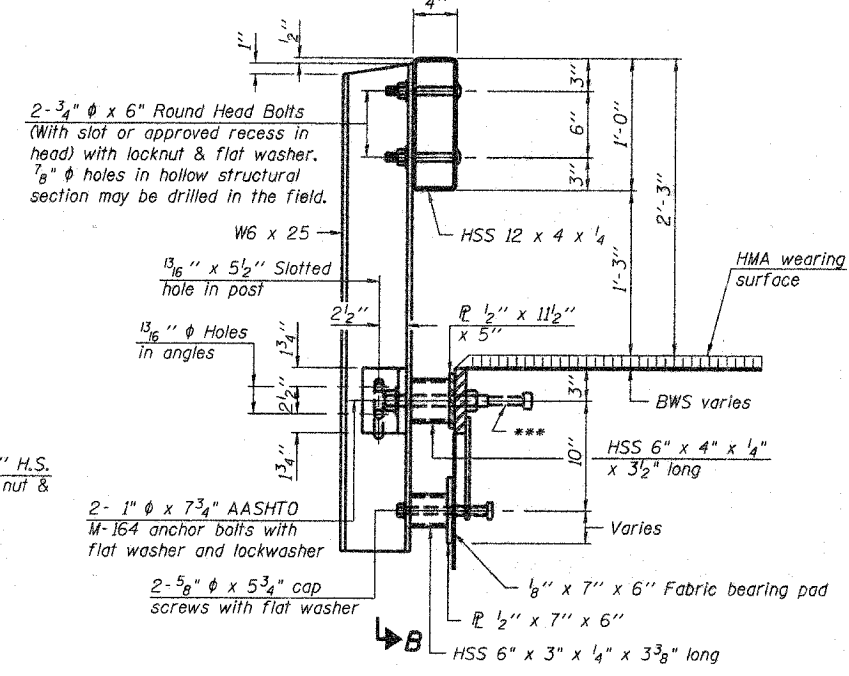
Contract # 95559



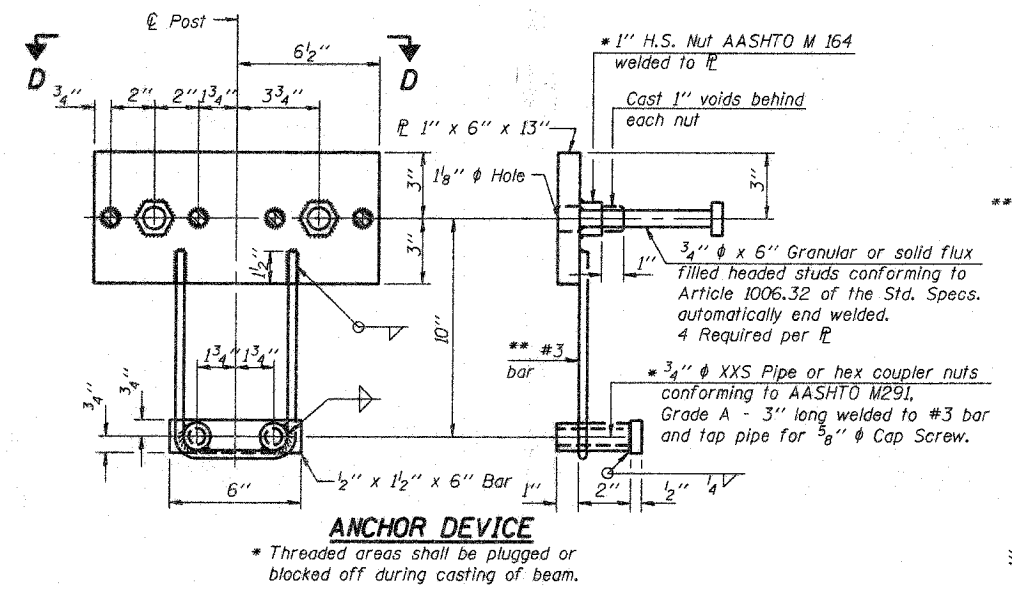
**VIEW A-A  
ROUND HEAD BOLT**



**SECTION B-B**

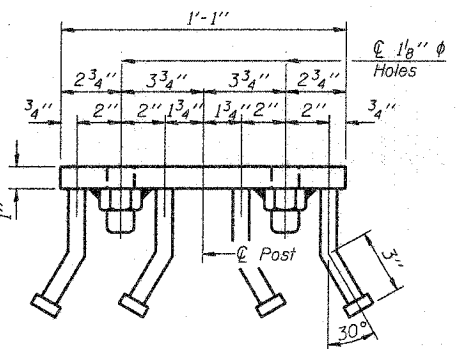


**SECTION AT RAILING POST**

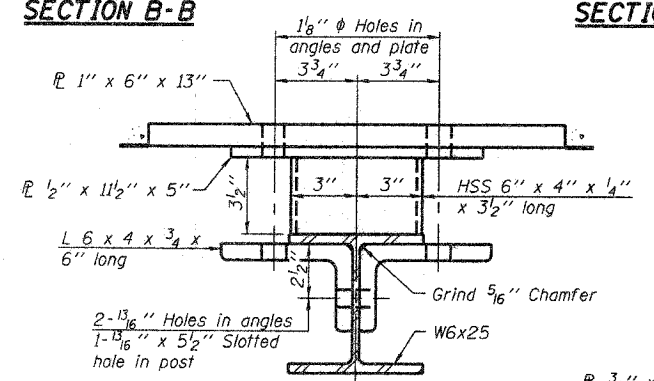


**ANCHOR DEVICE**

**Notes:**  
 All field drilled holes shall be coated with an approved zinc rich paint before erection.  
 For multi-span bridges, sufficient 1/4 inch x 6 inch x 1-2 inch galvanized steel shims shall be provided to align rail between adjacent spans. Cost included with Steel Railing, Type S-1.  
 All steel rail elements shall be galvanized according to Article 509.05 of the Standard Specifications.  
 \*\*\* The studs of the anchor devices shall be placed below the top reinforcement bars and the outermost longitudinal reinforcement bar shall be placed directly above the studs of the rail post anchor device.

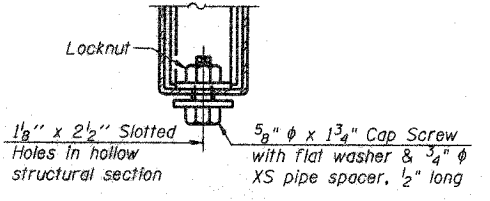


**VIEW D-D**

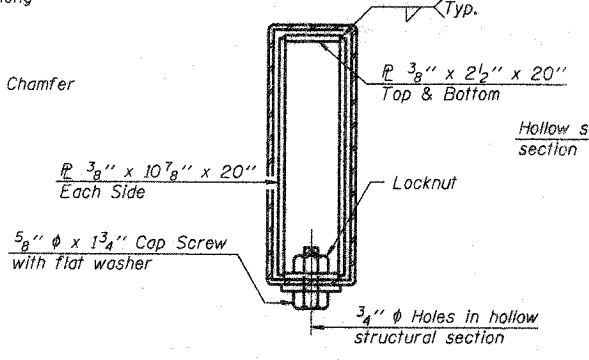


**SECTION C-C**

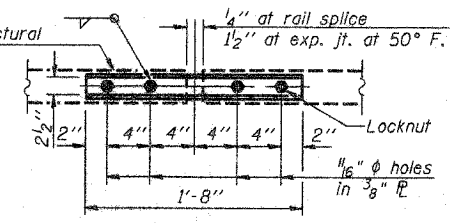
\*\*\* Whenever the lower insert assemblies interfere with strand locations, the #3 bars shall be cut and adjusted in order to allow raising or lowering of the lower inserts. Maximum adjustment not to exceed 1/2 inch.



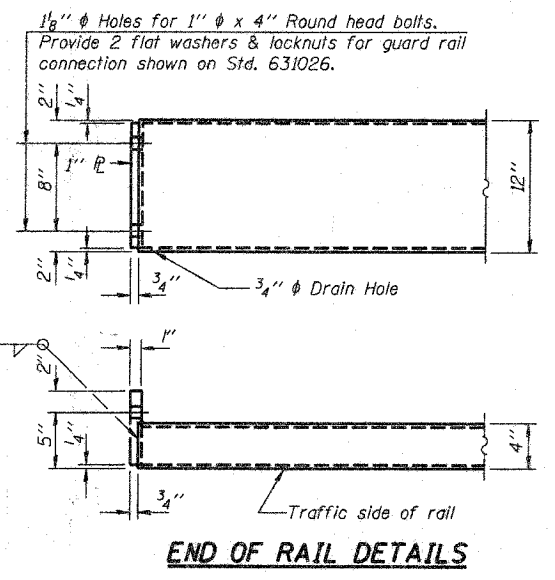
**RAIL SPLICE CONNECTION  
AT EXPANSION JT.**



**SECTIONS AT RAIL SPLICE**



**PLAN-BOTT. SPLICE P  
TYPICAL**



**END OF RAIL DETAILS**

**BILL OF MATERIAL**

Item	Unit	Quantity
Steel Railing, Type S-1	Foot	120

**ESI CONSULTANTS, LTD**  
 753 WINDSOR ROAD  
 CHARLESTON, IL 61920  
 (217) 548-1800  
 WWW.ESICONSULTANTSLTD.COM  
 ILLINOIS DEPARTMENT OF PROFESSIONAL REGULATION REGISTRATION #184-093885

**STEEL RAILING, TYPE S-1**  
**F.A.S. 1705**  
**OVER TURKEY CREEK**  
**SECTION 08-00110-00-BR**  
**JASPER COUNTY**  
**STATION 5+00**