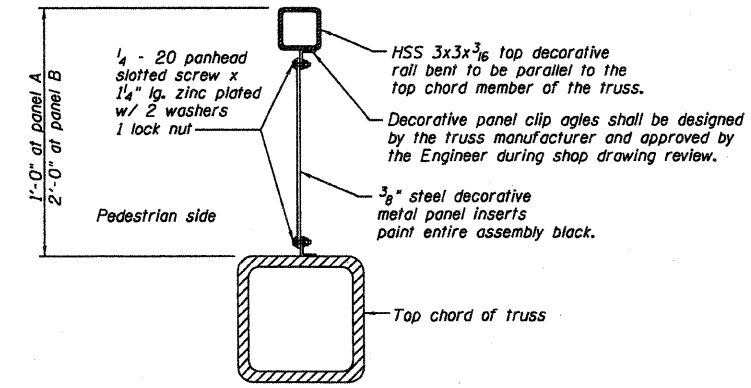
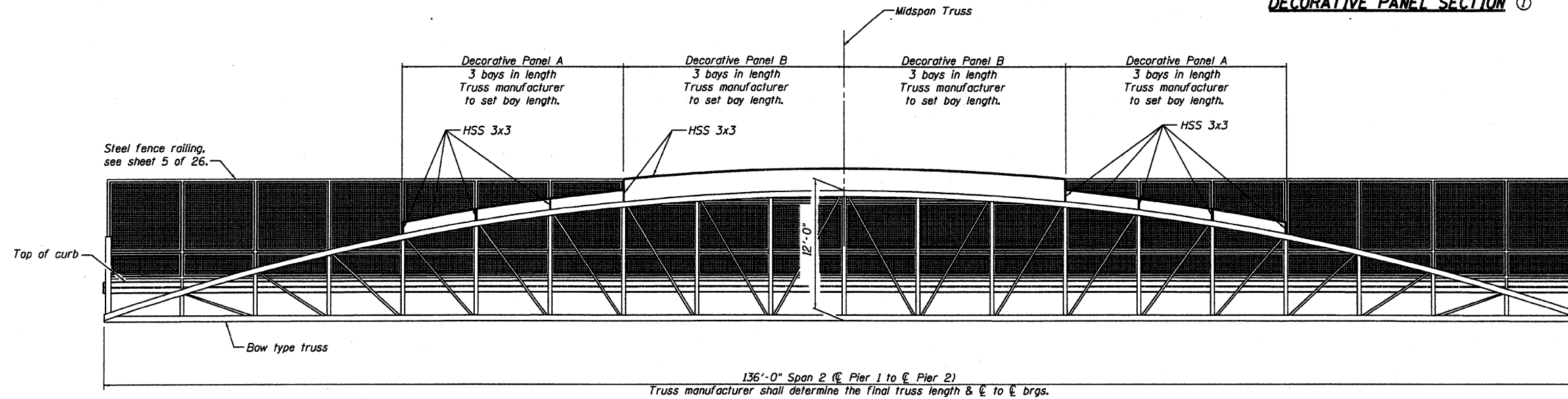


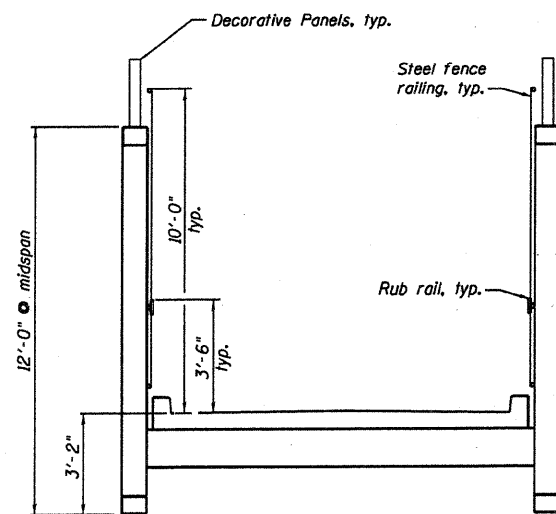
SPANS 1 & 3 - TRUSS DIMENSIONS



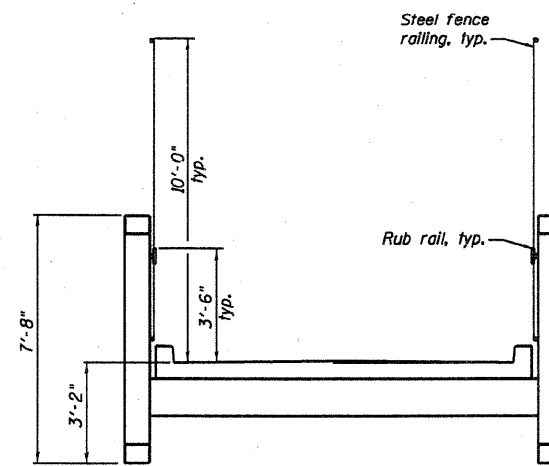
DECORATIVE PANEL SECTION ①



SPAN 2 - TRUSS DIMENSIONS



SPAN 2 - SECTION THRU TRUSS



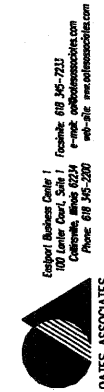
SPANS 1 & 3 - SECTION THRU TRUSS

Notes:
 ① Maintain 1/2" gap between support members and decorative panel edge.

TRUSS DETAIL SHEET
ALTON PEDESTRIAN WALKWAY OVER
UNION PACIFIC RAILROAD, NORFOLK
SOUTHERN RAILROAD AND US ROUTE 67
MADISON COUNTY
STA. 2+42.54
STRUCTURE NO. 060-6111

DWG. NO.	S1A
6111-01A-TRUSSHT.DGN	
REF. BK.	PG.
JOB NO.	28053
DSH. BY:	JCS
DWN. BY:	JCS
CHK. BY:	DGL
DATE:	3/28/08
SCALE:	
SHEET 21A OF 54	

REVISIONS



ALTON, ILLINOIS
PEDESTRIAN OVERPASS AT LANGDON ST.