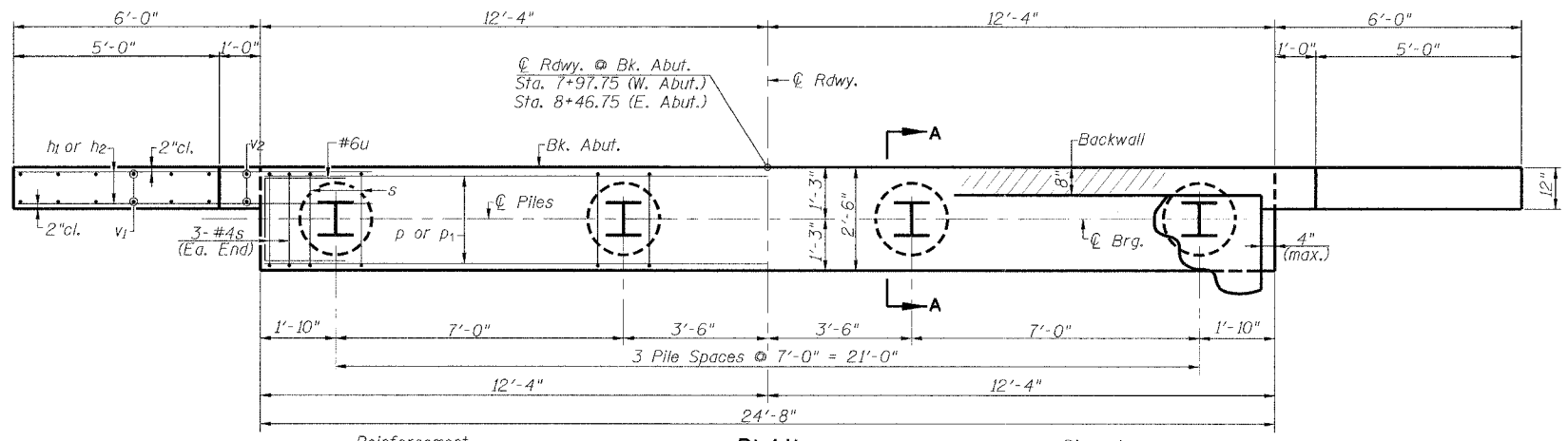
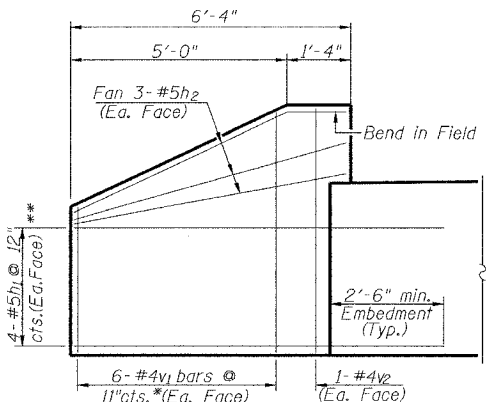


**ELEVATION**

(W. Abut. Looking West)  
(E. Abut. Looking East)

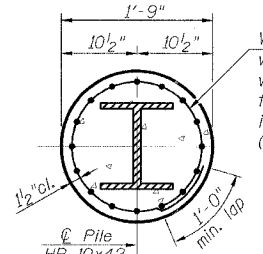


**PLAN**



**WINGWALL ELEVATION**

(Showing Reinforcement)  
\* See v1-bar cut diagram  
\*\* Field cut #5h3 in front face as required to miss pile



**SECTION B-B**

Welded Wire Fabric 6x6-W4.0-W4.0 weighing 58#/100 sq.ft. Cost included with Concrete Encasement. (Excavation for placement of Encasement shall be included with Concrete Encasement. (Extend W.W.F. 10" min. into cap).

**PILE DATA**

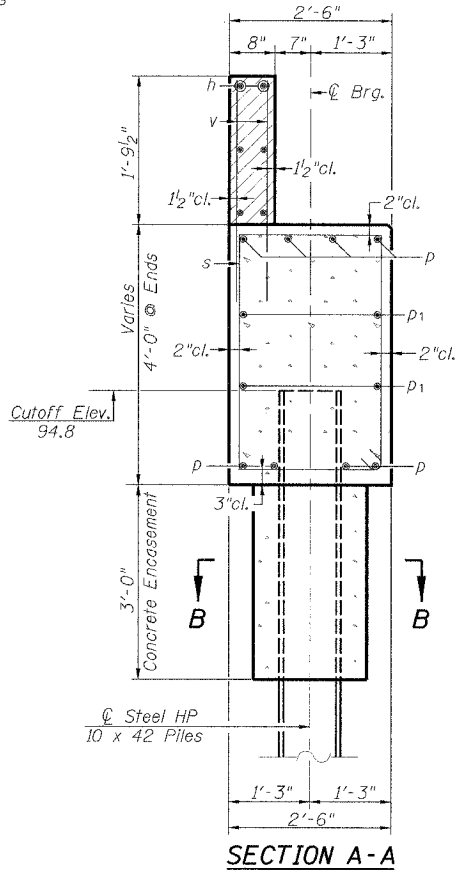
W. Abut.	E. Abut.
Steel HP 10x42	Steel HP 10x42
Nominal Required Bearing: 335 Kips	335 Kips
Allowable Resistance Available: 110 Kips	110 Kips
Estimated Pile Length: 52'	52'
Number of Production: 4	3
Number of Test Piles: 0	1

The Steel H-Piles shall be according to AASHTO M270 Grade 50. The Test Pile shall be driven to 110 percent of the Nominal Required Bearing indicated in the pile data information.

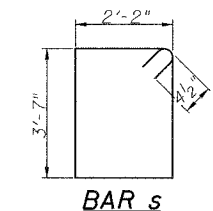
**NOTES**

All exposed edges shall have standard 3/4" chamfer. Space reinforcement in cap to miss beam anchor dowels. Wingwalls and Backwalls may, at the contractor's option, be cast monolithically. Hatched area and wingwalls shall be poured after deck beams are anchored in place. Quantity for Concrete Structures is included in Bill of Material, this sheet. The Steel H-Piles shall be according to AASHTO M270 Grade 50. The Test Pile shall be driven to 110 percent of the Nominal Required Bearing indicated in the pile data information.

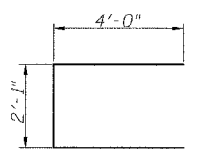
T.R. RTE.	SECTION	COUNTY	TOTAL SHEETS	SHEET NO.
77	05-09111-00-BR	JERSEY	10	7
CONTRACT NO. 97344				
FED. ROAD DIST. NO. ILLINOIS FED. AID PROJECT				



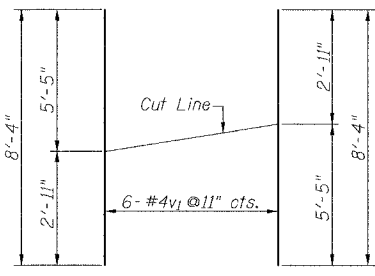
**SECTION A-A**



**BAR s**



**BAR u**



**v1 - BAR CUT DIAGRAM**

Order v1 bars full length. Layout in field according to diagram. Cut v1 bars along cut line. Use remainder of each bar in opposite face.

**TWO ABUTMENTS BILL OF MATERIAL**

BAR	NO.	SIZE	LENGTH	SHAPE	
h	12	#4	26'-8"	—	
h1	32	#5	8'-6"	—	
h2	24	#5	6'-2"	—	
p	16	#6	24'-4"	—	
p1	8	#5	24'-4"	—	
s	54	#4	12'-3"	□	
u	16	#6	10'-1"	—	
v	100	#4	3'-3"	—	
v1	24	#4	8'-4"	—	
v2	8	#4	5'-5"	—	
Concrete Structures				Cu. Yd.	25.2
Reinforcement Bars				Pound	2430
Furnishing Steel Piles HP 10x42				Foot	364
Driving Piles				Foot	364
Test Pile Steel HP10x42				Each	1
Concrete Encasement				Cu. Yd.	2.2
Structure Excavation				Cu. Yd.	75

FILE NAME =	USER NAME =	DESIGNED -	REVISED -
RII.D.L.S	%USER#	---	---
PLOT SCALE =	CHECKED -	REVISED -	REVISED -
%SCALE#	---	---	---
PLOT DATE =	DATE -	REVISED -	REVISED -
%DATE#	---	---	---

**Allen Henderson & Associates, Inc.**  
Civil and Structural Engineers Springfield, IL  
62703 Phone: (217)544-8033 IL Design Firm  
No. 184-001907

**ABUTMENTS**

SCALE: VARIES	SHEET NO. 7 OF 10 SHEETS	STA. 5+90.00 TO STA. 10+00.00
---------------	--------------------------	-------------------------------

T.R. RTE.	SECTION	COUNTY	TOTAL SHEETS	SHEET NO.
77	05-09111-00-BR	JERSEY	10	7
CONTRACT NO. 97344				
FED. ROAD DIST. NO. ILLINOIS FED. AID PROJECT				