

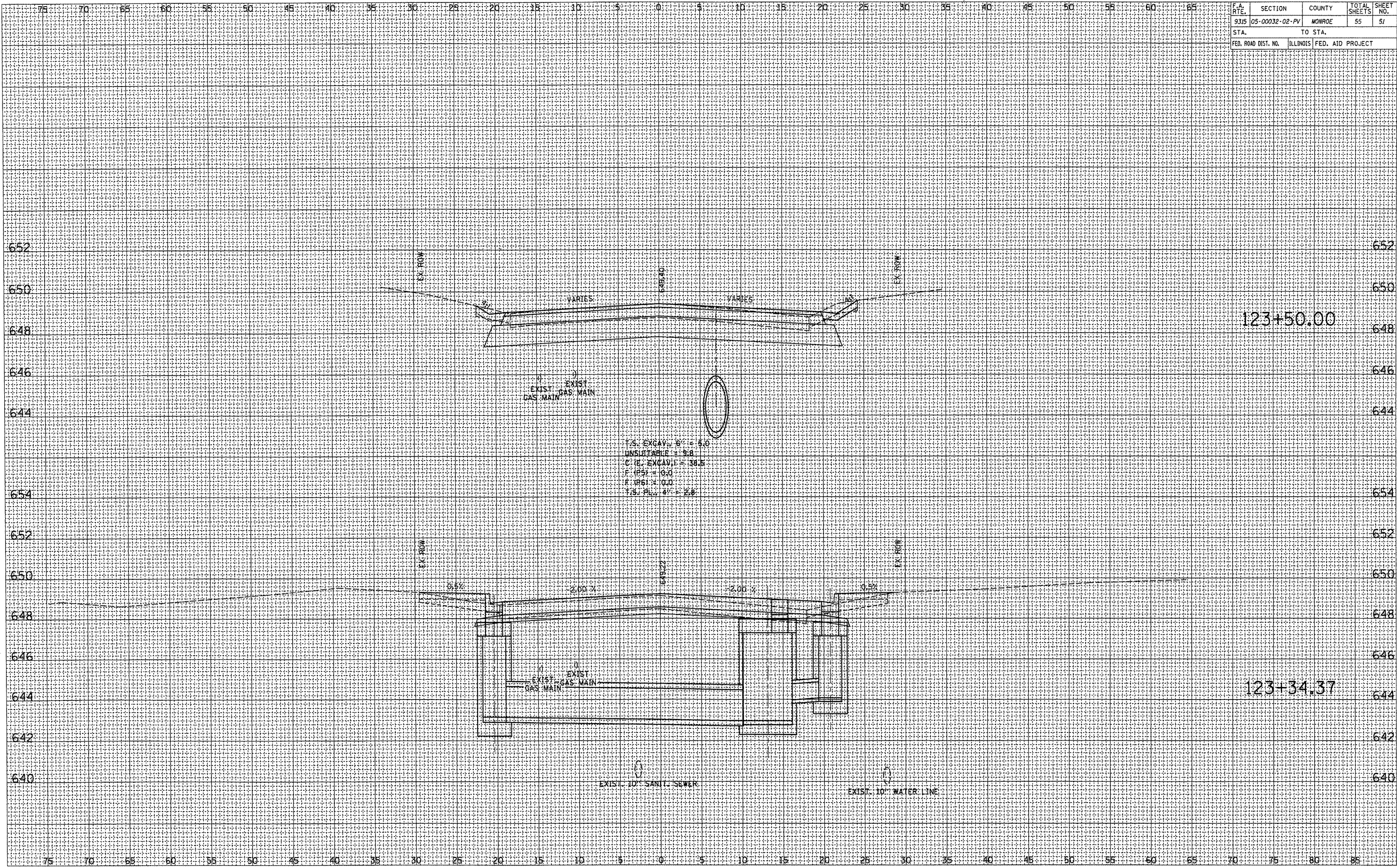
F.A. RTE.	SECTION	COUNTY	TOTAL SHEETS	SHEET NO.
9315	05-00032-02-PV	MONROE	55	51
STA.		TO STA.		
FED. ROAD DIST. NO.		ILLINOIS FED. AID PROJECT		

BY	DATE

FINAL SURVEY	
NOTE BOOK	
AREAS CHECKED	

BY	DATE

ORIGINAL SURVEY	
NOTE BOOK	
AREAS CHECKED	



123+50.00

123+34.37

MOORE STREET