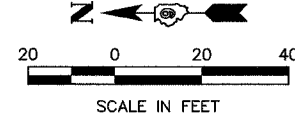


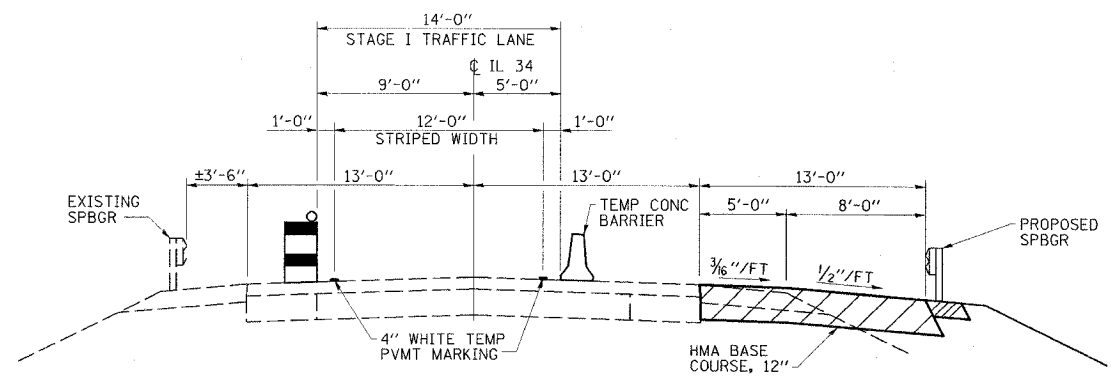
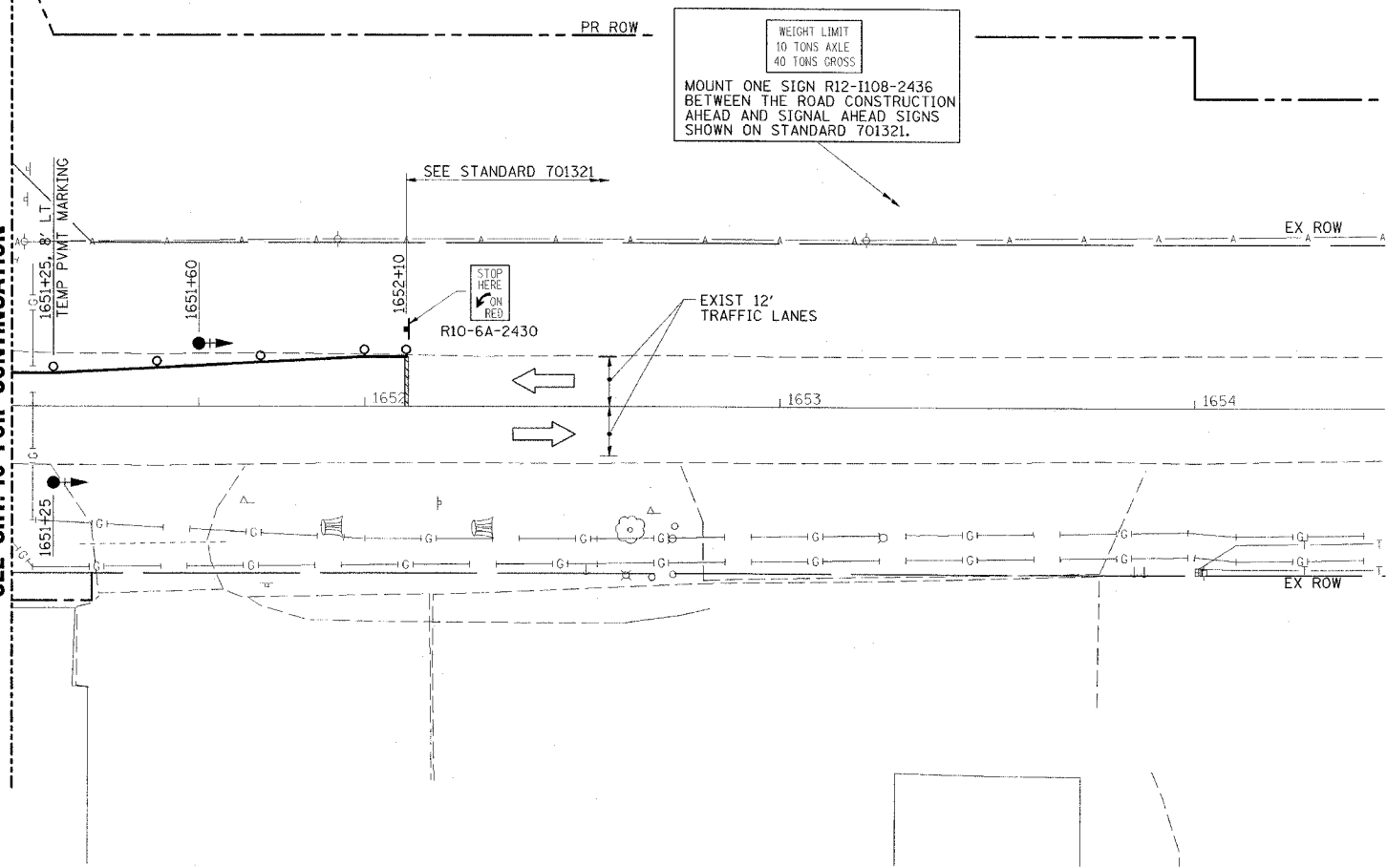


CONTRACT NO. 98999

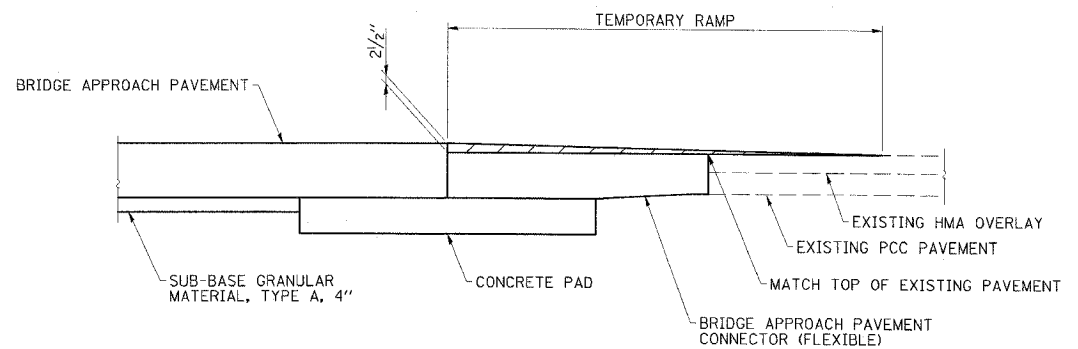
FAP RTE	SECTION	COUNTY	TOTAL SHEETS	SHEET NO.
869	(105A)B-1	SALINE	71	17
STA. 1651+15		TO STA. 1652+10		
FED. ROAD DIST. NO.	ILLINOIS	FED. AID PROJECT		



MATCHLINE STATION 1651+15  
SEE SHT. 16 FOR CONTINUATION



SECTION A-A



SECTION B

**ESCA**  
CONSULTANTS, INC.

DESIGNED BY:	MTD	07/07
DRAWN BY:	DWH	07/07
CHECKED BY:	MTD	10/07
APPROVED BY:	RDP	03/08

STAGE I CONSTRUCTION  
FAP RTE 869 (IL 34)  
SECTION (105A)B-1  
SALINE COUNTY