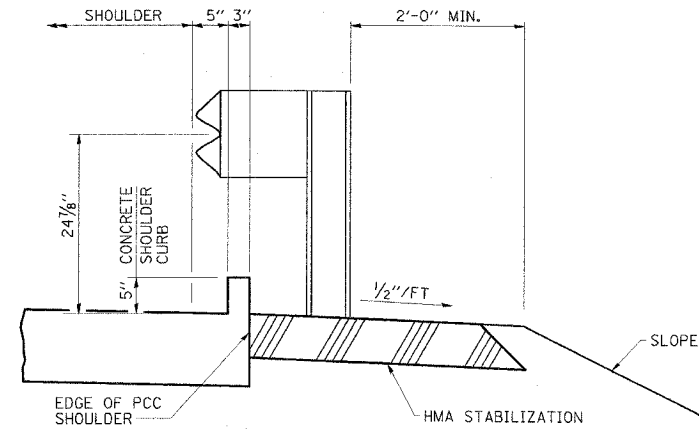
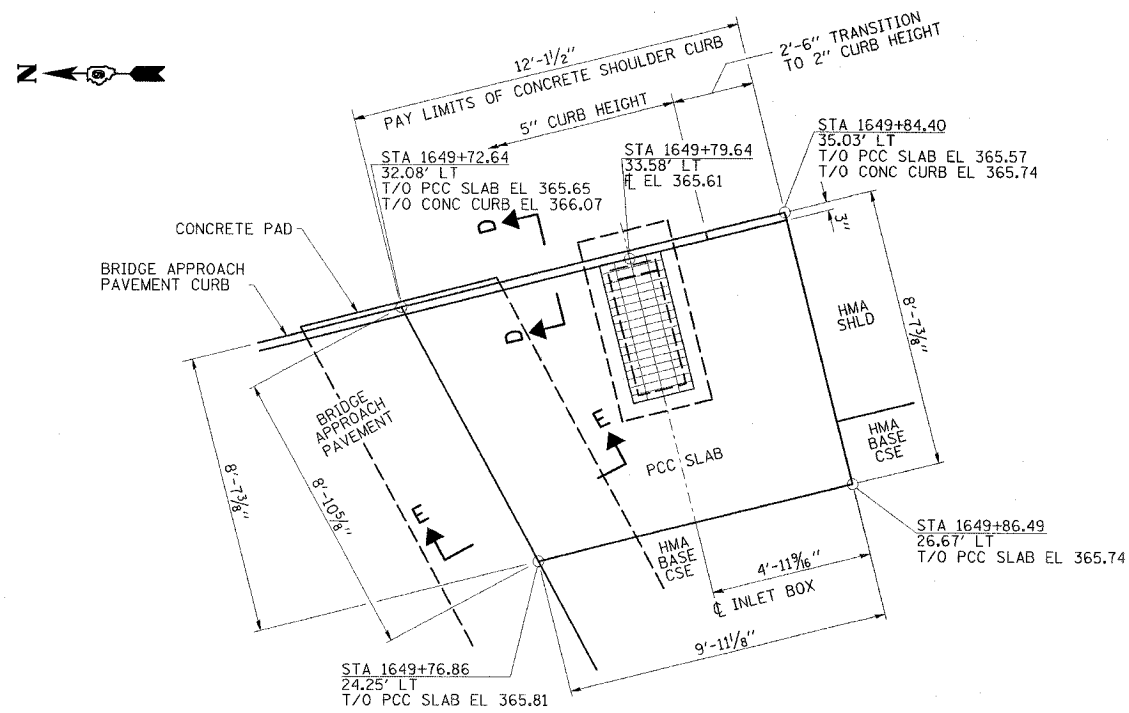


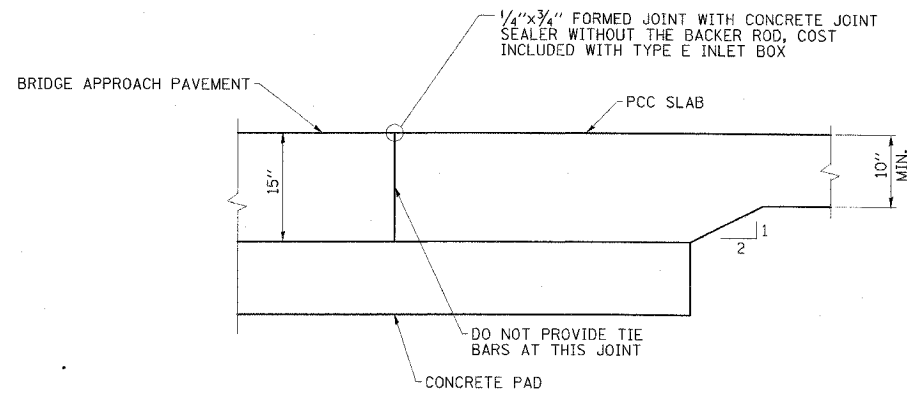
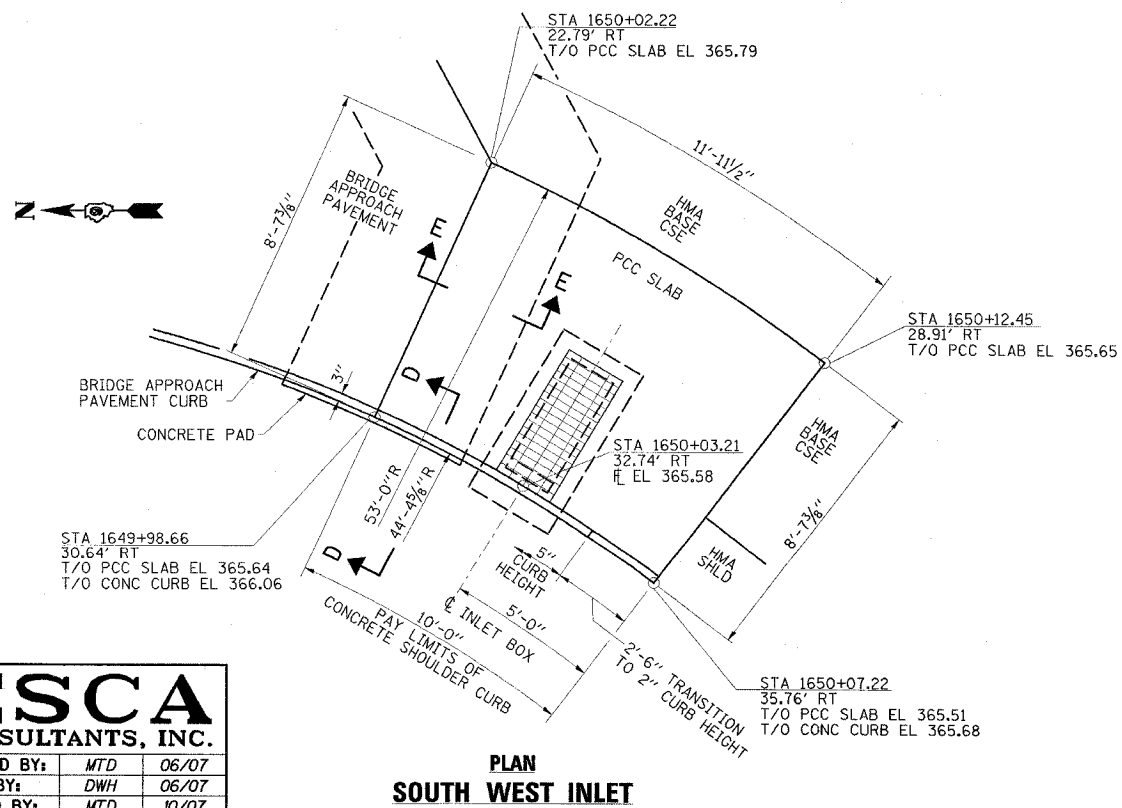


FAP RTE	SECTION	COUNTY	TOTAL SHEETS	SHEET NO.
869	(105A)B-1	SALINE	71	25
STA.		TO STA.		
FED. ROAD DIST. NO.		ILLINOIS	FED. AID PROJECT	



NOTES

1. SEE STANDARD 610001 FOR REINFORCEMENT. ADDITIONAL DETAILS AND SECTIONS NOT SHOWN.
2. SECTION C-C AND DETAIL B ON STANDARD 610001 DO NOT APPLY.
3. PCC SLAB THICKNESS SHALL BE 10" MIN. REGARDLESS OF ADJACENT PAVEMENT OR SHOULDER THICKNESS EXCEPT AS SHOWN IN SECTION E-E.



TYPE E INLET BOX
STANDARD 610001 DETAILS
FAP RTE 869 (IL 34)
SECTION (105A)B-1
SALINE COUNTY

ESCA
CONSULTANTS, INC.

DESIGNED BY:	MTD	06/07
DRAWN BY:	DWH	06/07
CHECKED BY:	MTD	10/07
APPROVED BY:	RDP	03/08

PLOT DATE = #DATE#
 FILE NAME = #FILE#
 PLOT SCALE = #SCALE#
 REFERENCE = #REF#