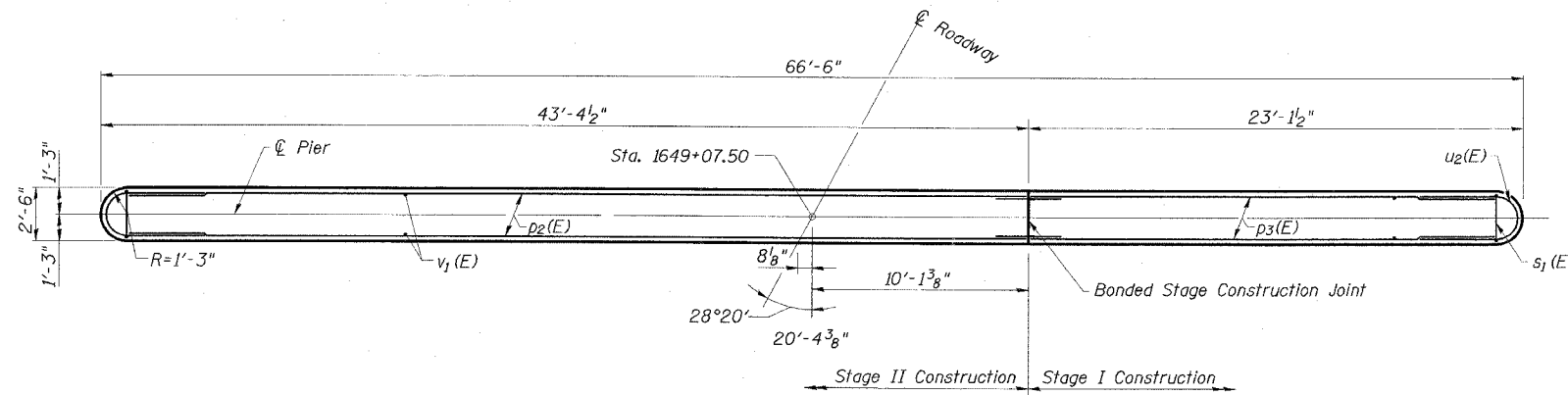
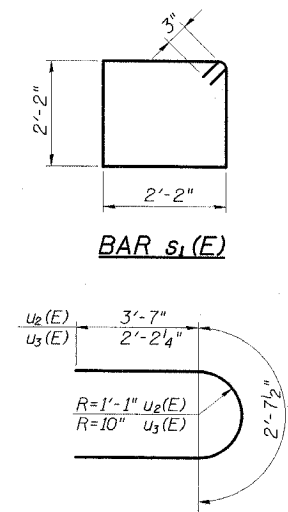


STATE OF ILLINOIS  
DEPARTMENT OF TRANSPORTATION

ROUTE NO.	SECTION	COUNTY	SHEETS	SHEET	SHEET NO. 13
FAP 869	*	SALINE	71	42	17 SHEETS
FED. ROAD DIST. NO.	ILLINOIS	FED. AID PROJECT			
CONTRACT NO. 98999			*105A18-1		



TOP PLAN



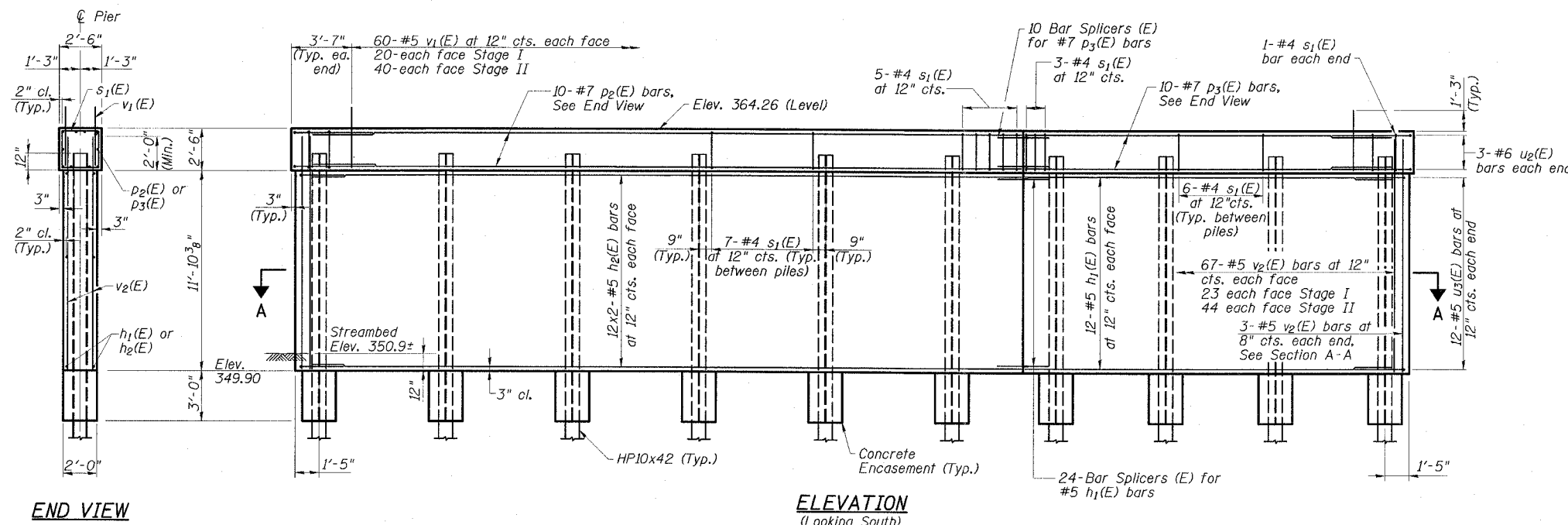
BAR BENDING DETAILS

NOTES

- For pile details and concrete encasement details see Dwg. No. 16 of 17.
- Bars indicated thus: 9x2-#7 etc. Indicates 9 lines of bars with 2 lengths per line.

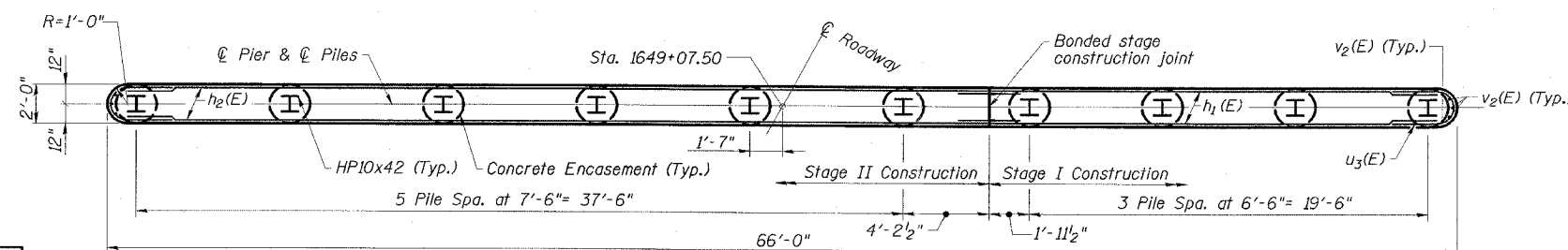
PIER 1  
BILL OF MATERIAL

Bar	No.	Size	Length	Shape
$h_1(E)$	24	#5	21'-9"	—
$p_2(E)$	48	#5	21'-8"	—
$p_2(E)$	10	#7	42'-0"	—
$p_3(E)$	10	#7	21'-9"	—
$s_1(E)$	126	#4	9'-2"	□
$u_2(E)$	6	#6	10'-7"	U
$u_3(E)$	24	#5	7'-0"	U
$v_1(E)$	120	#5	3'-6"	—
$v_2(E)$	140	#5	13'-8"	—
Concrete Structures	Cu. Yd.	73		
Reinforcement Bars, Epoxy Coated	Pound	6410		
Structure Excavation	Cu. Yd.	53		
Test Pile Steel HP10x42	Each	1		
Furnishing Steel Piles HP10x42	Lin. Ft.	225		
Driving Piles	Lin. Ft.	225		
Underwater Structure Excavation Protection Location 1	Each	1		
Bar Splicers	Each	34		
Concrete Encasement	Cu. Yd.	3.5		



ELEVATION  
(Looking South)

END VIEW



SECTION A-A

MIN. BAR LAP

#5 ..... 1'-10"

PILE DATA

Pile Type & Size: Steel HP10x42  
Nominal Required Bearing: 335 kips  
Allowable Resistance Available: 111 kips  
Estimated Pile Length: 25'  
No. of Production Piles: 9  
No. of Test Piles: 1

PIER 1

IL 34 OVER

WEST HARRISBURG DRAINAGE DITCH  
FAP ROUTE 869 - SECTION (105A)B-1

SALINE COUNTY

STATION 1649+21.50

STRUCTURE NO. 083-0066

**ESCA**  
CONSULTANTS, INC.

DESIGNED BY:	FMA	2/08
DRAWN BY:	DWH/JPC	2/08
CHECKED BY:	RDP	2/08
APPROVED BY:	RDP	3/08