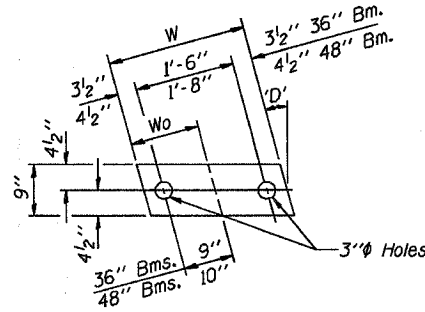
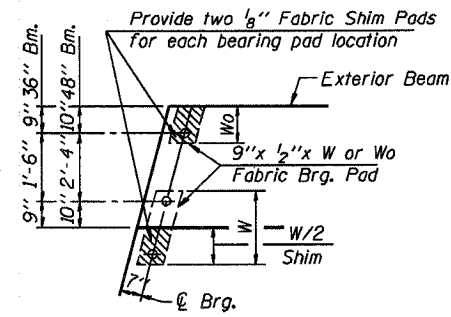
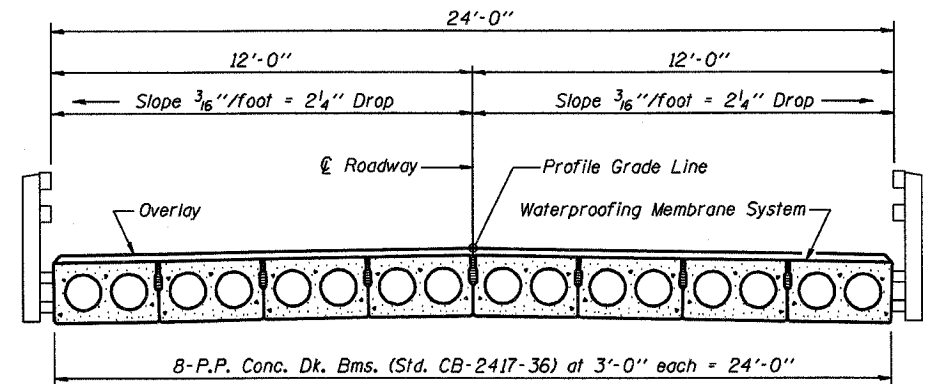


TYPICAL ELEVATIONS

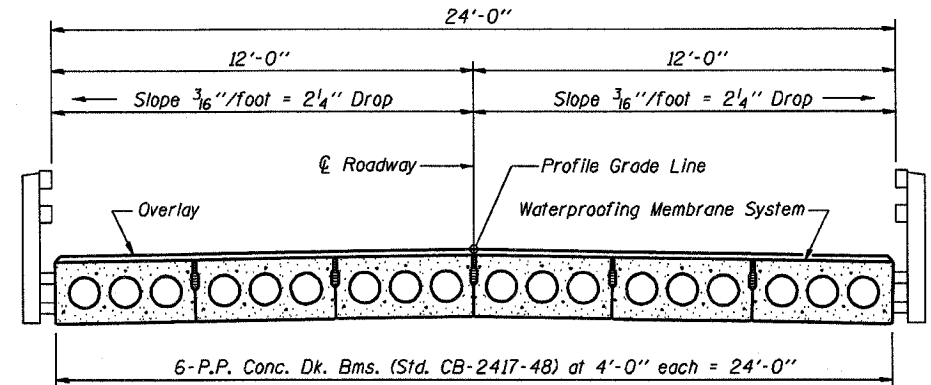


Beam	W	Wo
36"	2'-1"	1'-0 1/2"
48"	2'-5"	1'-2 1/2"

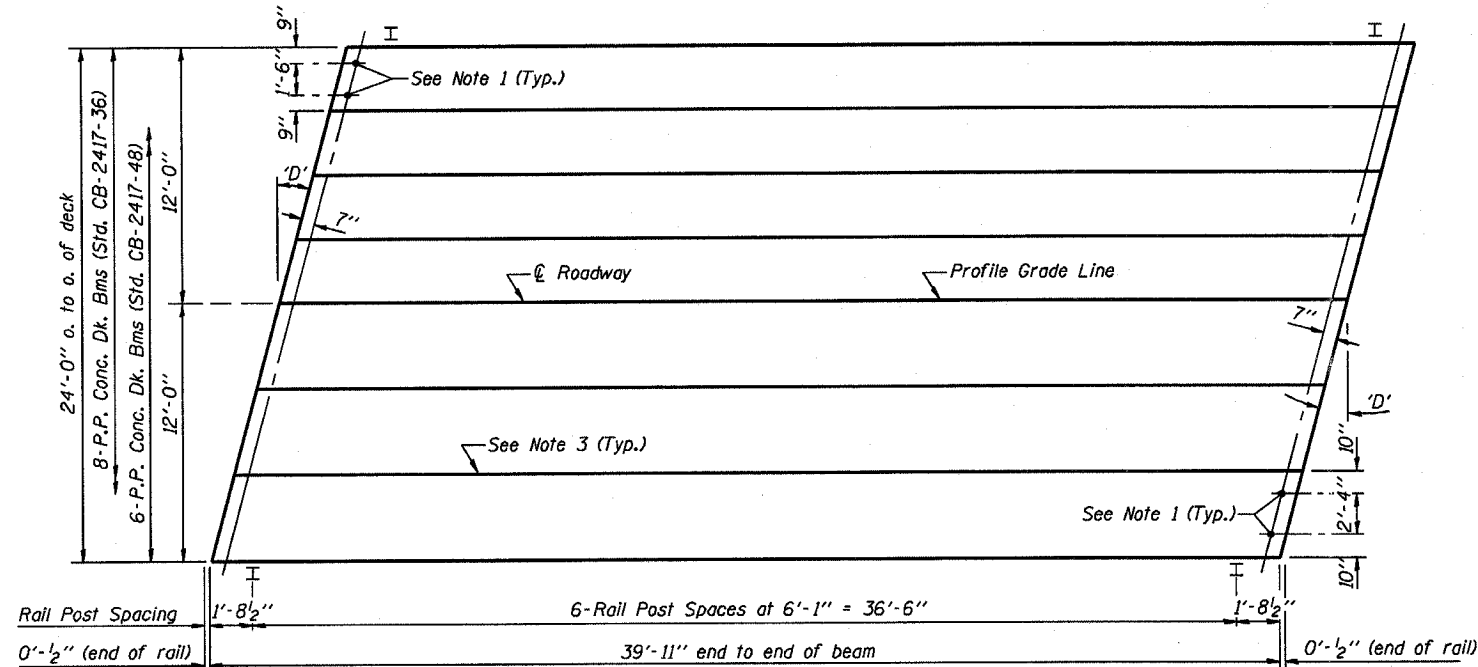
1/2" FABRIC BRG. PAD DETAILS



CROSS SECTION

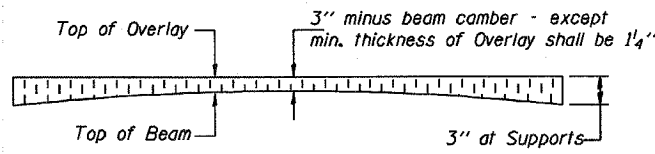


CROSS SECTION



PLAN

("D" = Designated Skew Angle)



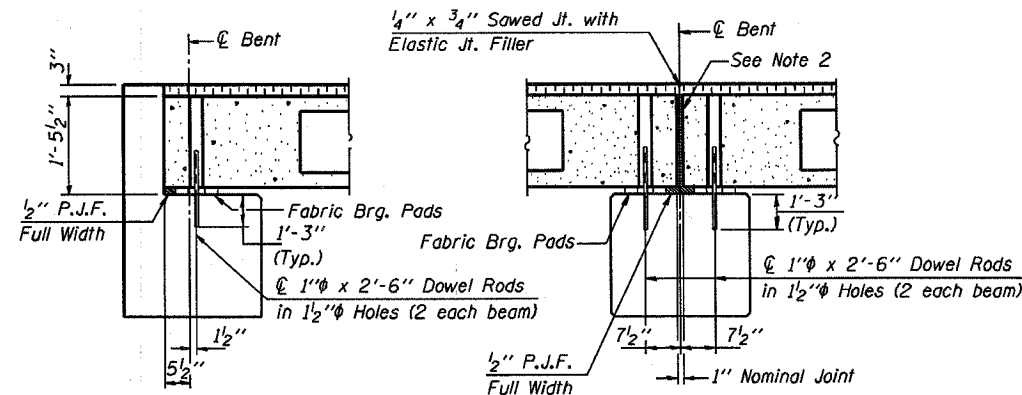
PROFILE OF OVERLAY

DIMENSIONS 'A' AND 'B'

'D'	5°	10°	15°	20°	25°	30°
A	1 1/2"	1 5/8"	1 3/4"	1 7/8"	2 1/4"	2 5/8"
B	7 1/2"	7 5/8"	7 3/4"	8"	8 1/4"	8 5/8"

NOTES

- After beams have been erected, holes shall be drilled into substructure and anchor dowels placed. Dowel holes shall be filled with non-shrink grout to top of beam and allowed to cure min. 24 hrs. prior to grouting the shear keys.
- Nominal 1" joint at centerline of Pier shall be filled with non-shrink grout.
- Longitudinal keys shall be grouted.



SECTION AT ABUTS.
(Along centerline of Beams)

SECTION AT PIERS
(Along centerline of Beams)

QUANTITIES FOR ONE SPAN

P.P. Conc. Dk. Bm. 17" Dp.	960 Sq. Ft.
Steel Railing	80 Ft.
Waterproofing Membrane System	106.7 Sq. Yds.
Portland Cement Mortar	280 Ft. 36"
Fairing Course	200 Ft. 48"

Note: Quantity of overlay for one span = 13.2 Tons

P.P.C. DECK BEAM
SUPERSTRUCTURE

24' RDWY.	17" BMS.	40' SPAN	LEFT
STANDARD CS-2417-40L			

Illinois Department of Transportation
 PASSED APRIL 4, 2005
 Engineer of Bridge Design
 APPROVED APRIL 4, 2005
 Engineer of Bridges and Structures