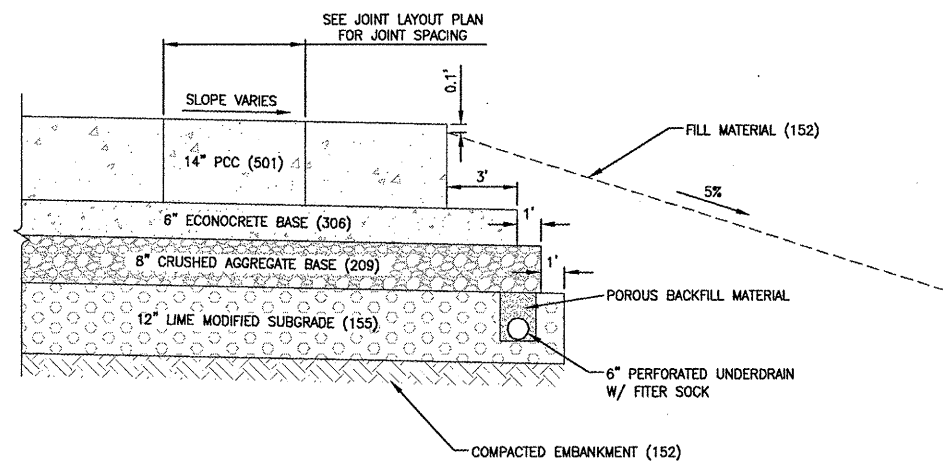


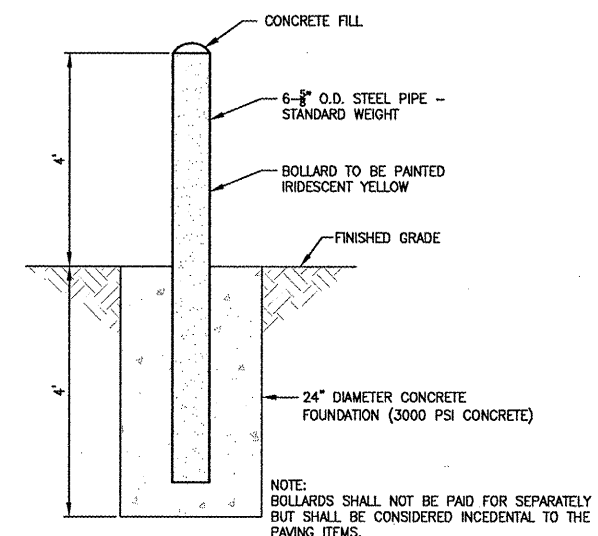
TYPICAL PERIMETER ROAD PAVEMENT SECTION

NTS



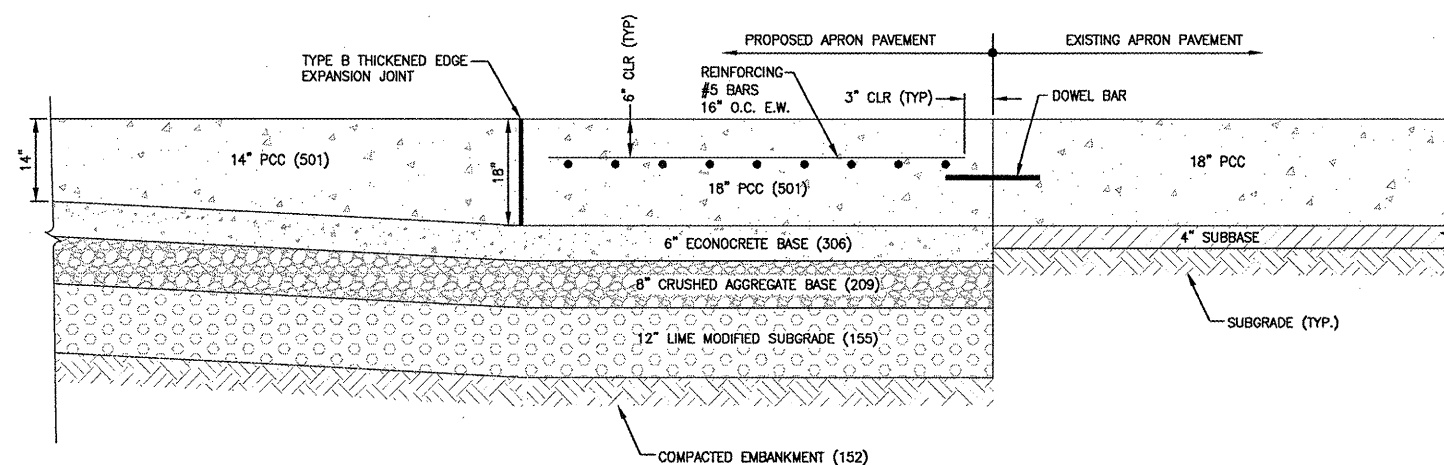
TYPICAL PCC APRON PAVEMENT SECTION

NTS



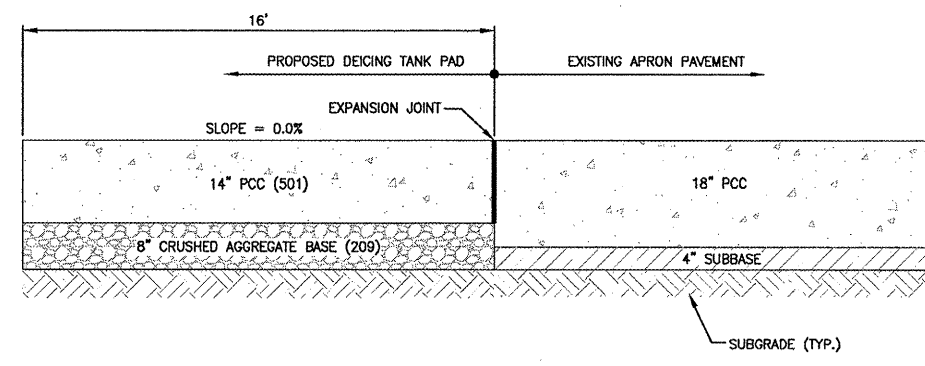
TYPICAL BOLLARD DETAIL

NTS



JUNCTION DETAIL A-A

NTS



STORAGE TANK PAD SECTION B-B

NTS

PE087

RS&H
IMPROVING YOUR WORLD

850 East Diehl Road
Suite 120
Naperville, Illinois 60563
630-505-1991 FAX 630-505-1977
www.reandh.com

GREATER
Peoria
REGIONAL
Airport
PEORIA, ILLINOIS

TERMINAL
APRON
EXPANSION

SUBCONSULTANTS

PSA Dewberry

STS | AECOM

IL PROJECT: PIA-3812
AIP PROJECT: 3-17-0080-46

REVISIONS

NO.	DESCRIPTION	DATE

DATE ISSUED: 06/27/08

REVIEWED BY: PCB

DRAWN BY: MJL

DESIGNED BY: NDO

AEP PROJECT NUMBER

213-6945-000

© 2008 REYNOLDS, SMITH AND HILLS INC.

SHEET TITLE

TYPICAL
PAVEMENT
SECTIONS
AND DETAILS

SHEET NUMBER

17 OF 43

ISSUED FOR
BID DOCUMENTS