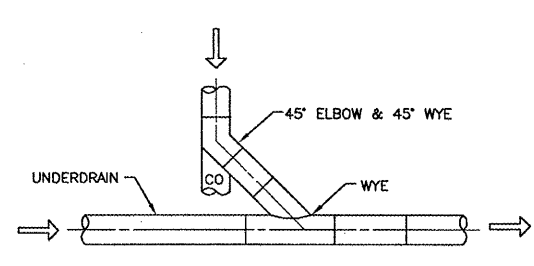
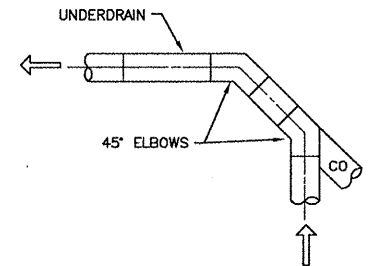


**TYPICAL JUNCTION PLAN**  
N.T.S.

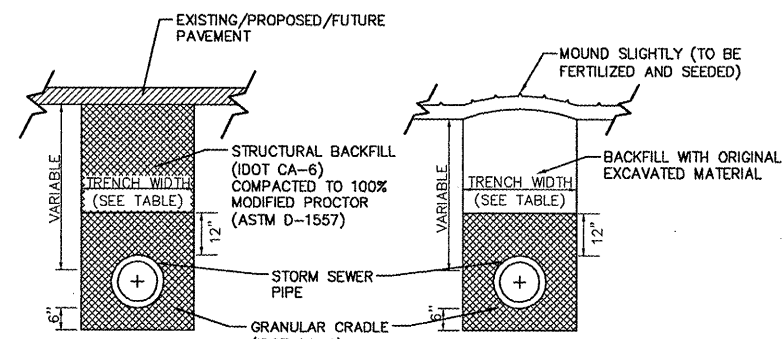


**TYPICAL 'T' PLAN**  
N.T.S.



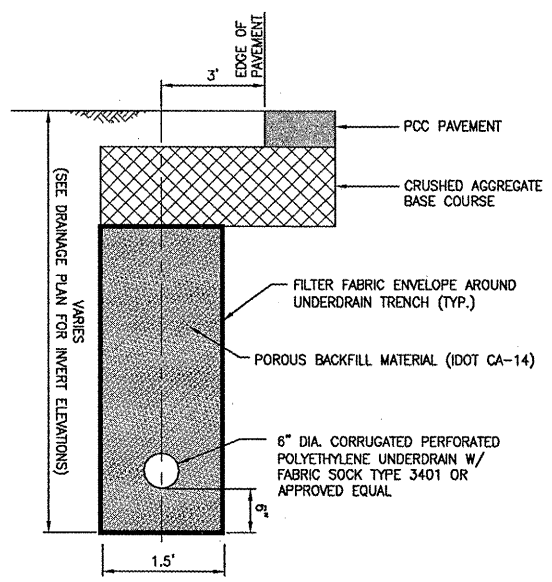
**90 DEGREE BEND PLAN**  
N.T.S.

INSIDE DIAMETER OF STORM SEWER (INCHES)	MAXIMUM TRENCH WIDTH
6	3'-7"
8	3'-9"
12	4'-2"
15	4'-6"
18	4'-9"
21	5'-0"
24	5'-4"
27	5'-7"
30	5'-11"
36	6'-6"
42	7'-1"
48	7'-8"
54	8'-3"
60	8'-10"

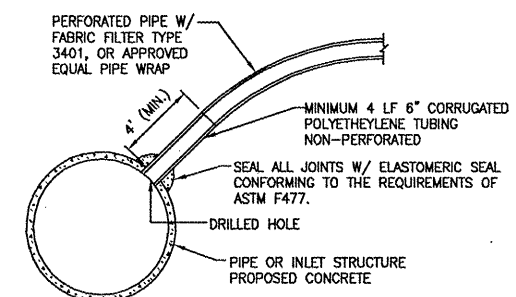


**STORM SEWER TRENCH DETAIL**  
N.T.S.

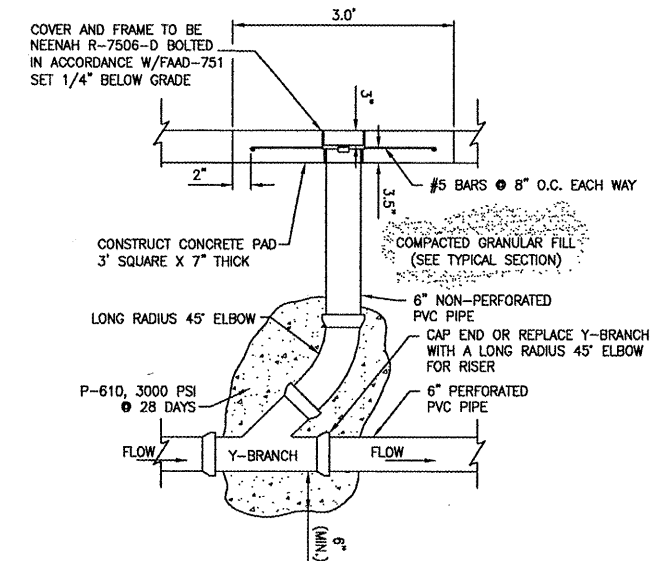
- NOTES:
1. GRANULAR BACKFILL SHALL BE INSTALLED FIVE FEET BEYOND EDGE OF PROPOSED PAVEMENT.
  2. TRENCH BEDDING AND BACKFILL IS INCIDENTAL TO PIPE INSTALLATION.



**TYPICAL TRENCH DETAIL FOR UNDERDRAIN**  
N.T.S.



**UNDERDRAIN CONNECTION TO STORM SEWER**  
N.T.S.



**UNDERDRAIN CLEANOUT DETAIL**  
N.T.S.

PE087

**RS&H**  
IMPROVING YOUR WORLD

850 East Diehl Road  
Suite 120  
Naperville, Illinois 60563  
630-505-1991 FAX 630-505-1977  
www.rsandh.com

GREATER  
**Peoria**  
REGIONAL  
**Airport**  
PEORIA, ILLINOIS

TERMINAL  
APRON  
EXPANSION

SUBCONSULTANTS

PSA Dewberry

STS | AECOM

IL PROJECT: PIA-3812  
AIP PROJECT: 3-17-0080-46

REVISIONS

NO.	DESCRIPTION	DATE

DATE ISSUED: 06/27/08  
REVIEWED BY: PCB  
DRAWN BY: MJL  
DESIGNED BY: NDO

AEP PROJECT NUMBER  
213-6945-000

© 2008 REYNOLDS, SMITH AND HILLS INC.

SHEET TITLE

**DRAINAGE  
DETAILS**

SHEET NUMBER

**22 OF 43**

**ISSUED FOR  
BID DOCUMENTS**