

REVISIONS

NO.	DESCRIPTION	DATE

DATE ISSUED: 06/27/08

REVIEWED BY: PJB

DRAWN BY: JFC

DESIGNED BY: NDO

AEP PROJECT NUMBER

213-6945-000

© 2008 REYNOLDS, SMITH AND HILLS INC.

SHEET TITLE

**ELEVATED
EDGE LIGHT
AND CABLE
SPlicing
DETAILS**

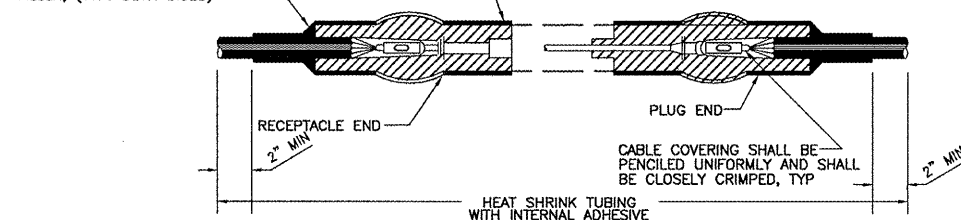
SHEET NUMBER

28 OF 43

**ISSUED FOR
BID DOCUMENTS**

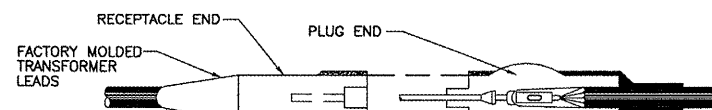
ALL CONNECTIONS SHALL HAVE ONE LAYER, HALF-LAPPED RUBBER OR SYNTHETIC RUBBER INSULATING TAPE COVERED WITH TWO LAYERS OF HALF-LAPPED PLASTIC TAPE TO A DISTANCE OF 1-1/2" FROM JOINT.

ADDITIONAL ADHESIVE COMPOUND FILLER, (TYP. BOTH SIDES)

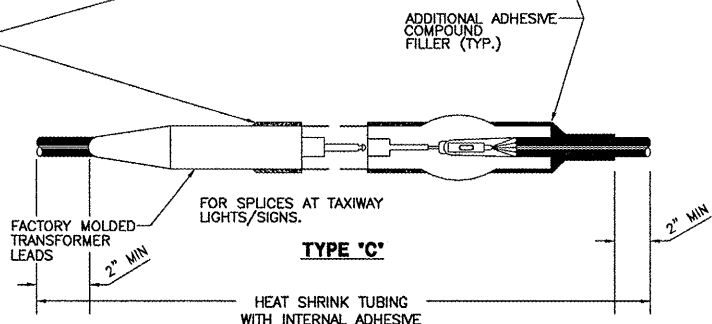


FOR SPLICES AT JUNCTION OF HOMERUN WITH LOOP CIRCUIT. ALL CRIMPING SHALL BE DONE WITH APPROVED TOOL WHICH SHALL NOT RELEASE UNTIL PROPER PRESSURE IS APPLIED.

TYPE 'B'



ALL CONNECTIONS SHALL HAVE ONE LAYER, HALF-LAPPED RUBBER OR SYNTHETIC RUBBER INSULATING TAPE COVERED WITH TWO LAYERS OF HALF-LAPPED PLASTIC TAPE TO A DISTANCE OF 1-1/2" FROM JOINT.

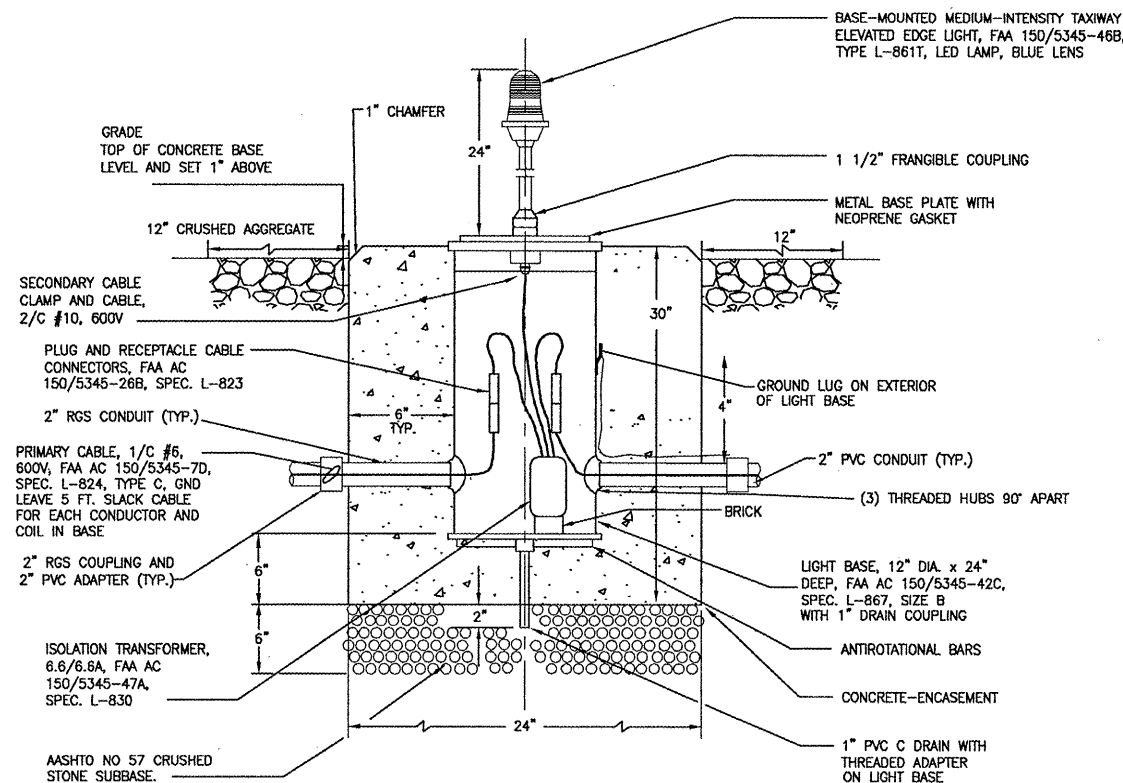


NOTES:

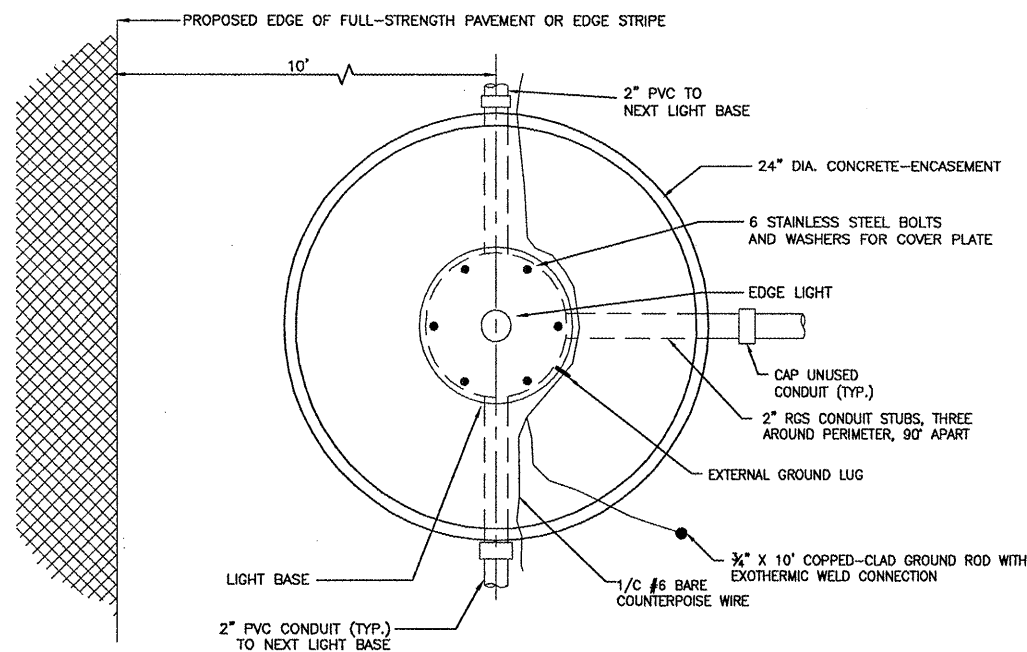
1. INSIDE DIAMETER OF CONNECTOR KITS SHALL PROPERLY MATCH THE OUTSIDE DIAMETER OF CABLE.
2. ALL CABLES SHALL BE CLEANED OF ALL OILS, GREASE, DIRT OR OTHER MATERIALS WHICH COULD CONTAMINATE OR ADVERSELY AFFECT THE SPLICE.
3. NO CAST SPLICES TO BE USED ON THIS PROJECT WITHOUT WRITTEN AUTHORIZATION OF PROJECT ENGINEER.
4. NO SEPARATE PAYMENT FOR SPLICES OR CONNECTORS, COST TO BE INCLUDED IN PRICE FOR CABLE.
5. ALL SPLICES SHALL BE PLACED IN JUNCTION CANS AND HANDHOLES.

CABLE SPLICES - TYPE 'B' & 'C'

NTS



ELEVATION



PLAN

TAXIWAY ELEVATED EDGE LIGHT AND BASE IN UNPAVED AREAS

NTS