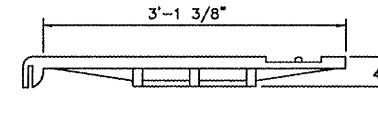
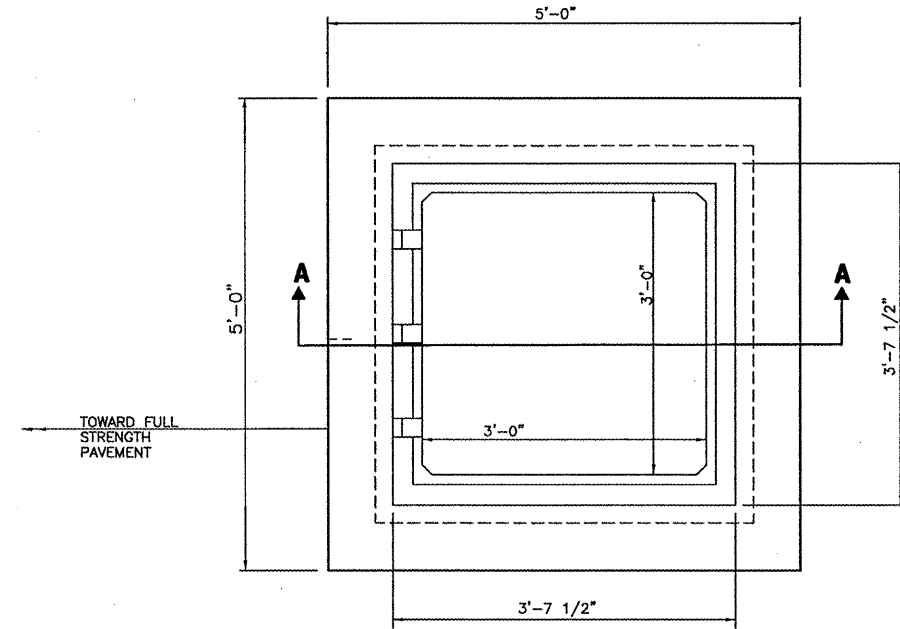


SECTION A-A

NTS



SECTION B-B

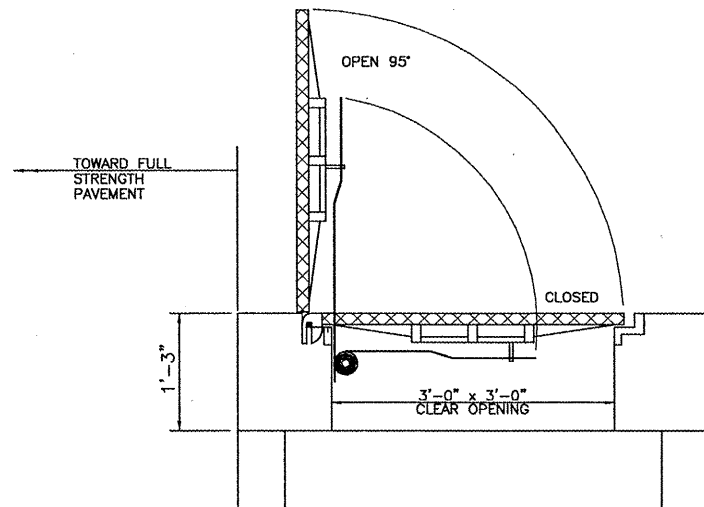


PLAN VIEW

FRAME AND HATCH COVER DETAIL

NTS

AIRCRAFT RATED
SPRING ACTUATED

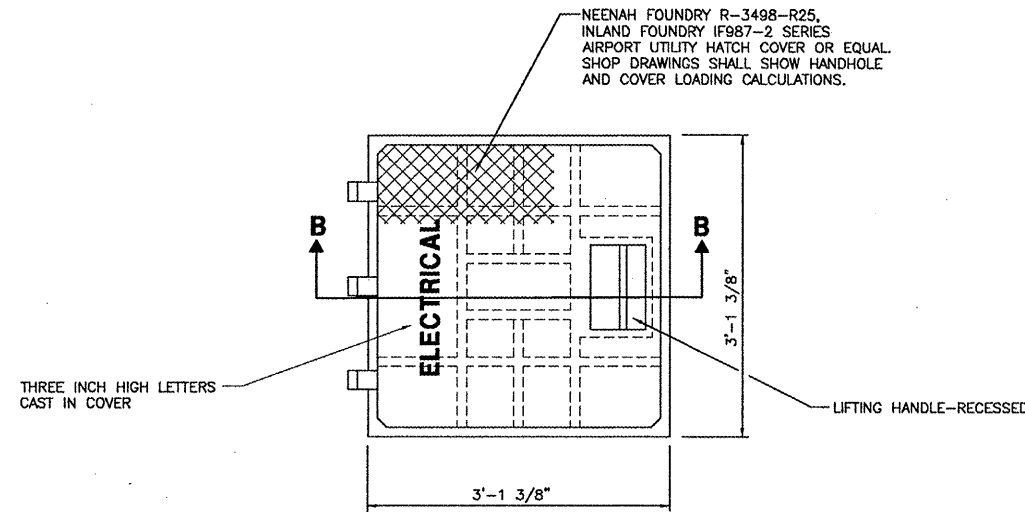


SPRING LIFT ASSEMBLY

NTS

NOTES:

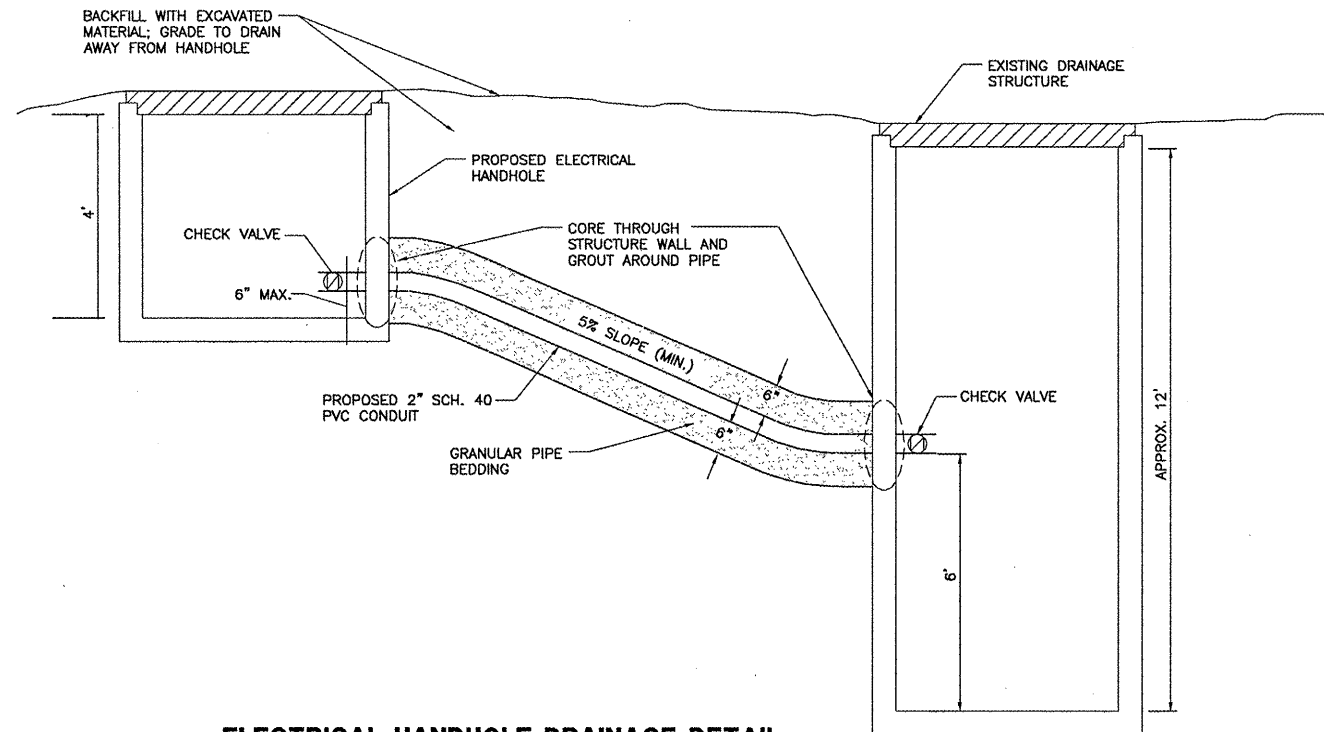
1. HOLD OPEN BAR AND HOLD DOWN BOLTS ARE REQUIRED.
2. COVER AND SPRING SHALL BE CAPABLE OF REMOVAL.
3. MANHOLE COVER MUST BE SUITABLE FOR SPRING HARDWARE SUPPLIED.
4. BOND COUNTERPOISE SYSTEM TO COVER.
5. ALL METAL COMPONENTS TO BE HOT DIPPED GALVANIZED AND SPOT-PAINTED IN FIELD AFTER INSTALLATION.



PLAN VIEW

HATCH COVER DETAIL

NTS



ELECTRICAL HANDHOLE DRAINAGE DETAIL

NTS

PE087

RS&H
IMPROVING YOUR WORLD®

850 East Diehl Road
Suite 120
Naperville, Illinois 60563
630-505-1991 FAX 630-505-1977
www.reandh.com

GREATER
Peoria
REGIONAL
Airport
PEORIA, ILLINOIS

TERMINAL
APRON
EXPANSION

SUBCONSULTANTS

PSA Dewberry

STS AECOM

IL PROJECT: PIA-3812
AIP PROJECT: 3-17-0080-46

REVISIONS

NO.	DESCRIPTION	DATE

DATE ISSUED: 06/27/08

REVIEWED BY: PCB

DRAWN BY: RS

DESIGNED BY: NDO

AEP PROJECT NUMBER

213-6945-000

© 2008 REYNOLDS, SMITH AND HILLS INC.

SHEET TITLE

**HANDHOLE
DETAILS
(SHEET 2 OF 2)**

SHEET NUMBER

30 OF 43

ISSUED FOR
BID DOCUMENTS