

REVISIONS

| NO. | DESCRIPTION | DATE |
|-----|-------------|------|
|     |             |      |
|     |             |      |
|     |             |      |
|     |             |      |
|     |             |      |
|     |             |      |
|     |             |      |
|     |             |      |
|     |             |      |
|     |             |      |
|     |             |      |
|     |             |      |
|     |             |      |
|     |             |      |
|     |             |      |
|     |             |      |

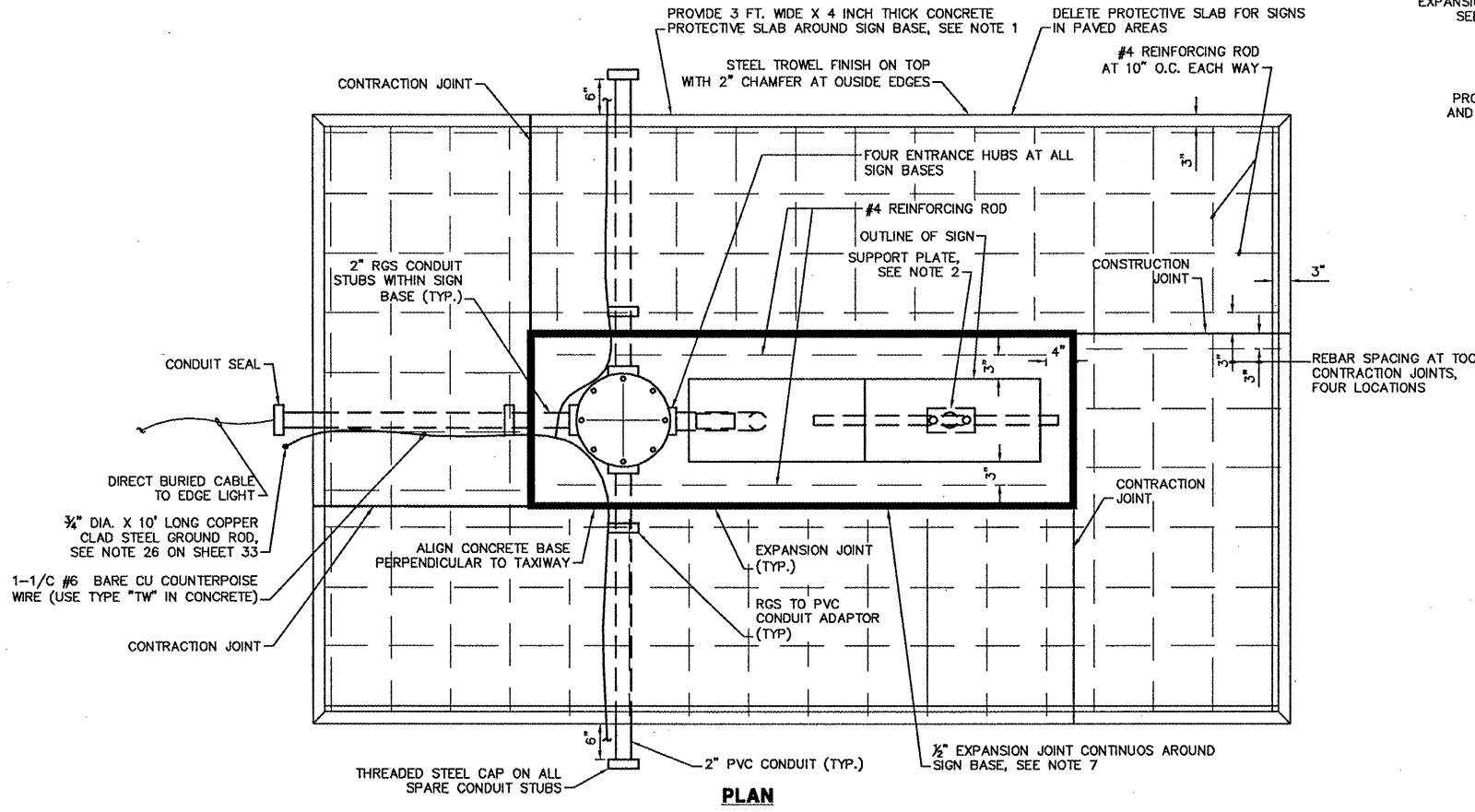
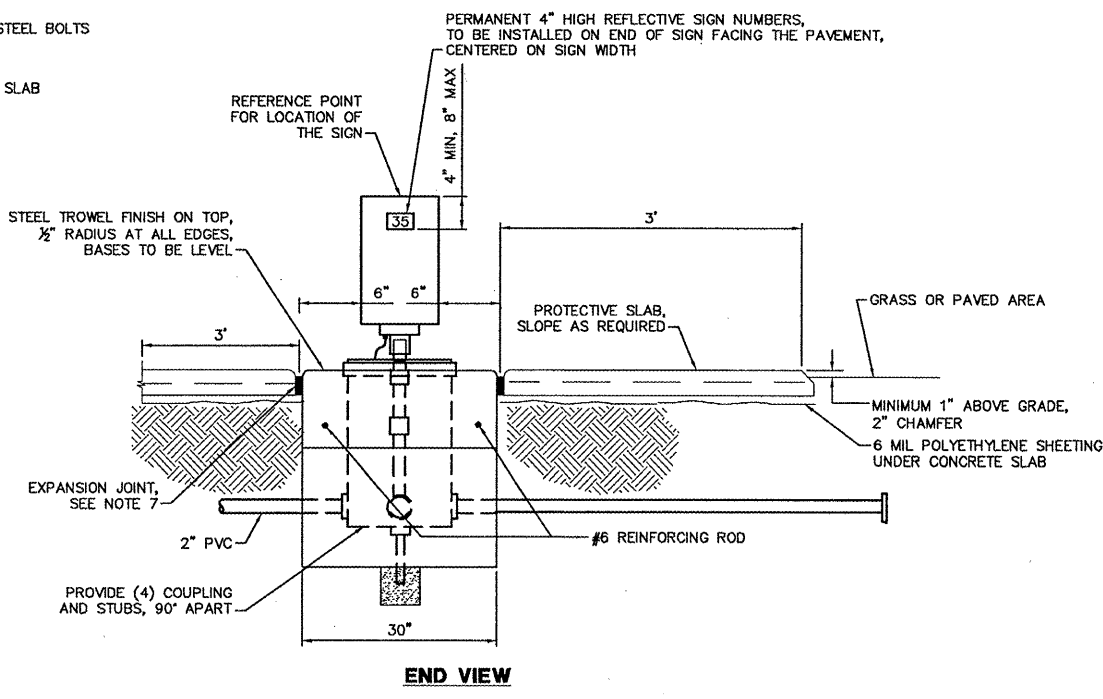
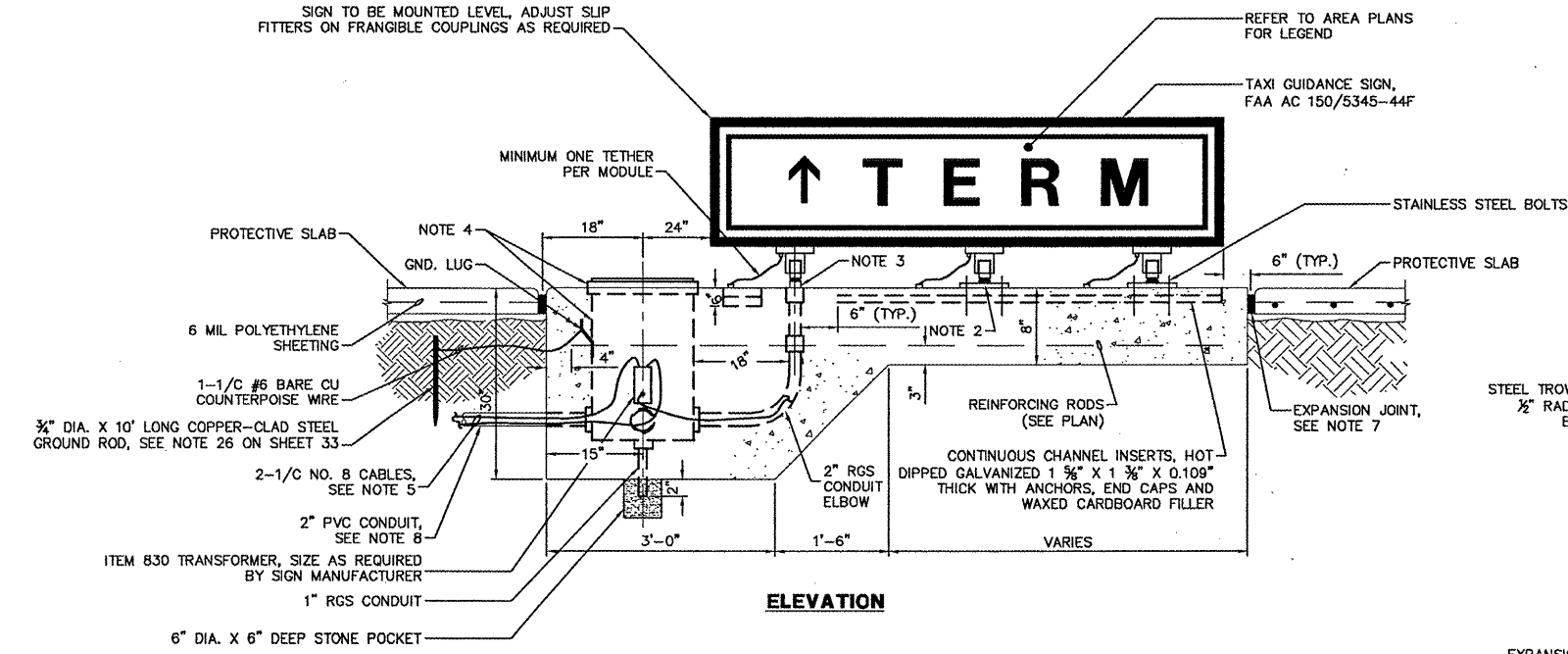
ADDENDUM 1 5/21/08  
 DATE ISSUED: 06/27/08  
 REVIEWED BY: PCB  
 DRAWN BY: JFC  
 DESIGNED BY: NDO

AEP PROJECT NUMBER  
**213-6945-000**  
 © 2008 REYNOLDS, SMITH AND HILLS INC.

SHEET TITLE  
**GUIDANCE  
 SIGNAGE  
 DETAILS**

SHEET NUMBER  
**32 OF 43**

ISSUED FOR  
**BID DOCUMENTS**



- NOTES:
- ELEVATION OF SIGN BASE TO BE 1.5" ABOVE EXISTING GRADE. BASE TO BE LEVEL. PROVIDE 4" THICK CONCRETE PROTECTIVE SLAB AROUND SIGN BASE AND SLOPE DOWN AS REQUIRED TO BE MAXIMUM 1" ABOVE EXISTING GRADE.
  - RECTANGULAR SUPPORT PLATE WITH SLOTTED BOLT HOLES AND 2" PIPE COUPLING FOR FRANGIBLE SUPPORT OF SIGN WITHOUT CABLE ENTRANCE.
  - FRANGIBLE COUPLING FOR CABLE ENTRANCE AT SIGN. INSTALL CLAMP ON LOWER CABLE AT JUNCTION OF FRANGIBLE COUPLING AND 2" PIPE COUPLING. SET TOP OF PIPE COUPLING 3/4" ABOVE FINISHED CONCRETE.
  - 3/4" THICK STEEL COVER PLATE WITH NEOPRENE GASKET AND TRANSFORMER HOUSING FOR TAXI GUIDANCE SIGN AC 150/5345-42C, CLASS 1, TYPE FAA L-867, SIZE D, 16" DIAMETER BY 24" DEEP WITH 1" DRAIN COUPLING. PROVIDE 4 - 2" THREADED CONDUIT HUBS.
  - 1/C #8, 5 KV CABLE SHALL BE AC 150/5345-7, L-824, TYPE C CONNECTED TO TRANSFORMER WITH PLUG AND RECEPTACLE CONNECTORS AC 150/5345-26B, L-823.
  - TAXI GUIDANCE SIGN SHALL BE AC 150/5345-44, TYPE L-858-L (YELLOW LEGEND ON BLACK BACKGROUND), L-858-Y (BLACK LEGEND ON A YELLOW BACKGROUND) OR TYPE L-858R (WHITE LEGEND ON RED BACKGROUND), SIZE 3, 30" SIGN FACE, 18" LEGEND, STYLE 2. SIGN SHALL HAVE MINIMUM POWER FACTOR OF 0.85.
  - PROVIDE 1/2" PREMOLDED EXPANSION JOINT MATERIAL CONTINUOUS AROUND SIGN BASE. PROVIDE POURED SEALER FOR TOP 1" SPACE.
  - EXTEND 2" PVC CONDUIT 6" PAST PROTECTIVE SLAB. FOR ADDITIONAL NOTES, REFER TO SHEET 33.
  - FOR LEGEND, ABBREVIATIONS AND GENERAL NOTES, SEE NOTES, SEE SHEET 26.

**TAXI GUIDANCE SIGN DETAILS**  
NOT TO SCALE