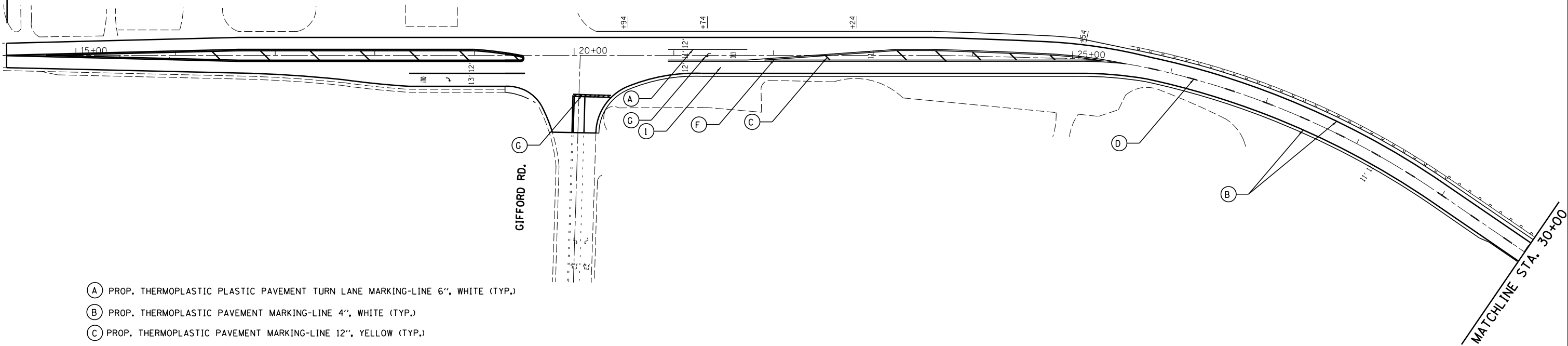


IMPROVEMENT BEGINS
STA. 14+31

BLUFF CITY BLVD

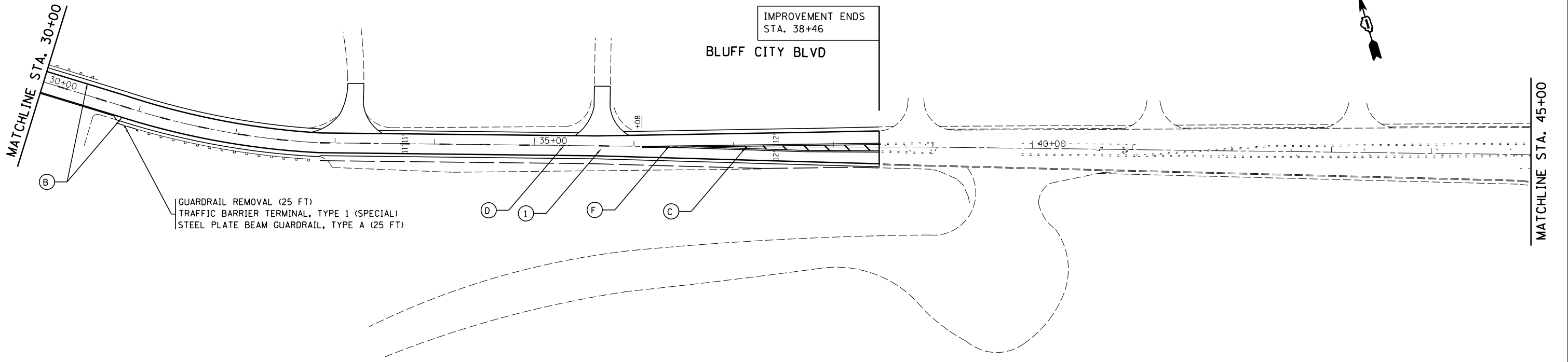


- (A) PROP. THERMOPLASTIC PLASTIC PAVEMENT TURN LANE MARKING-LINE 6", WHITE (TYP.)
- (B) PROP. THERMOPLASTIC PAVEMENT MARKING-LINE 4", WHITE (TYP.)
- (C) PROP. THERMOPLASTIC PAVEMENT MARKING-LINE 12", YELLOW (TYP.)
- (D) PROP. THERMOPLASTIC PAVEMENT MARKING-LINE 4", 10' DASH-30' SKIP, YELLOW (TYP.)
- (E) PROP. THERMOPLASTIC PAVEMENT MARKING LETTERS AND SYMBOLS, WHITE (TYP.)
- (F) PROP. THERMOPLASTIC PAVEMENT MARKING DOUBLE LINES 4" @ 11" C-C, YELLOW (TYP.)
- (G) PROP. THERMOPLASTIC PAVEMENT STOP MARKING-LINE 24", WHITE (TYP.)

- (I) PROP. HOT-MIX ASPHALT SURFACE REMOVAL, 2"
PROP. POLYMERIZED HMA SURFACE COURSE, MIX "F", N90, 1 3/4"
PROP. POLYMERIZED LEVELING BINDER (MM), IL-4.75, N50, 1"

IMPROVEMENT ENDS
STA. 38+46

BLUFF CITY BLVD



GUARDRAIL REMOVAL (25 FT)
TRAFFIC BARRIER TERMINAL, TYPE 1 (SPECIAL)
STEEL PLATE BEAM GUARDRAIL, TYPE A (25 FT)

FILE NAME = c:\pwwork\pwwork\qureshiya\0282153\10108811-sht-plan.dgn	USER NAME = qureshiya	DESIGNED -	REVISED -	STATE OF ILLINOIS DEPARTMENT OF TRANSPORTATION	PROPOSED ROADWAY & PAVEMENT MARKING PLAN BLUFF CITY BLVD. (U.S. 20 - GIFFORD RD.)				F.A.P. RTE.	SECTION	COUNTY	TOTAL SHEETS	SHEET NO.
	PLOT SCALE = 100.0000' / 1" =	CHECKED -	REVISED -						345	2010-101-RS	COOK	16	6
PLOT DATE = 5/17/2014	DATE -	REVISED -	REVISED -		SCALE: 1"=50'	SHEET NO.	OF SHEETS	STA.	TO STA.	CONTRACT NO. 60M21			
										ILLINOIS FED. AID PROJECT			