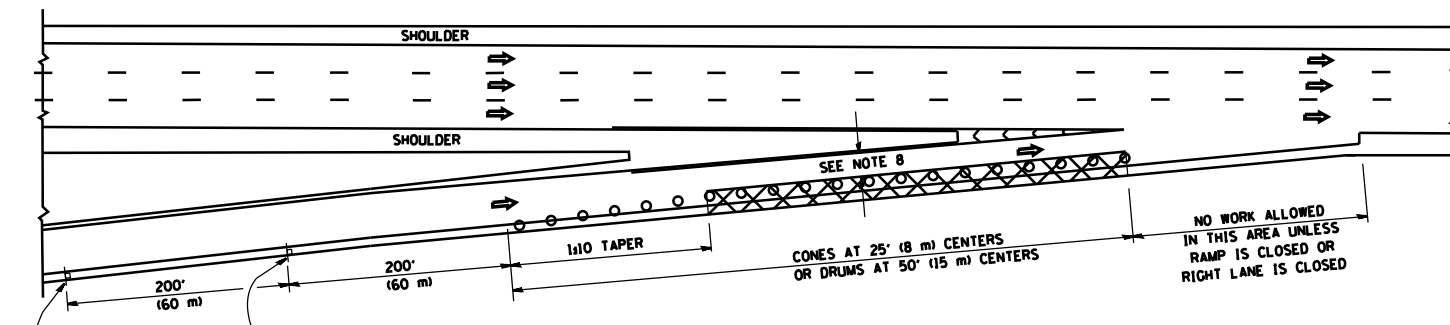
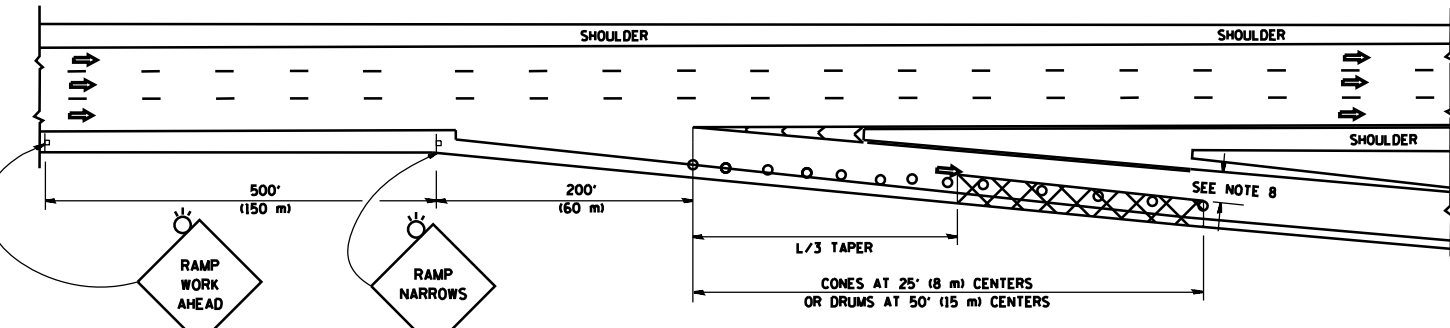


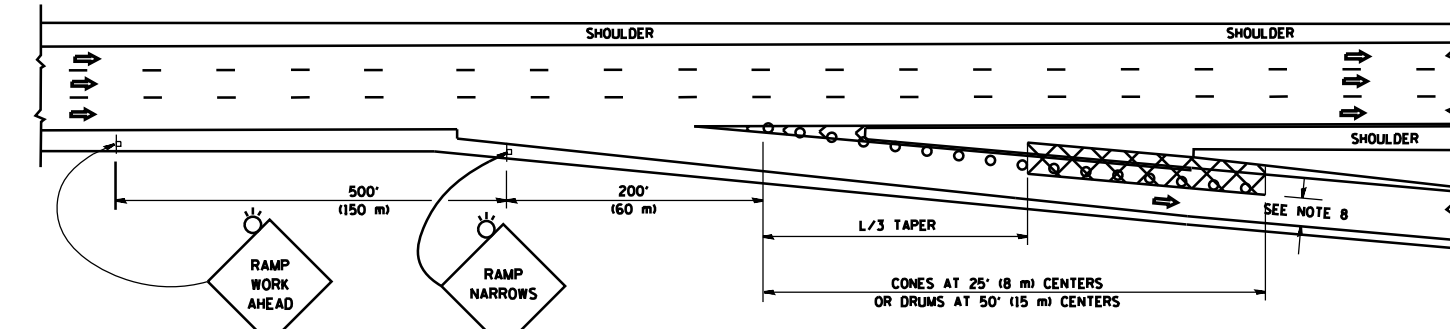
**PARTIAL RAMP CLOSURE DETAILS**



**TYPICAL ENTRANCE RAMP**



**TYPICAL EXIT RAMP**



**TYPICAL EXIT RAMP**

**SYMBOLS**

- ACTIVE WORK AREA
- SIGN ON PORTABLE OR PERMANENT SUPPORT
- FLAGGER WITH CONTROL SIGN
- TYPE II BARRICADE OR DRUM WITH STEADY BURN MONO-DIRECTIONAL LIGHT
- CONE, DRUM OR BARRICADE
- IMPACT ATTENUATOR OF TYPE AND TEST LEVEL SPECIFIED

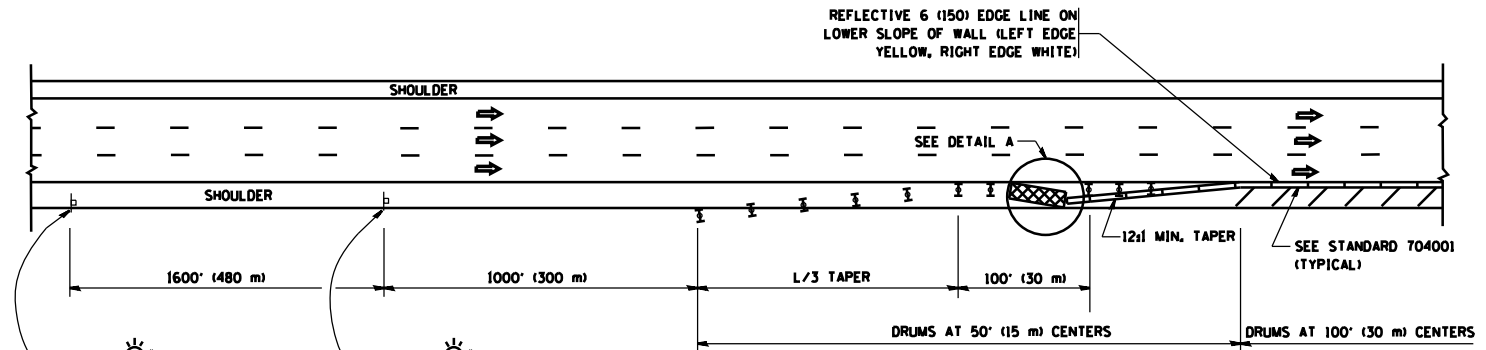
**GENERAL NOTES**

1. THE "L" DISTANCE EQUALS:
 

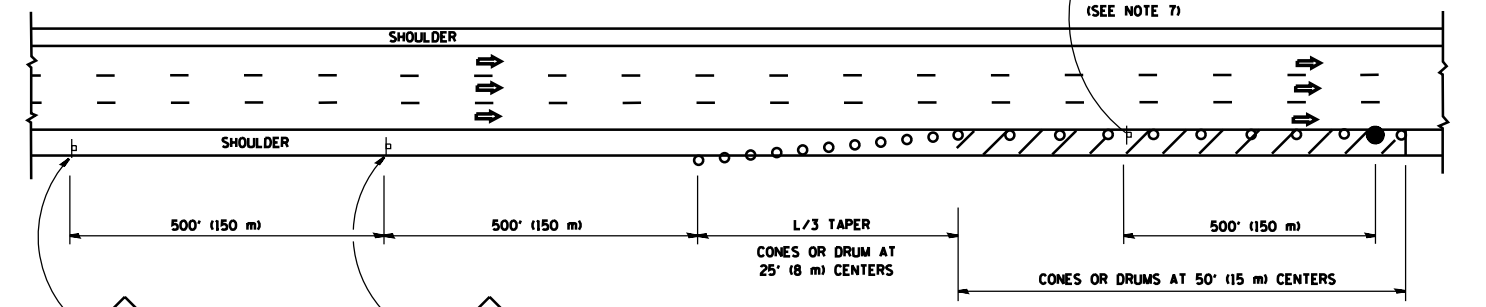
SPEED LIMIT	FORMULAS
45 mph (80 km/h) OR GREATER:	METRIC    ENGLISH
	$L = 0.65(WNS)$ $L = (WNS)$

W = WIDTH OF OFFSET IN FEET (METERS)  
S = NORMAL POSTED SPEED MPH (KM/H)
2. PLASTIC DRUMS WITH HIGH PERFORMANCE REFLECTIVE SHEETING AND STEADY BURNING LIGHTS ARE REQUIRED FOR ALL NIGHTTIME CLOSURES.
3. ALL SIGNS SHALL BE POST MOUNTED IF THE CLOSURE TIME EXCEEDS FOUR DAYS.
4. FLASHING LIGHTS SHALL BE USED DURING THE HOURS OF DARKNESS AND SHALL BE INSTALLED ABOVE THE FIRST TWO SETS OF SIGNS.

**SHOULDER CLOSURE DETAILS**

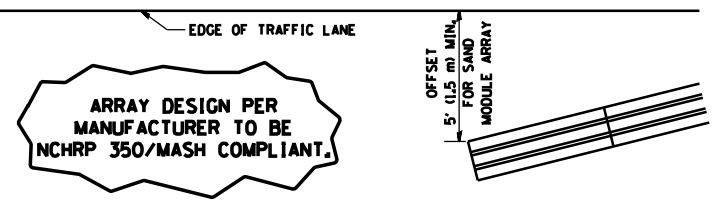


**PERMANENT SHOULDER CLOSURE**



**DAYTIME SHOULDER CLOSURE**

THIS DETAIL IS USED WHERE:  
1. VEHICLES, EQUIPMENT, WORKERS OR THEIR ACTIVITIES ENCRUCH IN AN AREA CLOSER THAN 15' (4.5 m) TO THE EDGE OF PAVEMENT FOR A PERIOD IN EXCESS OF 15 MINUTES.



**DETAIL "A" IMPACT ATTENUATOR, TEMPORARY (SEE NOTE 5)**

5. THE IMPACT ATTENUATOR, TEMPORARY IS NOT REQUIRED WHEN THE TEMPORARY CONCRETE BARRIER WALL IS PROTECTED BY OR IS TIED INTO THE EXISTING GUARDRAIL. IF OFFSET IS LESS THAN 5 FEET USE NARROW USE TYPE DEVICE TO MEET NCHRP350/MASH.
6. AUTHORIZATION FROM THE DISTRICT'S BUREAU OF TRAFFIC IS REQUIRED FOR ALL FREEWAY CLOSURES.
7. THE FLAGGER AND FLAGGER SIGN ARE REQUIRED AT THE ABOVE WORK SITES WHEN:
  - a. FOUR OR MORE WORK VEHICLES ENTER THE TRAFFIC LANES IN A ONE HOUR PERIOD.
  - b. THE WORK ACTIVITY REQUIRES FREQUENT ENCRUCHMENT INTO THE LANE OPEN TO TRAFFIC.
 THE FLAGGER SHALL BE STATIONED APPROXIMATELY 100' (30 m) TO 200' (60 m) IN ADVANCE OF THE WORKERS.
8. 12' MIN. WIDTH TANGENT SECTION  
16' MIN. WIDTH CURVE SECTION.

ALL DIMENSIONS ARE IN INCHES (MILLIMETERS) UNLESS OTHERWISE SHOWN.

FILE NAME =	USER NAME = bauerdl	DESIGNED -	REVISED - J.A.F. 12-06	<b>STATE OF ILLINOIS DEPARTMENT OF TRANSPORTATION</b>	TRAFFIC CONTROL DETAILS FOR FREEWAY SHOULDER CLOSURES AND PARTIAL RAMP CLOSURES			F.A.I. RTE.	SECTION	COUNTY	TOTAL SHEETS	SHEET NO.
et:\pw_work\p\dot\bauerdl\d0274245\DistStd.dgn		DRAWN - D.W.S.	REVISED - S.P.B. 01-07		290	2010-102-R5	COOK	23	20			
PLOT SCALE = 100.0000' / 1in.		CHECKED -	REVISED - S.P.B. 12-09		TC-17			CONTRACT NO. 60M25				
PLOT DATE = 5/28/2014		DATE - 11-96	REVISED - M.D. 06-13		SCALE: NONE	SHEET NO. 1 OF 1 SHEETS	STA. TO STA.	FED. ROAD DIST. NO. 1 ILLINOIS FED. AID PROJECT				