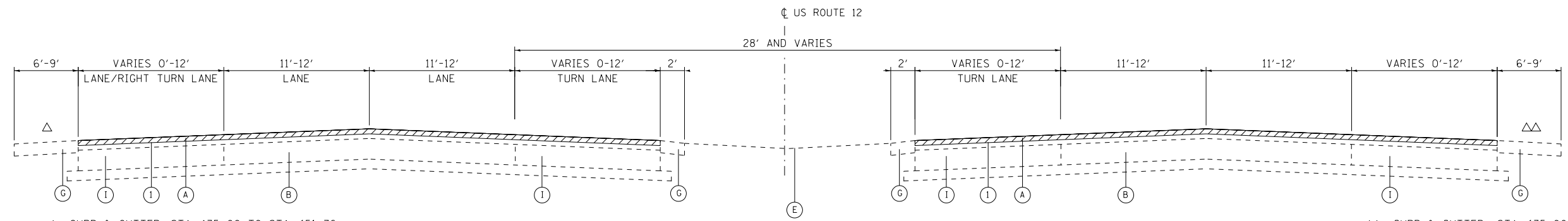


EXISTING TYPICAL SECTION

STA. 129+48 TO STA. 135+00
 STA. 199+45 TO STA. 202+42
 STA. 205+09 TO STA. 208+00
 STA. 297+83 TO STA. 318+49
 STA. 328+02 TO STA. 349+55

△ AGGREGATE SHLDR STA. 199+45 TO STA. 202+42

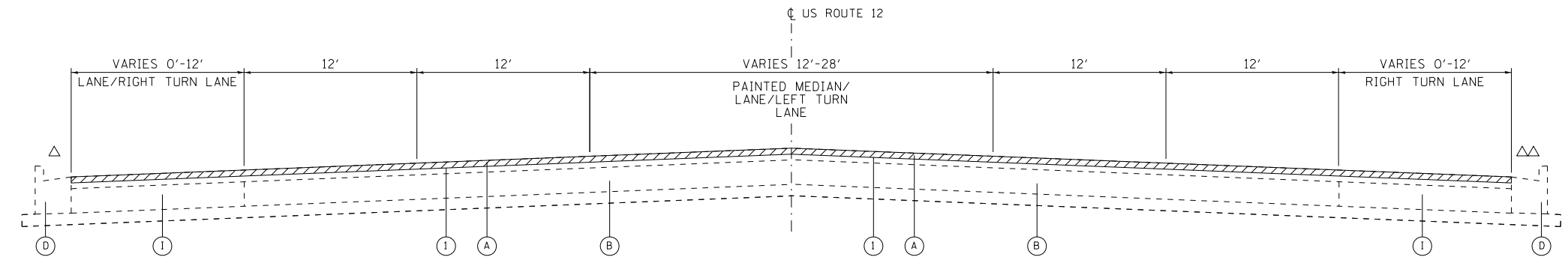


EXISTING TYPICAL SECTION

STA. 135+00 TO STA. 199+45
 STA. 202+42 TO STA. 205+09
 STA. 208+00 TO STA. 250+00

△ CURB & GUTTER STA. 135+00 TO STA. 151+76
 STA. 167+80 TO STA. 171+27
 STA. 204+05 TO STA. 205+09

△△ CURB & GUTTER STA. 135+00 TO STA. 152+21
 STA. 167+21 TO STA. 177+50
 STA. 215+17 TO STA. 217+80
 STA. 249+40 TO STA. 250+00



EXISTING TYPICAL SECTION

STA. 250+00 TO STA. 297+83
 STA. 318+49 TO STA. 328+02

△ AGGREGATE SHLDR STA. 250+00 TO STA. 267+50

△△ AGGREGATE SHLDR STA. 250+00 TO STA. 259+03

EXISTING CONDITIONS

- (A) EXISTING HOT-MIX ASPHALT PAVEMENT, ±4"
- (B) PORTLAND CEMENT CONCRETE PAVEMENT, ±10"
- (C) COMBINATION CONCRETE CURB AND GUTTER, TYP.E B-6.12
- (D) COMBINATION CONCRETE CURB AND GUTTER, TYP.E B-6.24
- (E) BARRIER CONCRETE MEDIAN/GRASS MEDIAN
- (F) HMA SHOULDERS
- (G) AGGREGATE SHOULDERS
- (H) AGGREGATE SUBGRADE
- (I) HOT-MIX ASPHALT BASE COURSE, ±10"

PROPOSED IMPROVEMENTS

- (1) HOT-MIX ASPHALT SURFACE REMOVAL; 2 1/2"
- (2) POLYMERIZED HOT-MIX ASPHALT SURFACE COURSE, MIX "F", N90; 1 3/4"
- (3) POLYMERIZED LEVELING BINDER (MACHINE METHOD), IL-4.75, N50; 3/4" (MIN)
- (4) COMBINATION CONCRETE CURB AND GUTTER REMOVAL AND REPLACEMENT (AT LOCATIONS AS DETERMINED BY THE ENGINEER)
- (5) AGGREGATE WEDGE SHOULDER, TYPE B (TAPER 3" TO 1" THICKNESS) - SEE SAFETY EDGE DETAIL
- (6) EXISTING HOT-MIX ASPHALT SURFACE AFTER PROPOSED SURFACE REMOVAL
- (7) OMITTED
- (8) OMITTED
- (9) HOT-MIX ASPHALT SHOULDERS, 8"
- (10) SUBBASE GRANULAR MATERIAL, TYPE B 6"
- (11) SHOULDER RUMBLE STRIPS, 8"
- (12) TOPSOIL FURNISH AND PLACE, 4"
- (13) SEEDING, CLASS 2A

COMPANY NAME: HRGreen
 PROJECT CONTACT: HRGreen.com
 DATE PLOTTED: 5/23/2014 11:59:46 AM
 FILE NAME: 4610019610-tp-01.dgn
 PLOT DRIVER: pdfcut
 PEN TABLE: standard-trans.tbl

HRGreen.com
 Illinois Professional Design Firm
 #184-001322

USER NAME = dstencz	DESIGNED - J. ATTANASEO	REVISED -
	DRAWN - J. ATTANASEO	REVISED -
PLOT SCALE = N.T.S.	CHECKED - T. HAMILTON	REVISED -
PLOT DATE = 5/23/2014	DATE - 5/23/14	REVISED -

STATE OF ILLINOIS
DEPARTMENT OF TRANSPORTATION

EXISTING TYPICAL SECTIONS
US ROUTE 12 (ELA RD. TO LAKE COOK RD.)

SCALE: N.T.S. SHEET NO. 1 OF 2 SHEETS STA. TO STA.

F.A.P. RTE.	SECTION	COUNTY	TOTAL SHEETS	SHEET NO.
334	SY-3-RS-4	LAKE	104	9
FED. ROAD DIST. NO.			CONTRACT NO. 60N26	
ILLINOIS FED. AID PROJECT				