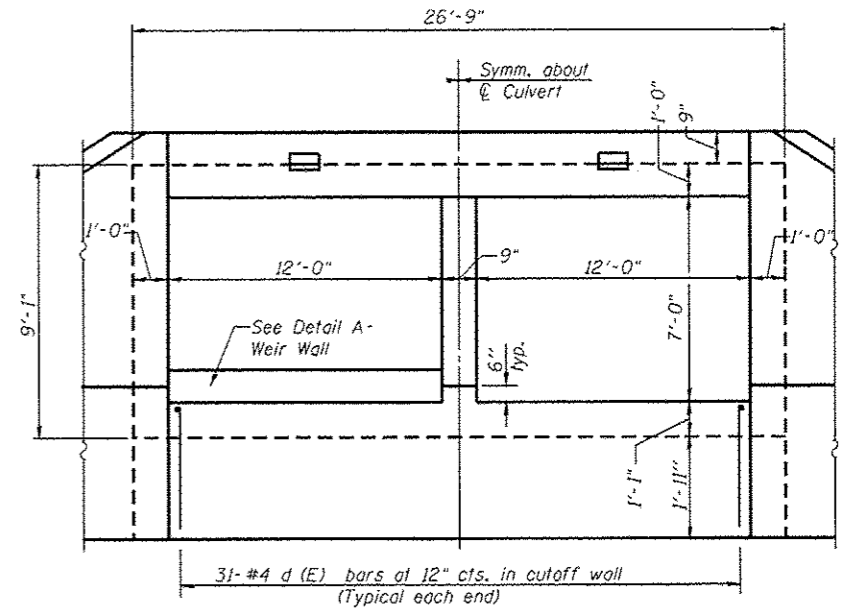
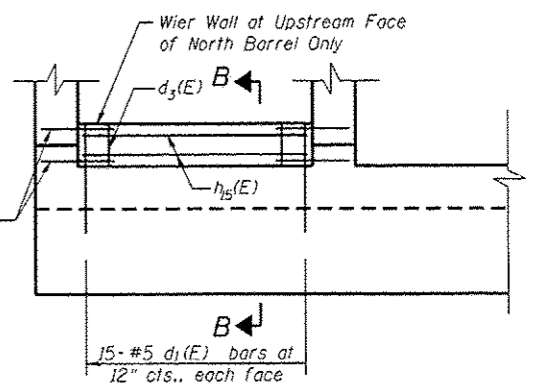


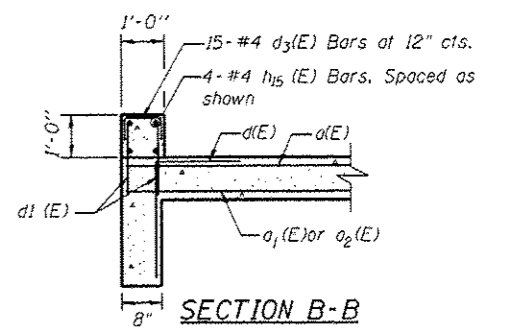
SECTION
Showing Bars in Center Wall



END ELEVATION



DETAIL A - WEIR WALL



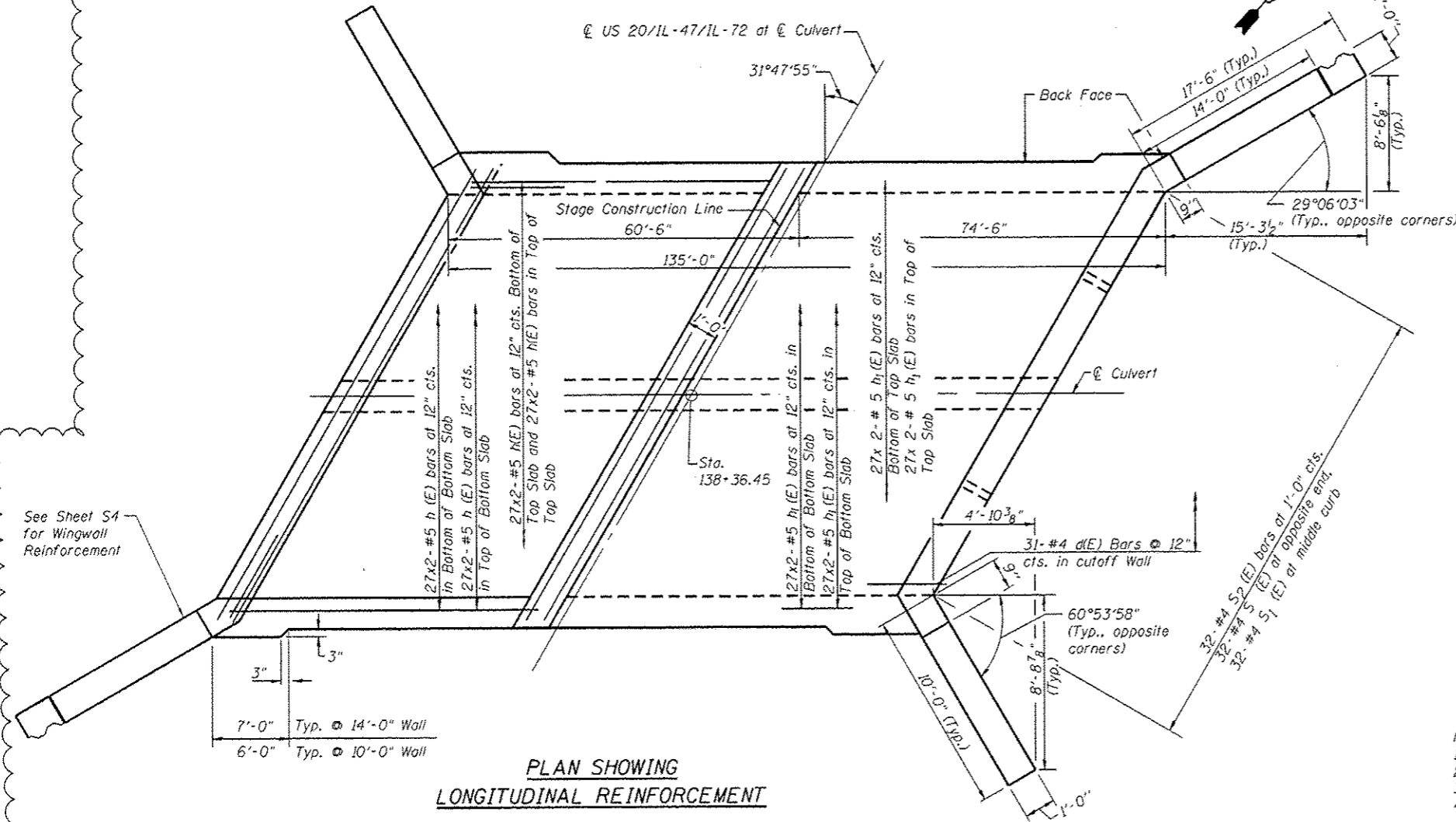
SECTION B-B

MINIMUM BAR LAPS

- (Slabs)
- #4 Bar = 2'-7"
- #5 Bar = 3'-3"
- #6 Bar = 3'-10"
- #7 Bar = 5'-2"

ADDENDUM 1 7-18-14

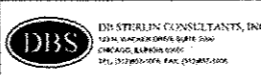
- Notes:
1. See Sheet S2 for Total Bill of Materials
 2. See Sheet S2 for General Notes
 3. Work this Sheet with Sheet S4
 4. See Sheet S6 for Bill of Material



PLAN SHOWING LONGITUDINAL REINFORCEMENT

PLOT DATE = \$DATE\$
FILE NAME = \$FILE\$

USER NAME *	DESIGNED - MBC	REVISED -
PLOT SCALE *	DRAWN - SSR	REVISED -
PLOT DATE *	CHECKED - WPK	REVISED -
FILE NAME *	DATE - 7/7/14	REVISED -



STATE OF ILLINOIS
DEPARTMENT OF TRANSPORTATION

CULVERT PLAN, TOP SLAB, BOTTOM SLAB, ELEVATIONS AND DETAILS
STRUCTURE NO. 045-2040

SHEET NO. S5 OF 59 SHEETS

F.A.P. RTE.	SECTION	COUNTY	TOTAL SHEETS	SHEET NO.
345	106-S-N-1	KANE	167	108
CONTRACT NO. 60T10				
FED. ROAD DIST. NO. 1 ILLINOIS FED. AID PROJECT				