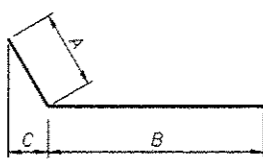
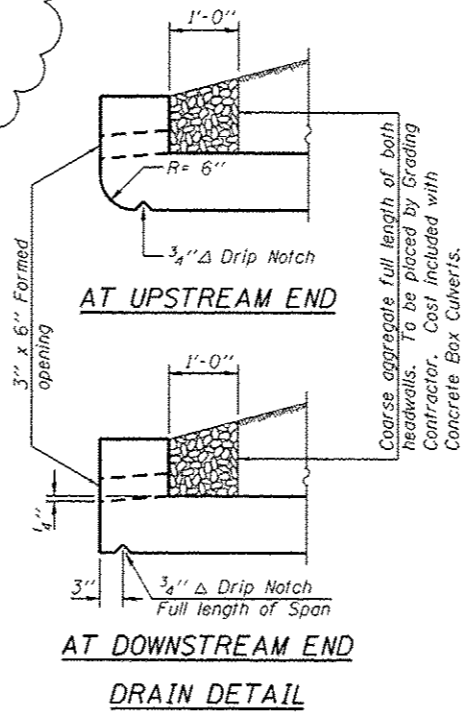
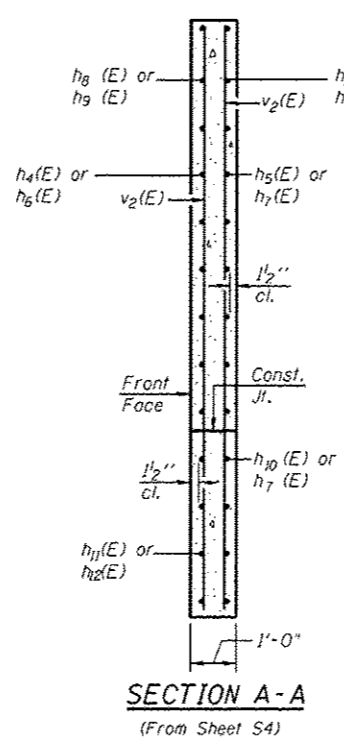


**PHOEBE NESTING SITE**  
(Near downstream end)



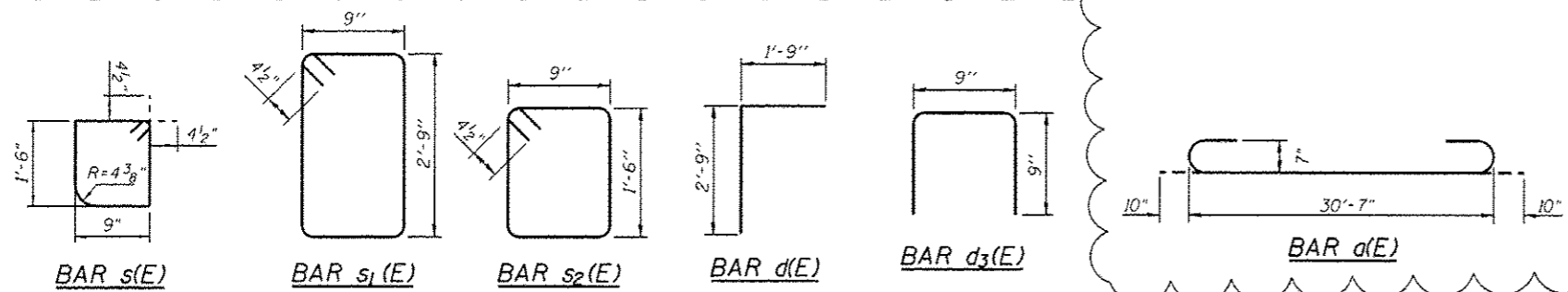
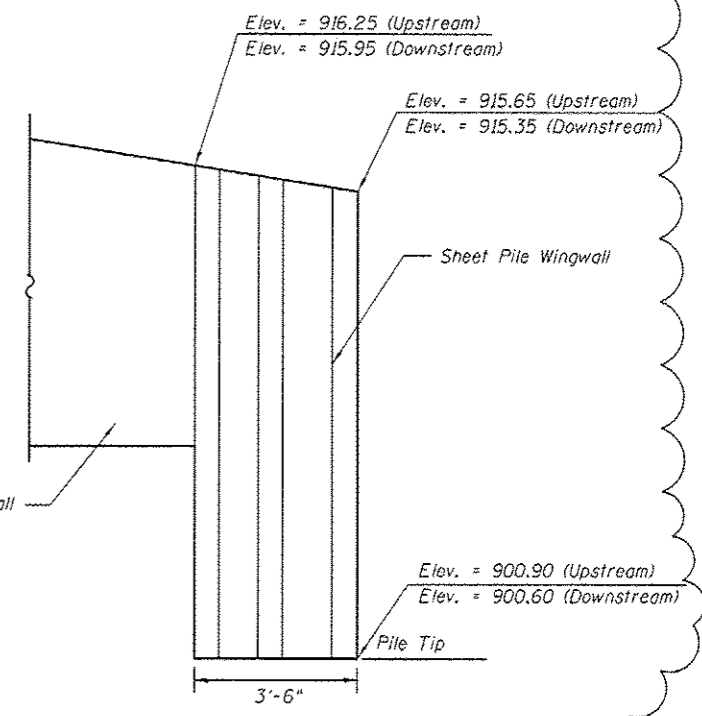
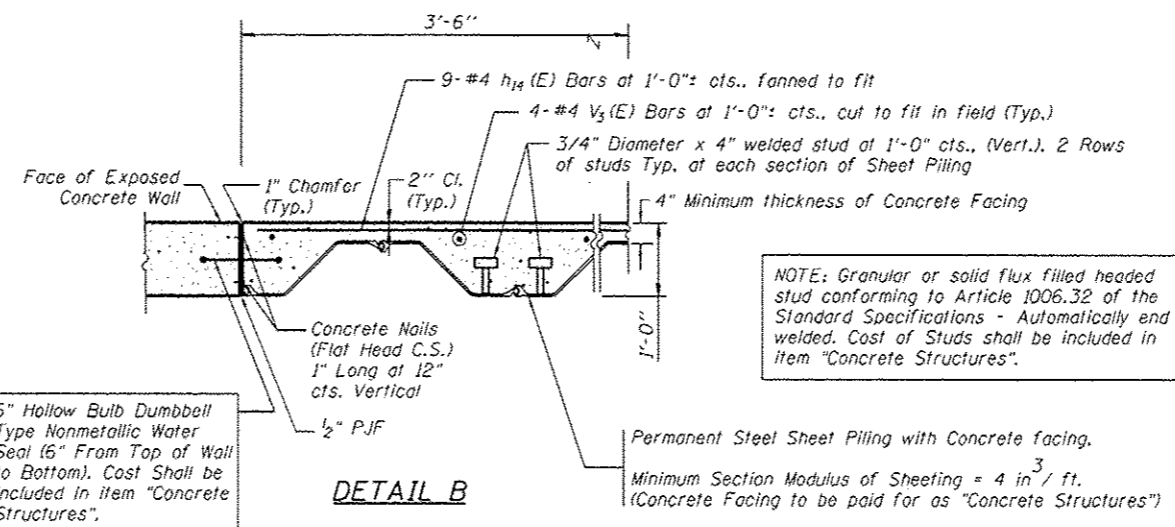
**BARS h4(E) Thru h7(E) & h10(E) Thru h13(E)**

Bar	A	B	C
h4(E)	3'-0"	5'-0"	1'-5 1/2"
h5(E)	3'-0"	14'-6"	2'-7 1/2"
h6(E)	3'-0"	5'-0"	2'-7 1/2"
h7(E)	3'-0"	10'-6"	1'-5 1/2"
h10(E)	3'-0"	14'-6"	2'-7 1/2"
h11(E)	3'-0"	14'-0"	2'-7 1/2"
h12(E)	3'-0"	10'-0"	1'-5 1/2"
h13(E)	3'-0"	10'-6"	1'-5 1/2"



**BILL OF MATERIAL**

Bar	No.	Size	Length	Shape	
a (E)	452	#7	32'-3"	U	
a1 (E)	224	#8	14'-1"	U	
a2 (E)	228	#8	30'-7"	U	
d (E)	62	#4	4'-6"	U	
d1 (E)	30	#5	2'-5"	U	
d2 (E)	8	#4	1'-6"	U	
d3 (E)	15	#4	2'-3"	U	
h (E)	276	#5	31'-9"	U	
h1 (E)	276	#5	38'-9"	U	
h2 (E)	10	#8	30'-1"	U	
h3 (E)	8	#8	30'-7"	U	
h4 (E)	32	#6	8'-0"	U	
h5 (E)	32	#7	17'-6"	U	
h6 (E)	32	#7	8'-0"	U	
h7 (E)	42	#7	13'-6"	U	
h8 (E)	24	#4	9'-9"	U	
h9 (E)	24	#4	13'-9"	U	
h10 (E)	16	#7	17'-6"	U	
h11 (E)	10	#7	17'-0"	U	
h12 (E)	10	#6	13'-0"	U	
h13 (E)	6	#6	13'-6"	U	
h14 (E)	18	#4	3'-2"	U	
h15 (E)	4	#4	13'-10"	U	
v (E)	546	#5	8'-8"	U	
v1 (E)	4	#5	8'-9"	U	
v2 (E)	104	#4	11'-6"	U	
v3 (E)	8	#4	8'-2"	U	
s (E)	32	#4	5'-3"	U	
s1 (E)	32	#4	7'-9"	U	
s2 (E)	32	#4	5'-3"	U	
Concrete Box Culverts				Cu. Yd.	377.9
Reinforcement Bars, Epoxy Coated				Pound	89,890
Bars Splicers				Each	138
Concrete Structures				Cu. Yd.	1.6
Permanent Steel Sheet Piling				Sq. Ft.	107

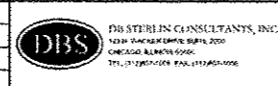


**ELEVATION - PERMANENT SHEET PILING**

NOTE: Contractor shall drive Sheet Pile Wall first, and then pour Concrete for Concrete Wingwall and Concrete Facing.

PLOT DATE = \$DATE\$  
FILE NAME = \$FILEL\$

USER NAME =	DESIGNED - MBC	REVISED - 6/12/14 BA
PLOT SCALE =	DRAWN - SSR	REVISED -
PLOT DATE =	CHECKED - WPK	REVISED -
FILE NAME =	DATE - 7/7/14	REVISED -



**STATE OF ILLINOIS  
DEPARTMENT OF TRANSPORTATION**

**CULVERT SECTIONS AND DETAILS  
STRUCTURE NO. 045-2040  
SHEET NO. S6 OF S9 SHEETS**

F.A.P. R.T.E.	SECTION	COUNTY	TOTAL SHEETS	SHEET NO.
345	106-S-N-1	KANE	167	109
CONTRACT NO. 60T10				
FED. ROAD DIST. NO. 1 ILLINOIS FED. AID PROJECT				