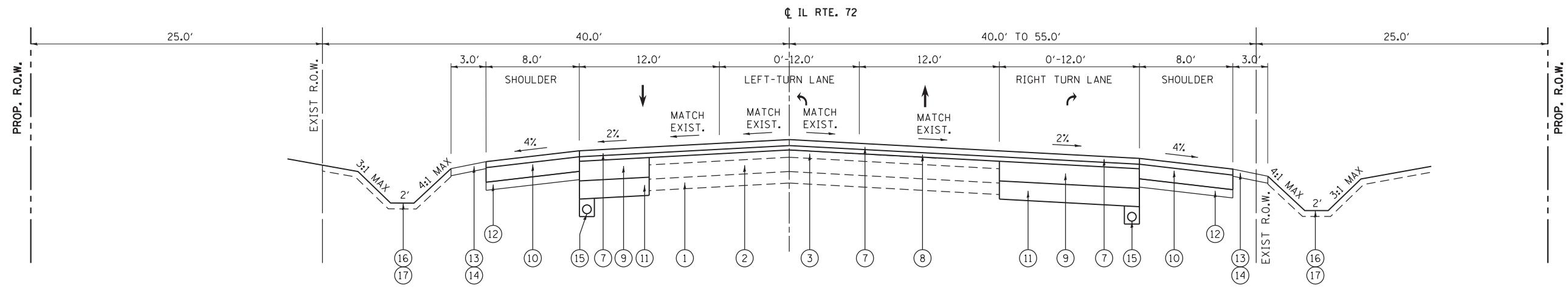


EXISTING TYPICAL SECTION
IL ROUTE 72
 STA. 30+03 TO STA. 40+40
 (LOOKING WEST)

NOTE: THE CONTRACTOR SHALL PATCH PRIOR TO MILLING.

2 1/2" HMA PAVEMENT SURFACE REMOVAL



PROPOSED TYPICAL SECTION
IL ROUTE 72
 STA. 30+03 TO STA. 40+40
 (LOOKING WEST)

LEGEND

- | | |
|---|---|
| ① EXISTING AGGREGATE SUBGRADE | ⑩ PROPOSED HOT-MIX ASPHALT SHOULDER, 8" |
| ② EXISTING P.C.C. PAVEMENT, VARIES 7.75" TO 8.50" | ⑪ PROPOSED AGGREGATE SUBGRADE IMPROVEMENT, 12" |
| ③ EXISTING H.M.A. PAVEMENT, VARIES 8.00" TO 15.25" | ⑫ PROPOSED AGGREGATE BASE COURSE, TYPE B, 4" |
| ④ PROPOSED H.M.A. PAVEMENT SURFACE REMOVAL, 2 1/2" | ⑬ PROPOSED AGGREGATE SHOULDERS, TYPE B, 6" |
| ⑤ EXISTING AGGREGATE SHOULDER | ⑭ PROPOSED GRADING AND SHAPING SHOULDERS |
| ⑥ EXISTING DITCH / GRADELINE | ⑮ PROPOSED PIPE UNDERDRAINS 6" |
| ⑦ PROPOSED POLYMERIZED HOT-MIX ASPHALT SURFACE COURSE, MIX "F", N90 (IL 9.5 mm), 1 3/4" | ⑯ PROPOSED TOPSOIL FURNISH AND PLACE, 6" |
| ⑧ PROPOSED POLYMERIZED LEVELING BINDER (MACHINE METHOD), IL-4.75, N50, 3/4" | ⑰ PROPOSED SEEDING, CLASS 2A, CLASS 4B & CLASS 4 (MODIFIED) SEE LANDSCAPING PLANS FOR LOCATIONS |
| ⑨ PROPOSED HOT-MIX ASPHALT BASE COURSE WIDENING, 8 1/2" | |

FILE NAME =	USER NAME = chr15fish	DESIGNED - BA	REVISED -	STATE OF ILLINOIS DEPARTMENT OF TRANSPORTATION	EXISTING AND PROPOSED TYPICAL SECTION - NORTH JUNCTION IL ROUTE 72 (EAST LEG)			F.A.P. RTE.	SECTION	COUNTY	TOTAL SHEETS	SHEET NO.
	Default	PLOT SCALE = 10.0000" / in.	DRAWN - BA					REVISED -	345	106-S-N-1	KANE	167
	PLOT DATE = 4/1/2014	CHECKED - WK	REVISED -		SCALE: N.T.S.	SHEET 2	OF 4 SHEETS	STA.	TO STA.	CONTRACT NO. 60T10		
		DATE - 3/31/14	REVISED -		ILLINOIS FED. AID PROJECT							