

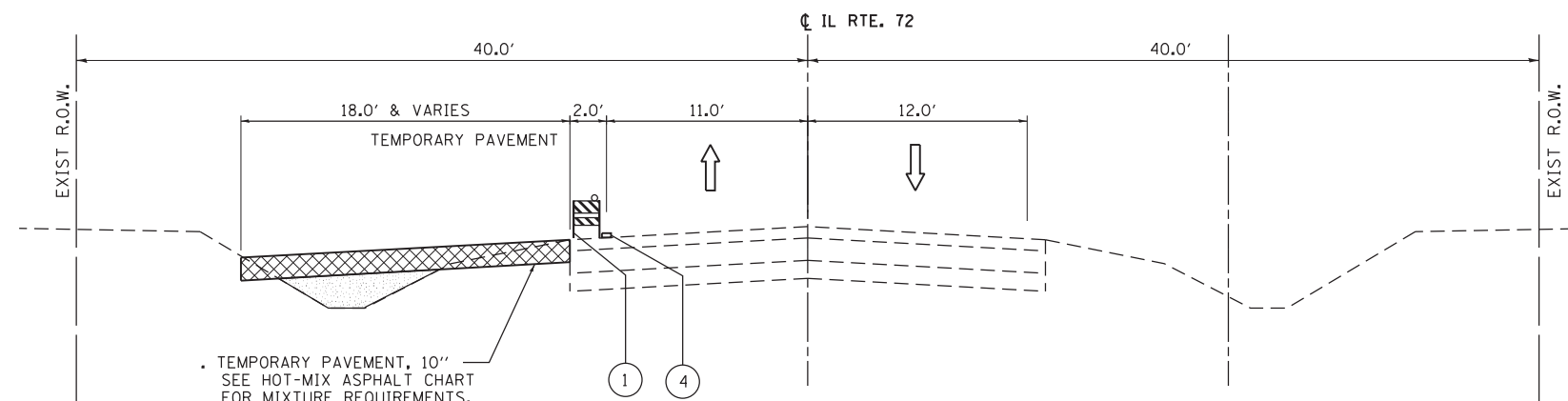
TEMPORARY PAVEMENT, 10"
SEE HOT-MIX ASPHALT CHART
FOR MIXTURE REQUIREMENTS.

TEMPORARY PAVEMENT WIDTH
AND LOCATIONS VARIES, SEE
MAINTENANCE OF TRAFFIC
PLANS FOR DETAILS

M.O.T. TYPICAL SECTION – STAGE 1

U.S. ROUTE 20

STA. 17+84 TO STA. 30+03
(LOOKING EAST)



TEMPORARY PAVEMENT, 10"
SEE HOT-MIX ASPHALT CHART
FOR MIXTURE REQUIREMENTS.

TEMPORARY PAVEMENT WIDTH
AND LOCATIONS VARIES, SEE
MAINTENANCE OF TRAFFIC
PLANS FOR DETAILS

M.O.T. TYPICAL SECTION – STAGE 1

IL ROUTE 72

STA. 30+03 TO STA. 40+40
(LOOKING EAST)

LEGEND

- ① TYPE II BARRICADE OR DOUBLE VERTICAL PANEL WITH STEADY BURN BI-DIRECTIONAL LIGHT @ 25' C-C
- ② EXISTING 4" DOUBLE SOLID YELLOW (11" C-C)
- ③ TEMPORARY PAVEMENT MARKING - LINE 6" (WHITE)
- ④ TEMPORARY PAVEMENT MARKING - LINE 4" (WHITE)
- ⑤ TEMPORARY CONCRETE BARRIER

← DIRECTION OF TRAFFIC

▨ WORK ZONE

▩ TEMPORARY PAVEMENT

NOTES

1. PRIOR TO INSTALLING POST MOUNTED SIGNS, THE CONTRACTOR SHALL CONTACT J.U.L.I.E.
2. SEE STAGING PLAN AND STANDARD 701422 FOR ADDITIONAL INFORMATION.

FILE NAME =	USER NAME = chr1sf1sh	DESIGNED - MTM	REVISED -	STATE OF ILLINOIS DEPARTMENT OF TRANSPORTATION	SUGGESTED MAINTENANCE OF TRAFFIC STAGE 1 TYPICAL SECTION – NORTH JUNCTION	F.A.P. RTE.	SECTION	COUNTY	TOTAL SHEETS	SHEET NO.
	Default	PLOT SCALE = 10.0000' / in.	CHECKED - BA			REVISED -	345	106-S-N-1	KANE	167
	PLOT DATE = 4/1/2014	DATE - 3/31/14	REVISED -		SCALE: N.T.S.	SHEET 1	OF 6 SHEETS	STA.	TO STA.	ILLINOIS FED. AID PROJECT CONTRACT NO. 60T10