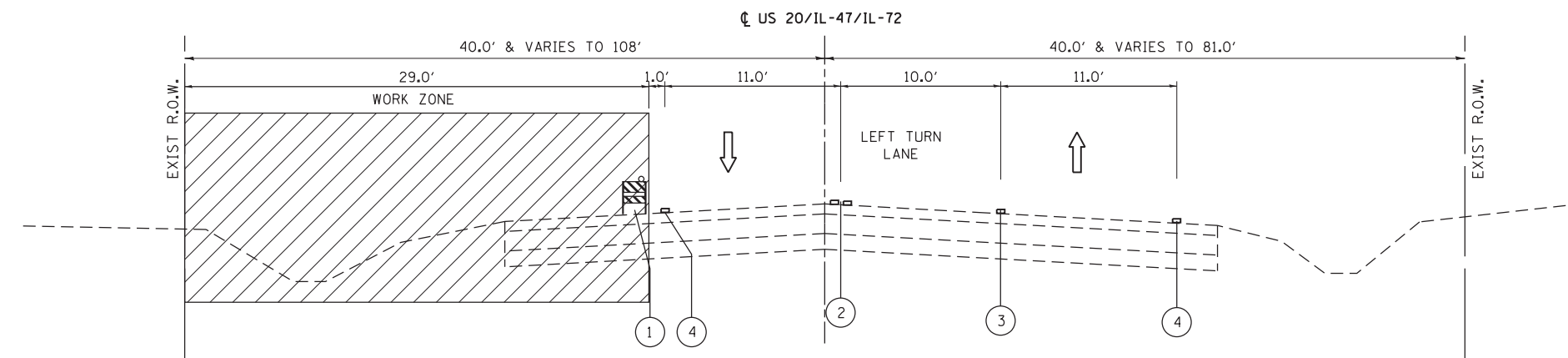


**M.O.T. TYPICAL SECTION – STAGE 2**  
**U.S. ROUTE 20 /IL ROUTE 47 /IL ROUTE 72**

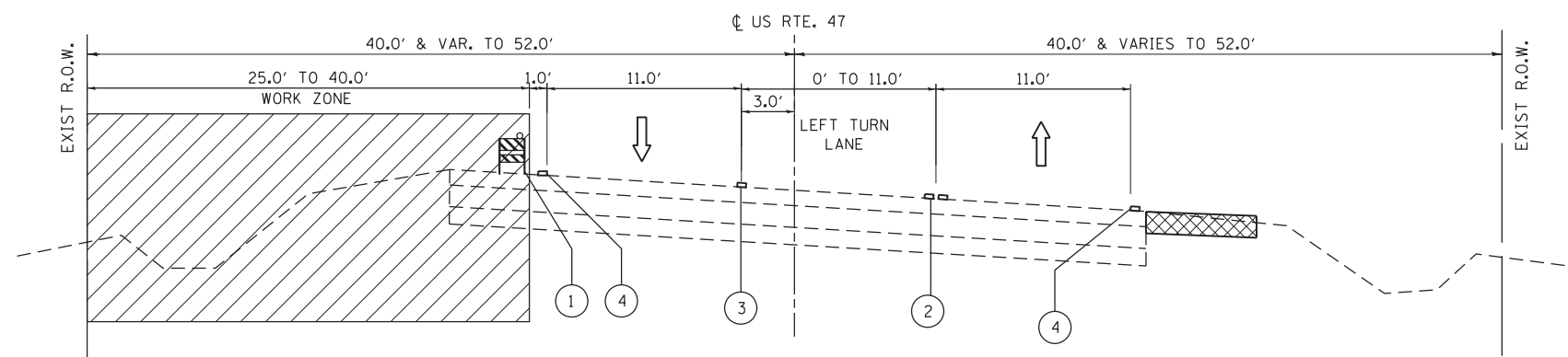
\* TEMPORARY CONCRETE BARRIER LOCATED BETWEEN STA. 137+50 TO 139+40

STA. 129+00 TO STA. 144+97.9  
 (LOOKING NORTH)



**M.O.T. TYPICAL SECTION – STAGE 2**  
**U.S. ROUTE 20 /IL ROUTE 47 /IL ROUTE 72**

AT INTERSECTION  
 (LOOKING NORTH)



**M.O.T. TYPICAL SECTION STAGE 2**  
**IL ROUTE 47**

STA. 144+98 TO STA. 154+46  
 TEMPORARY PAVEMENT STA. 149+00 TO STA. 156+00  
 (LOOKING NORTH)

**LEGEND**

- ① TYPE II BARRICADE OR DOUBLE VERTICAL PANEL WITH STEADY BURN BI-DIRECTIONAL LIGHT @ 25' C-C
- ② TEMPORARY PAVEMENT MARKING - LINE 4" (DOUBLE YELLOW 11" C-C)
- ③ TEMPORARY PAVEMENT MARKING - LINE 6" (WHITE)
- ④ TEMPORARY PAVEMENT MARKING - LINE 4" (WHITE)
- ⑤ TEMPORARY CONCRETE BARRIER
- ← DIRECTION OF TRAFFIC
- ▨ WORK ZONE
- ▩ TEMPORARY PAVEMENT

**NOTES**

1. PRIOR TO INSTALLING POST MOUNTED SIGNS, THE CONTRACTOR SHALL CONTACT J.U.L.I.E.
2. SEE STAGING PLAN AND STANDARD 701422 FOR ADDITIONAL INFORMATION.

FILE NAME =	USER NAME = chr1sf1sh	DESIGNED - MTM	REVISED -	<b>STATE OF ILLINOIS DEPARTMENT OF TRANSPORTATION</b>	<b>SUGGESTED MAINTENANCE OF TRAFFIC STAGE 2 TYPICAL SECTION – NORTH JUNCTION</b>			F.A.P. RTE. 345	SECTION 106-S-N-1	COUNTY KANE	TOTAL SHEETS 167	SHEET NO. 37
Default	PLOT SCALE = 10.0000' / in.	DRAWN - MTM	REVISED -		SCALE: N.T.S.	SHEET 4	OF 6 SHEETS	STA.	TO STA.	<b>CONTRACT NO. 60T10</b>		
	PLOT DATE = 4/1/2014	CHECKED - BA	REVISED -							ILLINOIS FED. AID PROJECT		
		DATE - 3/31/14	REVISED -									