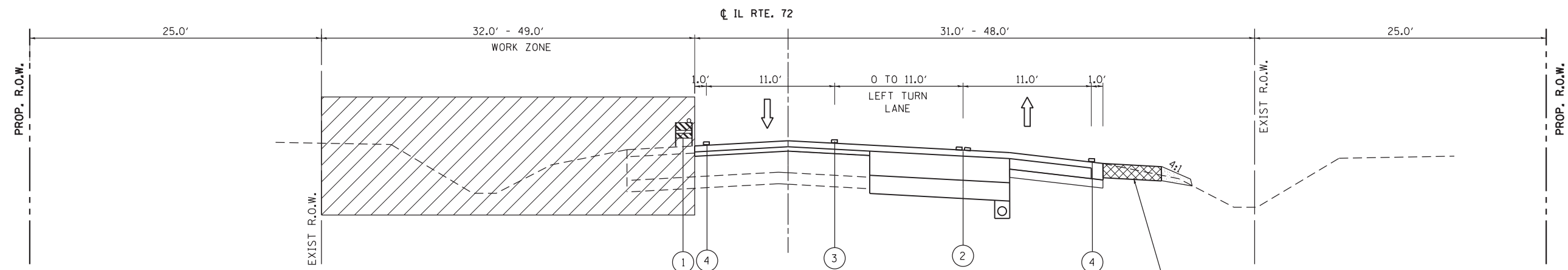


**M.O.T. TYPICAL SECTION – STAGE 3**  
**U.S. ROUTE 20**

STA. 17+84 TO STA. 30+03  
 (LOOKING EAST)



**M.O.T. TYPICAL SECTION – STAGE 3**  
**IL ROUTE 72**

STA. 30+03 TO STA. 40+40  
 (LOOKING WEST)

\* TEMPORARY CONCRETE BARRIER LOCATED  
 BETWEEN STA. 35+00 TO 37+25

TEMPORARY PAVEMENT, 10"  
 SEE HOT-MIX ASPHALT CHART  
 FOR MIXTURE REQUIREMENTS.

TEMPORARY PAVEMENT WIDTH  
 AND LOCATIONS VARIES, SEE  
 MAINTENANCE OF TRAFFIC  
 PLANS FOR DETAILS

**NOTES**

1. PRIOR TO INSTALLING POST MOUNTED SIGNS, THE CONTRACTOR SHALL CONTACT J.U.L.I.E.
2. SEE STAGING PLAN AND STANDARD 701326 FOR ADDITIONAL INFORMATION.
3. IN ORDER TO MAINTAIN THE LEFT-TURN MOVEMENT THE RESURFACING OF THE EXISTING PAVEMENT FOR THE STORAGE AND TAPER OF THE LEFT-TURN LANES FOR ALL FOUR LEGS OF THE INTERSECTION NAMELY US-20, IL-47, IL-72 AND US-20/IL-47/IL-72 WILL HAVE TO BE STAGED SEPARATELY.

**LEGEND**

- ① TYPE II BARRICADE OR DOUBLE VERTICAL PANEL WITH STEADY BURN BI-DIRECTIONAL LIGHT @ 25' C-C
- ② TEMPORARY PAVEMENT MARKING - LINE 4" (DOUBLE YELLOW 11" C-C)
- ③ TEMPORARY PAVEMENT MARKING - LINE 6" (WHITE)
- ④ TEMPORARY PAVEMENT MARKING - LINE 4" (WHITE)
- ⑤ TEMPORARY CONCRETE BARRIER

← DIRECTION OF TRAFFIC

▨ WORK ZONE

FILE NAME =	USER NAME = chr1sf1sh	DESIGNED - MTM	REVISED -	<b>STATE OF ILLINOIS DEPARTMENT OF TRANSPORTATION</b>	<b>SUGGESTED MAINTENANCE OF TRAFFIC STAGE 3 TYPICAL SECTION – NORTH JUNCTION</b>	F.A.P. RTE.	SECTION	COUNTY	TOTAL SHEETS	SHEET NO.	
Default	PLOT SCALE = 10.0000' / in.	DRAWN - MTM	REVISED -			345	106-S-N-1	KANE	167	38	
	PLOT DATE = 4/1/2014	CHECKED - BA	REVISED -			CONTRACT NO. 60T10					
		DATE - 3/31/14	REVISED -			SCALE: N.T.S.	SHEET 5 OF 6 SHEETS	STA.	TO STA.	ILLINOIS FED. AID PROJECT	