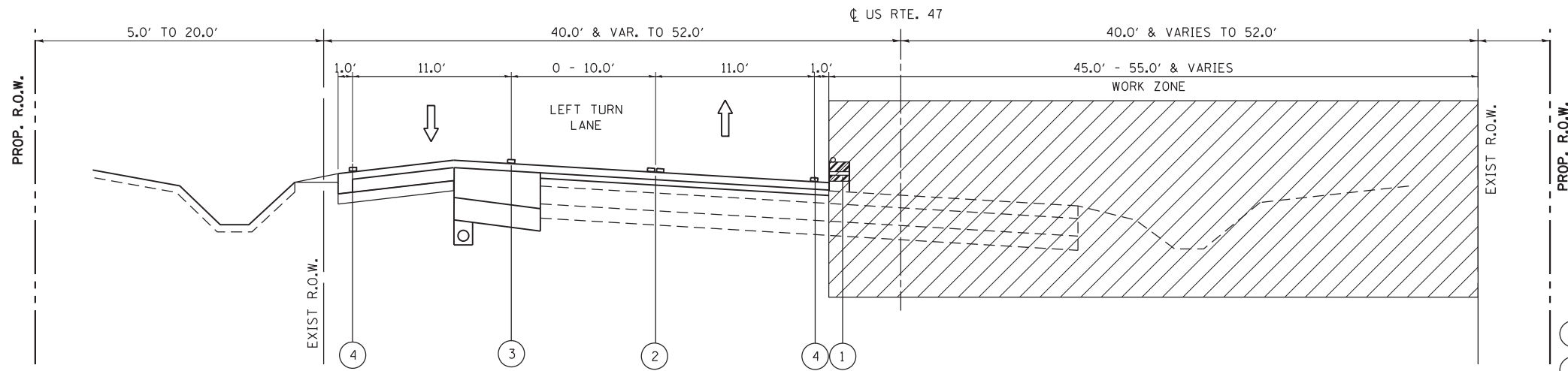


M.O.T. TYPICAL SECTION – STAGE 3
U.S. ROUTE 20 /IL ROUTE 47 /IL ROUTE 72

STA. 129+00 TO STA. 144+97.9
 (LOOKING NORTH)

* TEMPORARY CONCRETE BARRIER LOCATED
 BETWEEN STA. 137+50 TO 139+00



M.O.T. TYPICAL SECTION – STAGE 3
IL ROUTE 47

STA. 144+98 TO STA. 154+46
 (LOOKING NORTH)

LEGEND

- ① TYPE II BARRICADE OR DOUBLE VERTICAL PANEL WITH STEADY BURN BI-DIRECTIONAL LIGHT @ 25' C-C
- ② TEMPORARY PAVEMENT MARKING - LINE 4" (DOUBLE YELLOW 11" C-C)
- ③ TEMPORARY PAVEMENT MARKING - LINE 6" (WHITE)
- ④ TEMPORARY PAVEMENT MARKING - LINE 4" (WHITE)
- ⑤ TEMPORARY CONCRETE BARRIER
- ← DIRECTION OF TRAFFIC
- ▨ WORK ZONE

NOTES

1. PRIOR TO INSTALLING POST MOUNTED SIGNS, THE CONTRACTOR SHALL CONTACT J.U.L.I.E.
2. SEE STAGING PLAN AND STANDARD 701326 FOR ADDITIONAL INFORMATION.
3. IN ORDER TO MAINTAIN THE LEFT-TURN MOVEMENT THE RESURFACING OF THE EXISTING PAVEMENT FOR THE STORAGE AND TAPER OF THE LEFT-TURN LANES FOR ALL FOUR LEGS OF THE INTERSECTION NAMELY US-20, IL-47, IL-72 AND US-20/IL-47/IL-72 WILL HAVE TO BE STAGED SEPARATELY.

FILE NAME =	USER NAME = chr1sf1sh	DESIGNED - MTM	REVISED -	STATE OF ILLINOIS DEPARTMENT OF TRANSPORTATION	SUGGESTED MAINTENANCE OF TRAFFIC STAGE 3 TYPICAL SECTION – NORTH JUNCTION	F.A.P. RTE.	SECTION	COUNTY	TOTAL SHEETS	SHEET NO.
	Default	PLOT SCALE = 10.0000' / in.	DRAWN - MTM			REVISED -	345	106-S-N-1	KANE	167
	PLOT DATE = 4/1/2014	CHECKED - BA	REVISED -	SCALE: N.T.S.	SHEET 6 OF 6 SHEETS	STA.	TO STA.	CONTRACT NO. 60T10		
		DATE - 3/31/14	REVISED -					ILLINOIS FED. AID PROJECT		