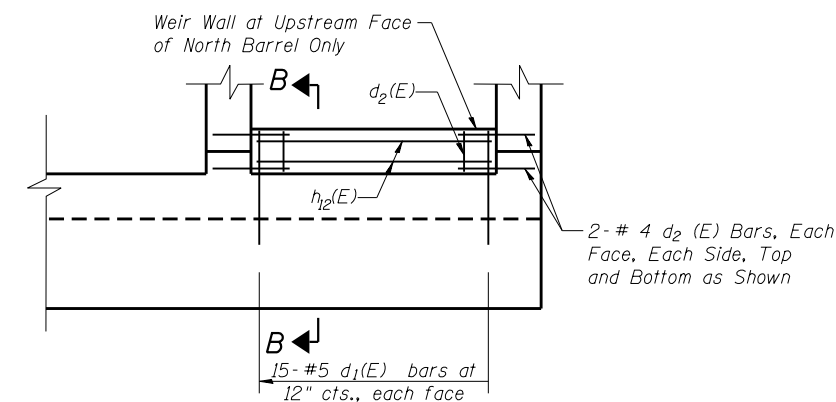
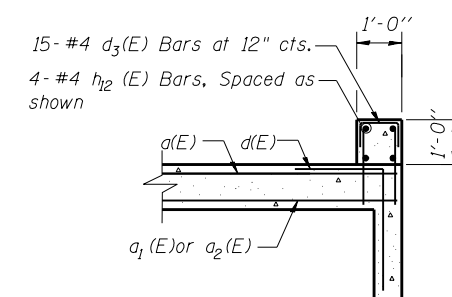


UPSTREAM END ELEVATION



DETAIL A - WIER WALL

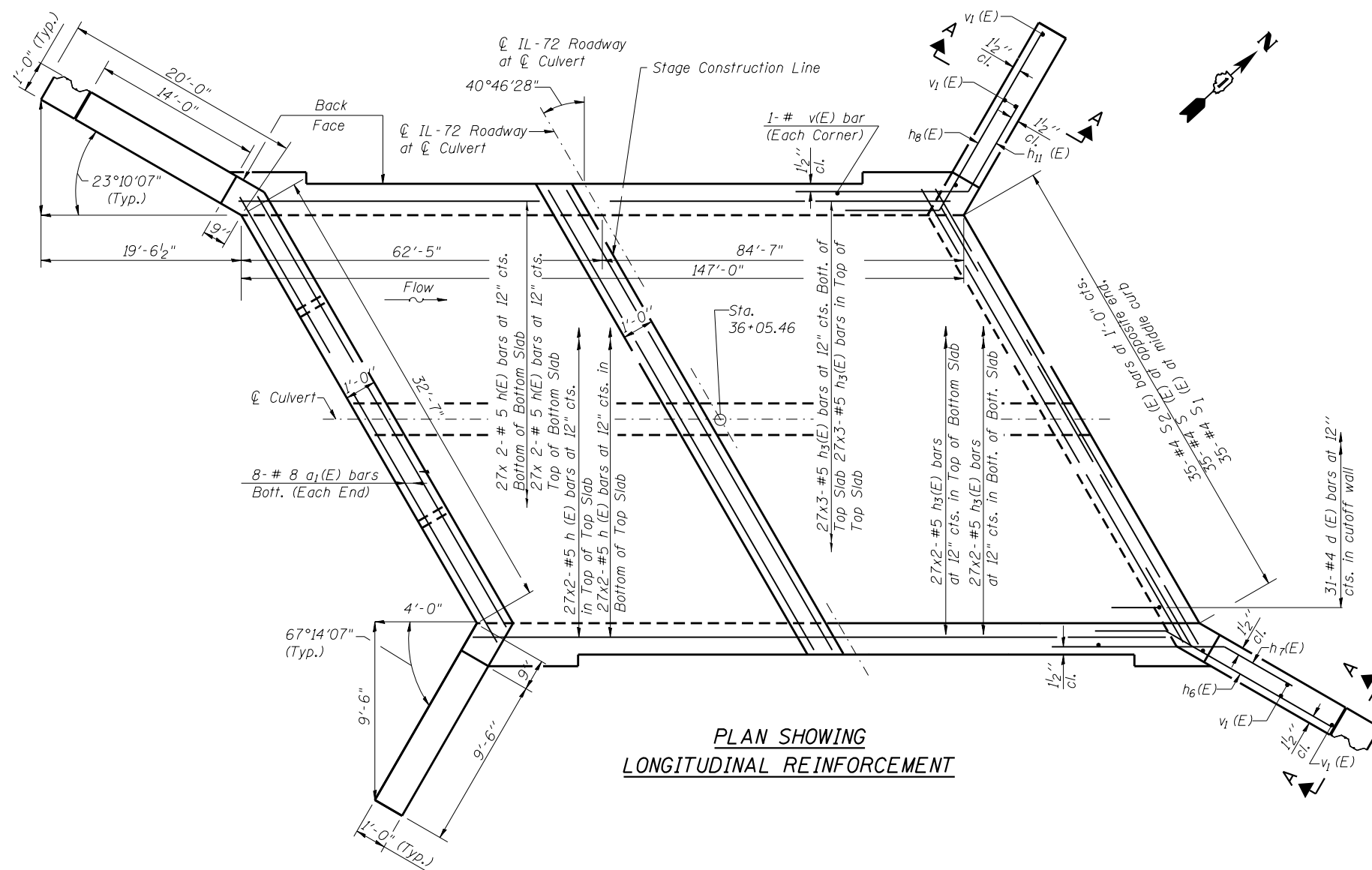


SECTION B-B

- Notes:
- See Sheet S1 for Total Bill of Material.
 - See Sheet S2 for Notes.
 - Work this Sheet with Sheet S4.
 - See Sheet S6 for Bill of Material.

MINIMUM BAR LAP

- (Slab)
- #4 Bar = 2'-7"
 - #5 Bar = 3'-3"
 - #6 Bar = 3'-10"
 - #7 Bar = 5'-2"



PLAN SHOWING LONGITUDINAL REINFORCEMENT

PLOT DATE = \$DATE\$
FILE NAME = \$FILEL\$

USER NAME =	DESIGNED - MBC	REVISED -
PLOT SCALE =	DRAWN - SSR	REVISED -
PLOT DATE =	CHECKED - GFP	REVISED -
FILE NAME =	DATE - 5/12/14	REVISED -



STATE OF ILLINOIS
DEPARTMENT OF TRANSPORTATION

CULVERT PLAN, TOP SLAB, BOTTOM SLAB ELEVATIONS AND DETAILS
STRUCTURE NO. 045-2041

SHEET NO. S5 OF S9 SHEETS

F.A.P. RTE.	SECTION	COUNTY	TOTAL SHEETS	SHEET NO.
345	106-S-N-1	KANE	167	99
CONTRACT NO. 60T10				
FED. ROAD DIST. NO. 1 ILLINOIS FED. AID PROJECT				