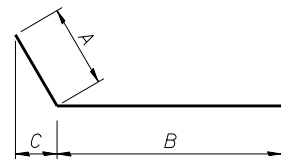


NOTCH DETAIL

LONGITUDINAL SECTION

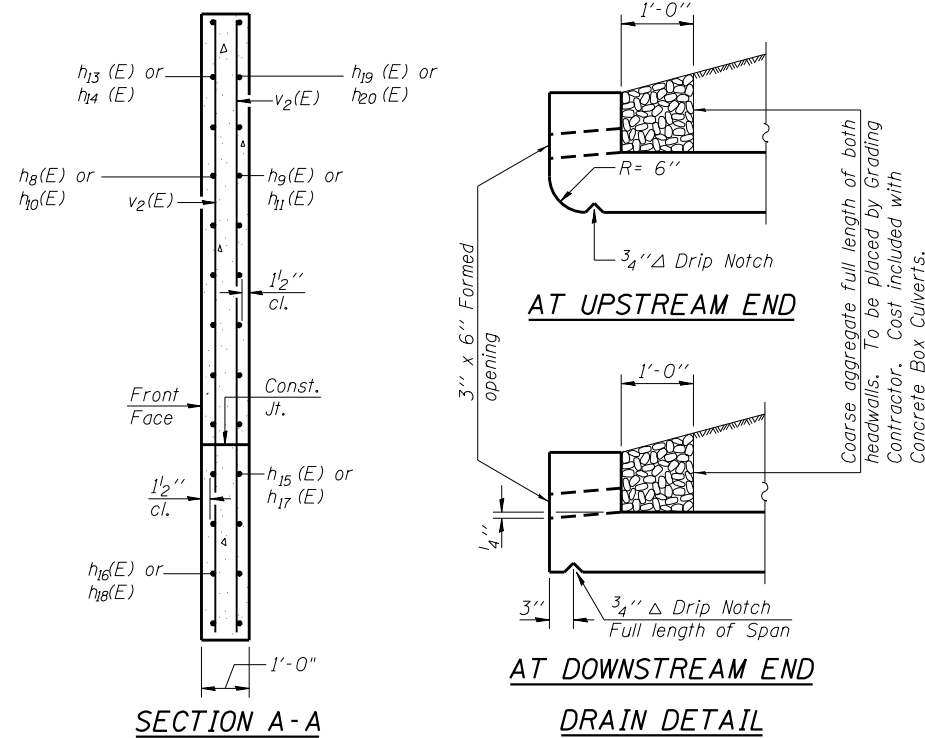
PHOEBE NESTING SITE

(Near downstream end)



BARS h8(E) Thru h11(E), and h15(E) Thru h20(E)

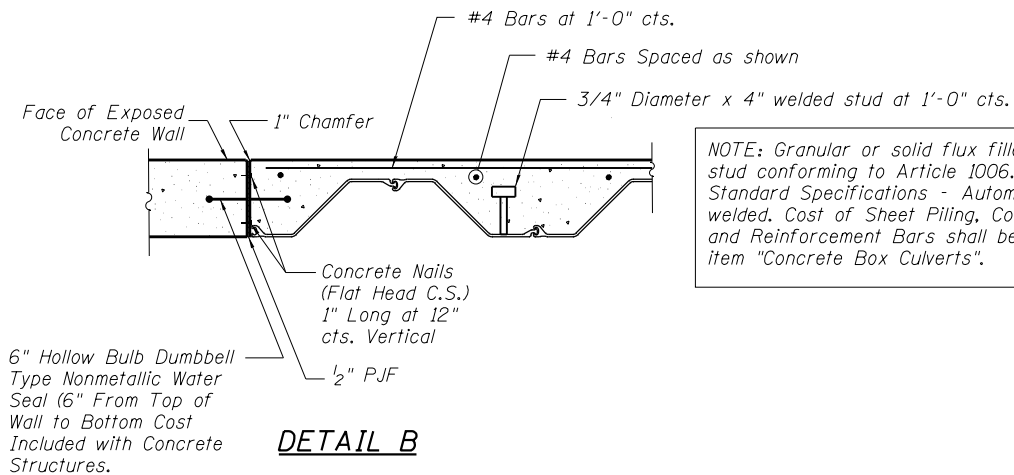
Bar	A	B	C
h8(E)	3'-0"	5'-0"	1'-3"
h9(E)	3'-0"	14'-6"	2'-9"
h10(E)	3'-0"	5'-0"	2'-9"
h11(E)	3'-0"	10'-0"	1'-3"
h15(E)	3'-0"	14'-6"	2'-9"
h16(E)	3'-0"	14'-0"	2'-9"
h17(E)	3'-0"	10'-0"	1'-3"
h18(E)	3'-0"	9'-6"	1'-3"
h19(E)	3'-0"	14'-6"	2'-9"
h20(E)	3'-0"	10'-6"	1'-3"



AT UPSTREAM END

AT DOWNSTREAM END

DRAIN DETAIL

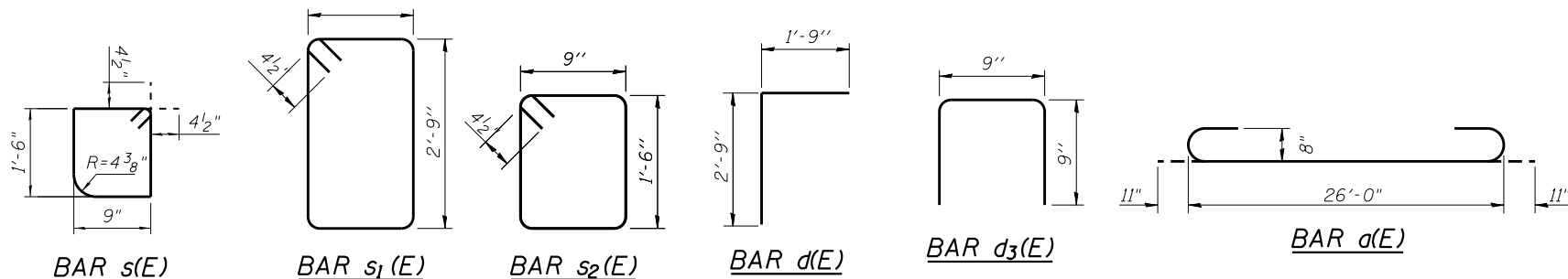


DETAIL B

NOTE: Granular or solid flux filled headed stud conforming to Article 1006.32 of the Standard Specifications - Automatically end welded. Cost of Sheet Piling, Concrete, Studs and Reinforcement Bars shall be included in item "Concrete Box Culverts".

BILL OF MATERIAL

Bar	No.	Size	Length	Shape
a (E)	440	#7	27'-10"	
a1 (E)	336	#8	12'-0"	
a2 (E)	404	#4	8'-3"	
d (E)	66	#4	4'-6"	
d1 (E)	30	#5	2'-5"	
d2 (E)	8	#5	1'-6"	
d3 (E)	15	#4	2'-3"	
h (E)	216	#5	30'-4"	
h2 (E)	60	#5	30'-4"	
h3 (E)	324	#5	30'-0"	
h5 (E)	60	#5	30'-0"	
h6 (E)	6	#8	34'-4"	
h7 (E)	6	#7	34'-4"	
h8 (E)	32	#6	8'-0"	
h9 (E)	32	#6	17'-6"	
h10 (E)	32	#7	8'-0"	
h11 (E)	32	#7	13'-0"	
h13 (E)	24	#4	9'-3"	
h14 (E)	24	#4	13'-9"	
h15 (E)	10	#7	17'-6"	
h16 (E)	10	#7	17'-0"	
h17 (E)	10	#7	13'-0"	
h18 (E)	10	#6	12'-6"	
h19 (E)	6	#7	17'-6"	
h20 (E)	6	#6	13'-0"	
v (E)	588	#5	8'-8"	
v1 (E)	4	#5	8'-9"	
v2 (E)	100	#4	11'-6"	
s (E)	35	#4	5'-3"	
s1 (E)	35	#4	7'-9"	
s2 (E)	35	#4	5'-3"	
Concrete Box Culverts			Cu. Yd.	409.8
Reinforcement Bars, Epoxy Coated			Pound	70,830
Bars Splicers			Each	125



BAR s(E)

BAR s1(E)

BAR s2(E)

BAR d(E)

BAR d3(E)

BAR a(E)

PLOT DATE = \$DATE\$
FILE NAME = \$FILEL\$

USER NAME =	DESIGNED - MBC	REVISED -
PLOT SCALE =	DRAWN - SSR	REVISED -
PLOT DATE =	CHECKED - GFP	REVISED -
FILE NAME =	DATE - 5/12/14	REVISED -



**STATE OF ILLINOIS
DEPARTMENT OF TRANSPORTATION**

**CULVERT SECTIONS AND DETAILS
STRUCTURE NO. 045-2041**

SHEET NO. S6 OF S9 SHEETS

F.A.P. RTE.	SECTION	COUNTY	TOTAL SHEETS	SHEET NO.
345	106-S-N-1	KANE	167	100
CONTRACT NO. 60T10				

FED. ROAD DIST. NO. 1 ILLINOIS FED. AID PROJECT